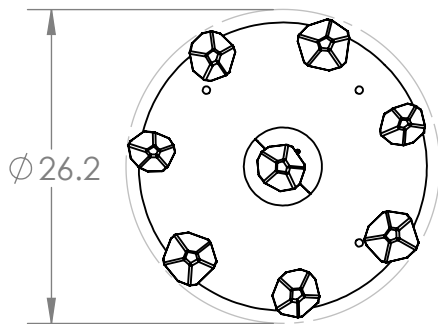
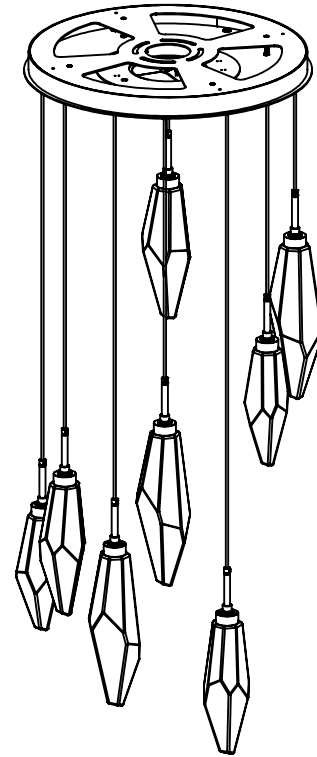
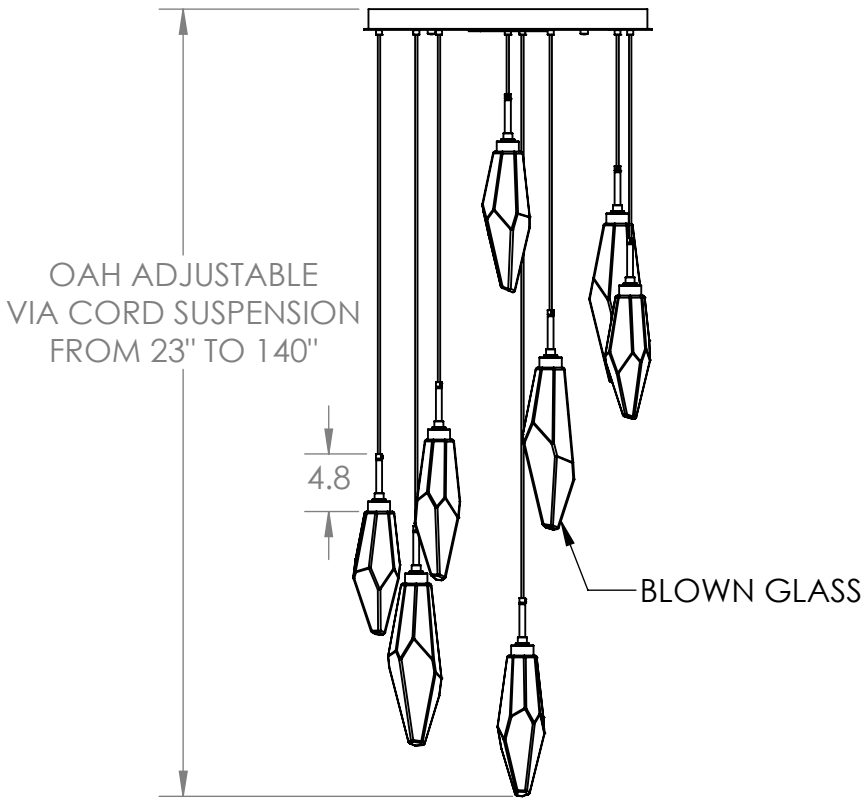
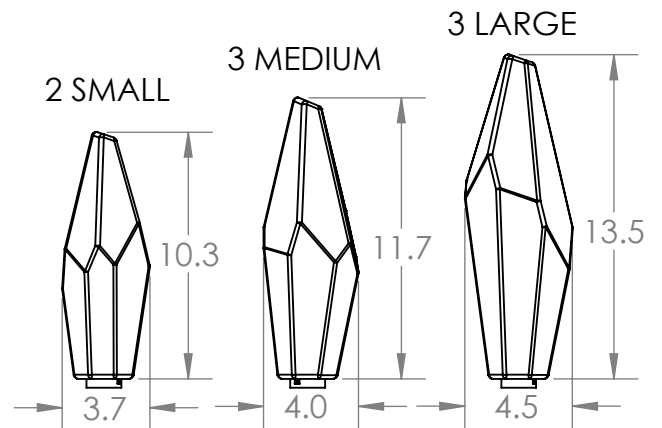


Collection: Rock Crystal

Product #: CHB0050-08



### ROCK CRYSTAL COUNT

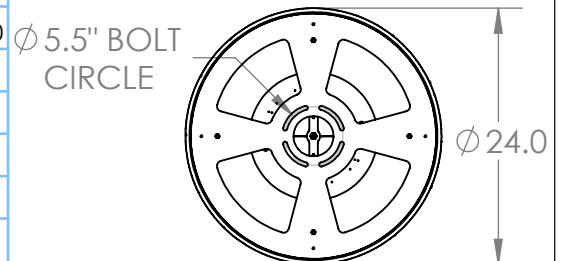


Visit [hammertonstudio.com](http://hammertonstudio.com) for product options and specifications.

1/22/2018 (B)

Mounting Packet: R	Weight(lbs.): 35	Electrical Type: LED	CCT: 2700 K
UL Location: DRY	Elec. Qty:8	Wattage: 41	Voltage: 120
Finish: SEE WEB SITE FOR OPTIONS	Source Lumens: Up: N/A	Down: 2735	
Top Diffuser: CLOSED	Dimmable: Forward/Reverse Phase to 1%		
Bottom Diffuser: CLOSED GLASS	CRI: 93+	Power Factor: >0.9	

### Mounting Detail



All fixtures created by Hammerton are handcrafted by artisans. Dimensions may vary up to 7/8".  
 © Copyright 2017. All rights in design, detail or invention of this drawing are reserved as the property of Hammerton. Any imitation or adaptation without written consent is strictly prohibited.