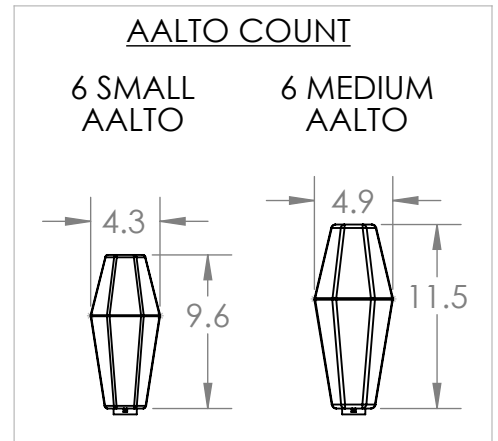
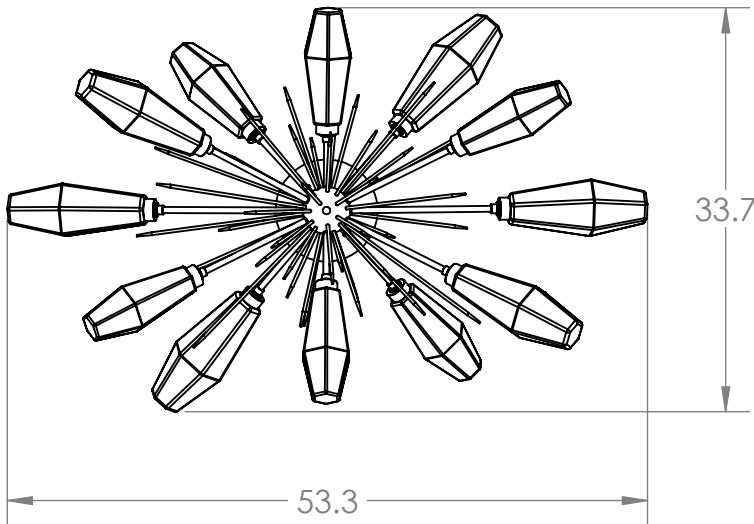
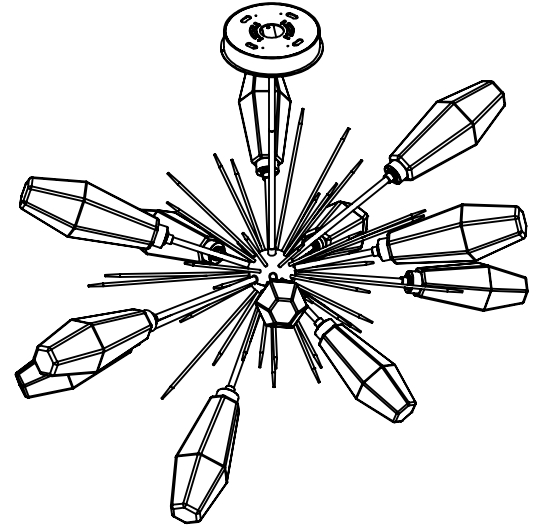
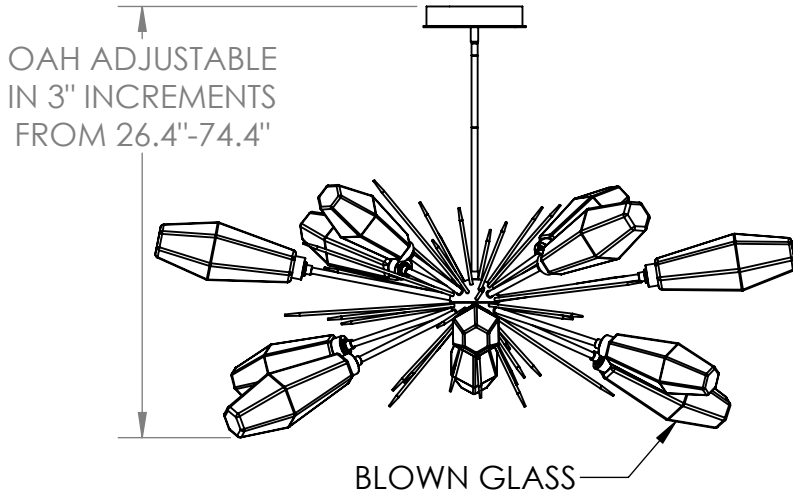


Collection: Aalto

Product #: PLB0049-0A



Visit [hammertonstudio.com](http://hammertonstudio.com) for product options and specifications.

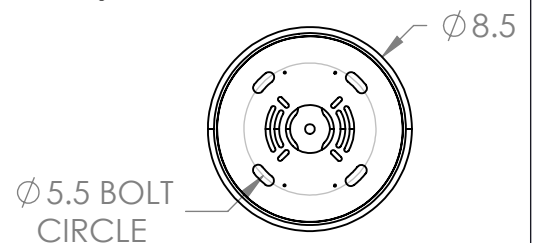
1/5/2018 (B)

Mounting Packet: Z	Weight(lbs.): 55	Electrical Type: LED	CCT: 2700 K
UL Location: DRY		Elec. Qty: 12	Wattage: 21 Voltage: 120
Finish: SEE WEB SITE FOR OPTIONS		Source Lumens: 1565	
Top Diffuser: CLOSED GLASS		Dimmable: Forward/Reverse Phase To 1%	
Bottom Diffuser: CLOSED GLASS	CRI: 93+	Power Factor: >0.9	

All fixtures created by Hammerton are handcrafted by artisans. Dimensions may vary up to 7/8".

© Copyright 2016. All rights in design, detail or invention of this drawing are reserved as the property of Hammerton. Any imitation or adaptation without written consent is strictly prohibited.

**Mounting Detail**



**MOUNTS TO BUILDING STRUCTURE**