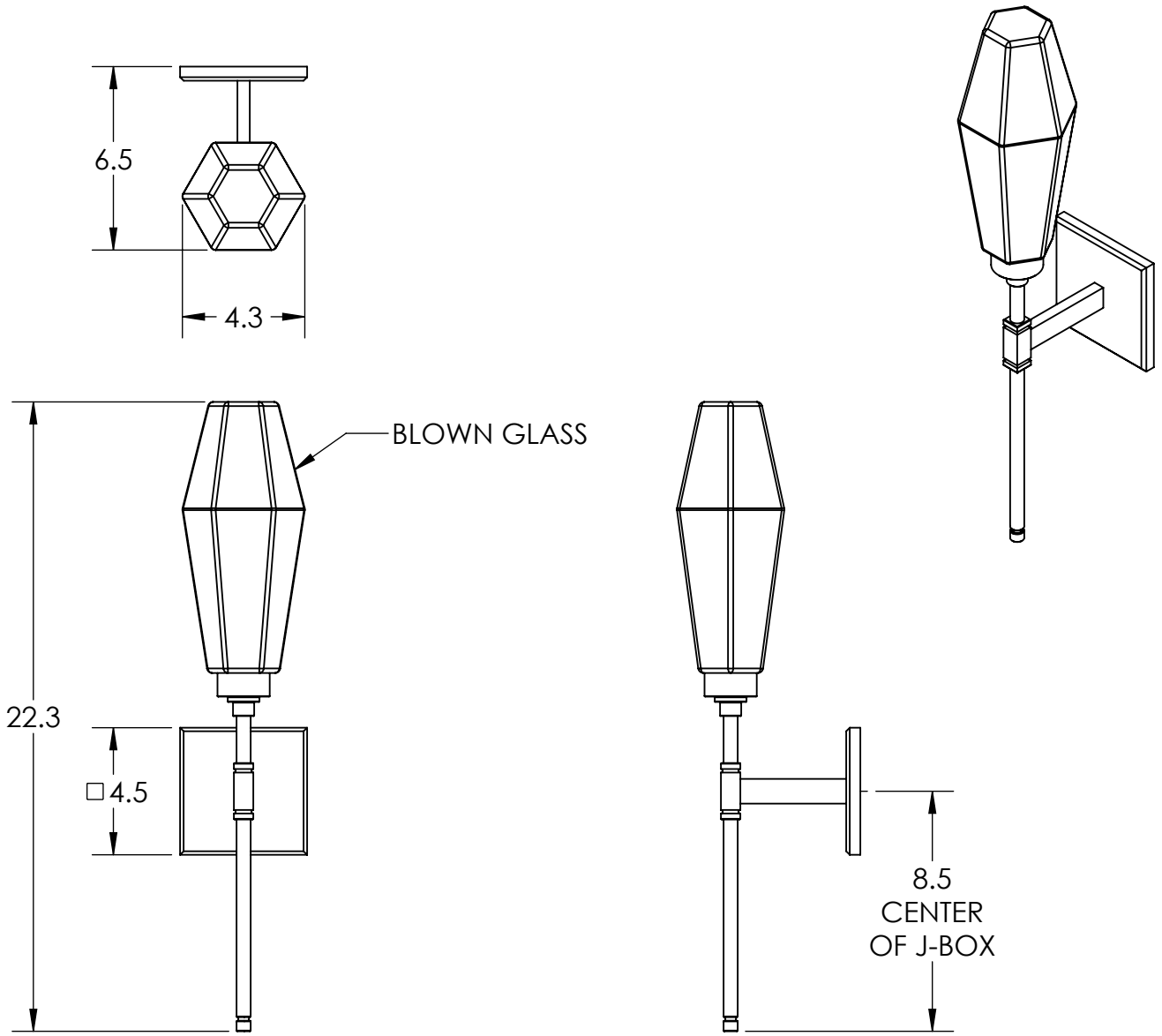


Collection: Aalto

Product #: IDB0049-07



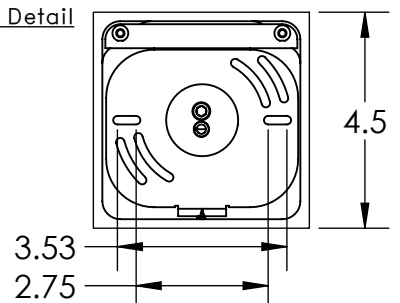
**\*\*NOTE\*\***  
 DRIVER TO BE INSTALLED IN JUNCTION BOX.  
 MINIMUM SIZE J-BOX REQUIRED IS  
 4" L X 4" W X 1.5" D

Visit [hammertonstudio.com](http://hammertonstudio.com) for product options and specifications.

10/17/2017 (A)

|  |  |                      |              |
|--|--|----------------------|--------------|
| Mounting Packet: U   | Weight(lbs.): 4                                | Electrical Type: LED | CCT: 2700 K  |
| UL Location: DRY   | Elec. Qty: 1                                   | Wattage: 5.2         | Voltage: 120 |
| Finish: SEE WEB SITE FOR OPTIONS   | Source Lumens: Up: 340                         | Down: N/A            |              |
| Top Diffuser: CLOSED GLASS   | Dimmable: Forward/Reverse Phase or 0-10V To 1% |                      |              |
| Bottom Diffuser: CLOSED METAL  | CRI: 93+                                       | Power Factor: >0.9   |              |
| All fixtures created by Hammerton are handcrafted by artisans. Dimensions may vary up to 7/8".   |  |                      |              |
| © Copyright 2017. All rights in design, detail or invention of this drawing are reserved as the property of Hammerton. Any imitation or adaptation without written consent is strictly prohibited. |  |                      |              |
| Hammerton Inc. 217 Wright Brothers Dr. Salt Lake City, UT 84116 (801)973-8095  |  |                      |              |

Mounting Detail



MOUNTS DIRECTLY TO J-BOX