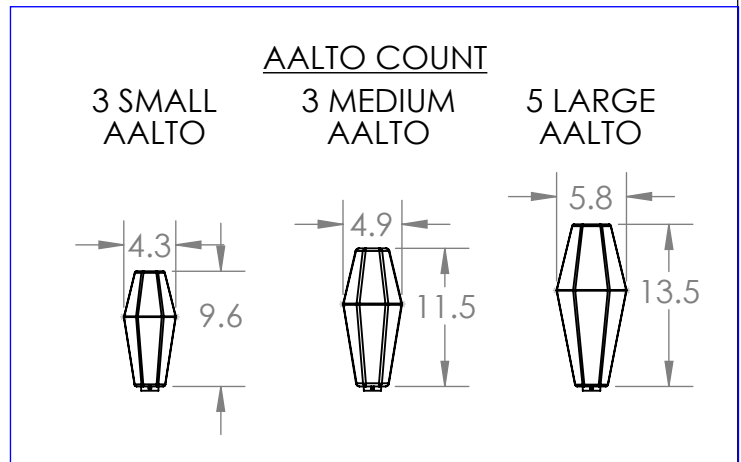
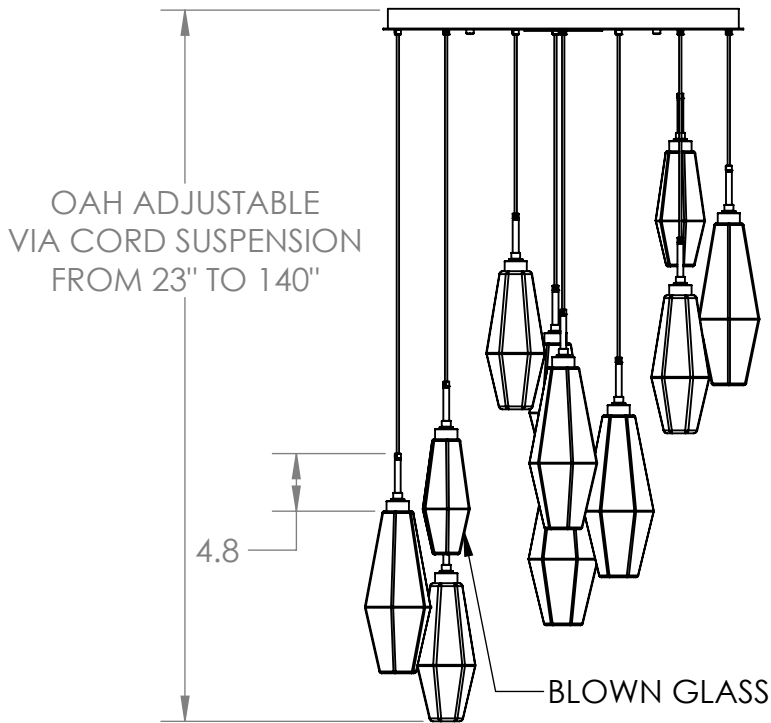


Collection: Aalto

Product #: CHB0049-11

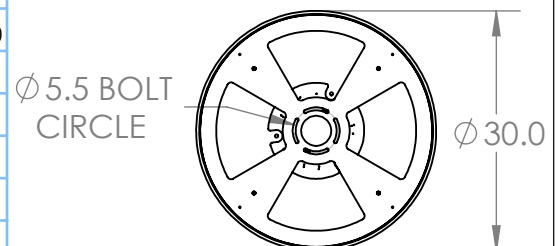


Visit hammertonstudio.com for product options and specifications.

1/5/2018 (B)

| | | | |
|----------------------------------|---------------------------------------|----------------------|--------------|
| Mounting Packet: R | Weight(lbs.): 70 | Electrical Type: LED | CCT: 2700 K |
| UL Location: DRY | Elec. Qty: 11 | Wattage: 57 | Voltage: 120 |
| Finish: SEE WEB SITE FOR OPTIONS | Source Lumens: Up: N/A | Down: 3765 | |
| Top Diffuser: CLOSED | Dimmable: Forward/Reverse Phase to 1% | | |
| Bottom Diffuser: CLOSED GLASS | CRI: 93+ | Power Factor: >0.9 | |

Mounting Detail



All fixtures created by Hammerton are handcrafted by artisans. Dimensions may vary up to 7/8".

© Copyright 2017. All rights in design, detail or invention of this drawing are reserved as the property of Hammerton. Any imitation or adaptation without written consent is strictly prohibited.