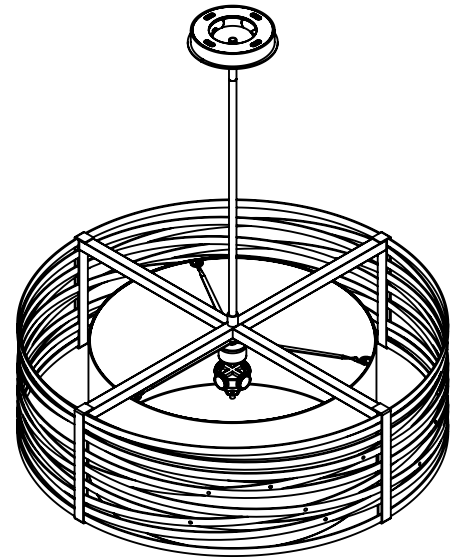
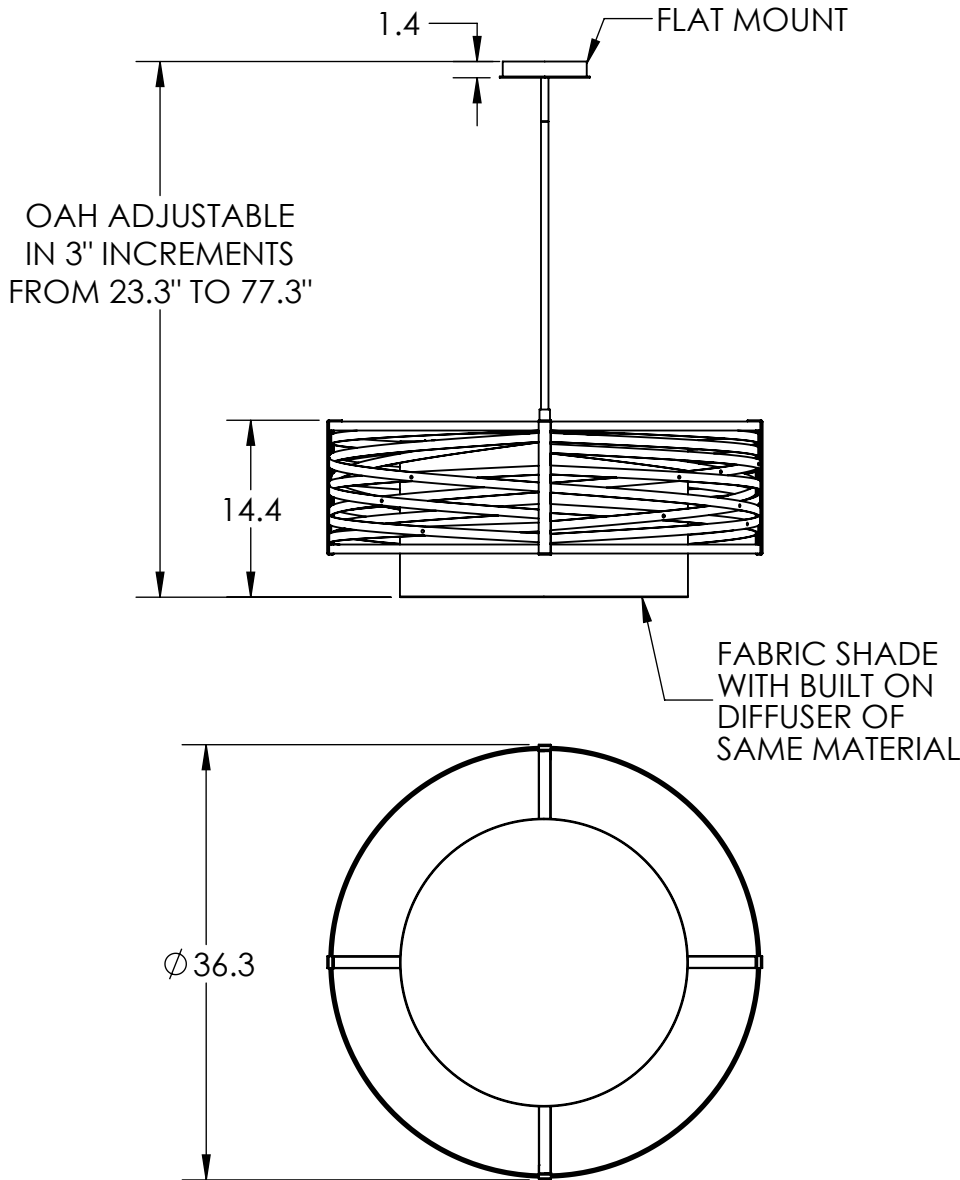


Collection: TEMPEST

Product #: CHB0013-36-SH



ELECTRICAL OPTIONS

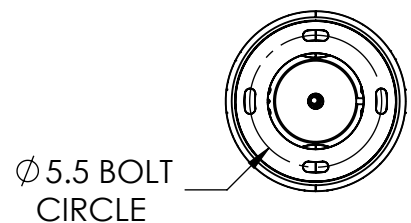
Product #	Electrical Type	Bulb Type	Wattage	Socket Type
CHB0013-36-SH-X-XXX-E2	Incandescent	A19	60	Medium E26
CHB0013-36-SH-X-XXX-G2	Flourescent	CFL/LED RETRO	13	GU-24

Bulbs Not Included Visit hammertonstudio.com for product options and specifications.

4/4/2016 (B)

Mounting Packet: S	Electrical Type: SEE TABLE
Approximate lbs.: 50	Bulb Qty: 4 Bulb Type: SEE TABLE
Finish: SEE WEB SITE FOR OPTIONS	Wattage: SEE TABLE Voltage: 120
Top Diffuser: OPEN	Socket Type: SEE TABLE
Bottom Diffuser: FABRIC	UL Location: DRY

Mounting Detail



All fixtures created by Hammerton are handcrafted by artisans. Dimensions may vary up to 7/8".

© Copyright 2016. All rights in design, detail or invention of this drawing are reserved as the property of Hammerton. Any imitation or adaptation without written consent is strictly prohibited.

Hammerton Inc. 217 Wright Brothers Dr. Salt Lake City, UT 84116 (801)973-8095

MOUNTS TO BUILDING STRUCTURE