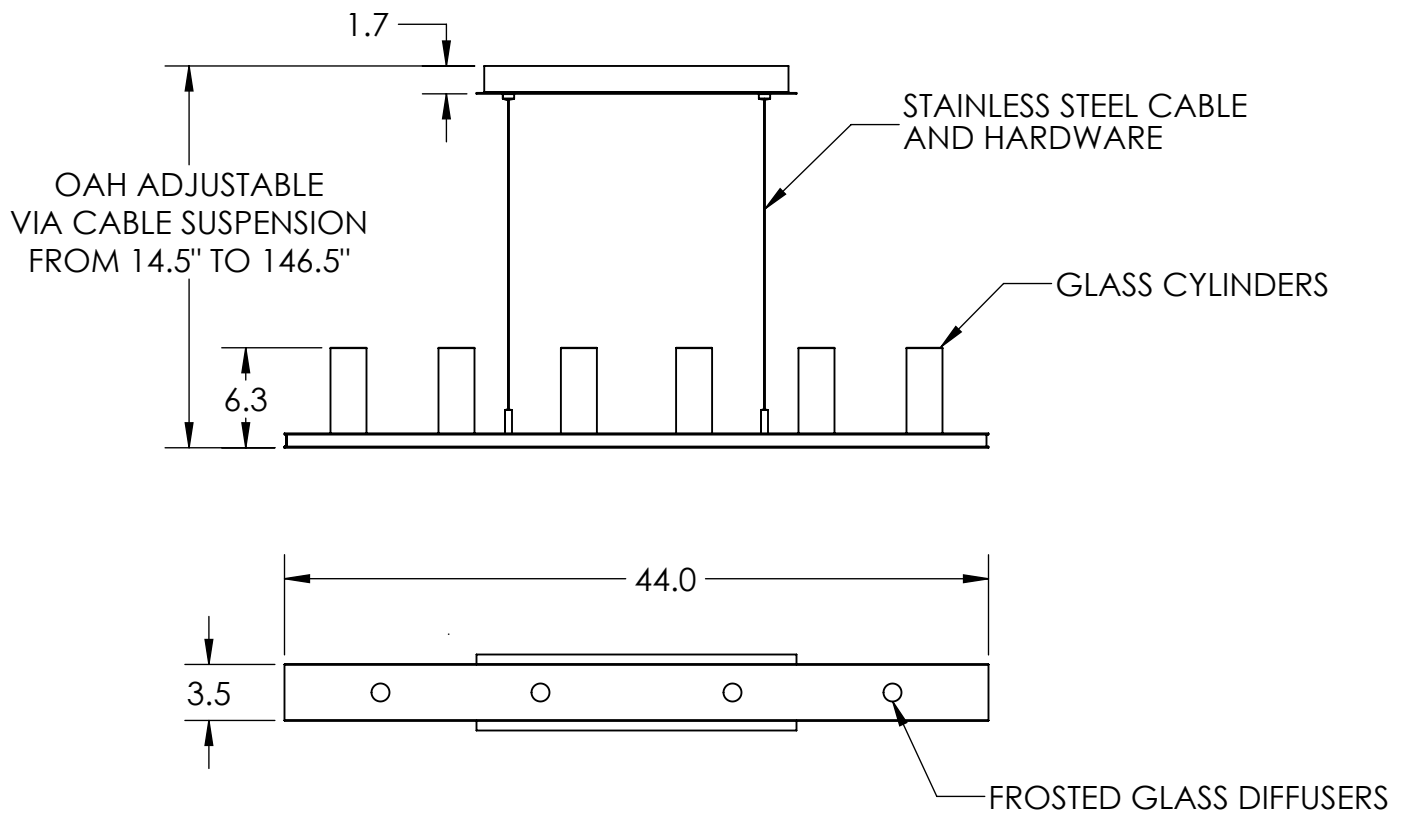
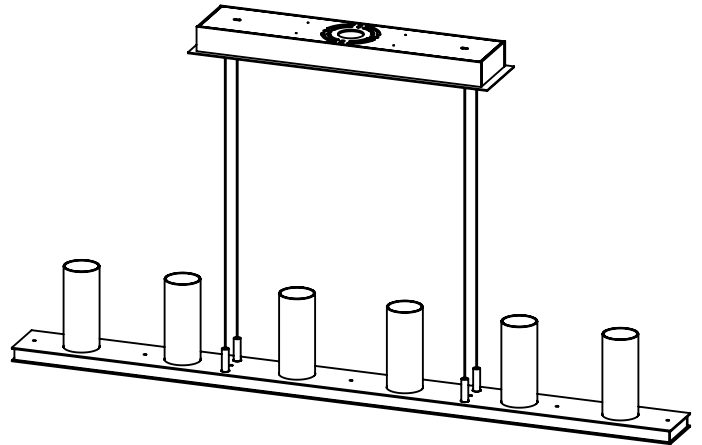


Collection: CARLYLE

Product #: PLB0033-0B



Visit hammertonsstudio.com for product options and specifications.

1/14/2016 A

| | | |
|--|--------------------------------------|--------------------|
| Mounting Packet: X | Electrical Type: LED | CCT: 2700 K |
| Approximate lbs.: 28 | Bulb Qty: 10 | Wattage: 36 |
| Finish: SEE WEB SITE FOR OPTIONS | Source Output: Down: 1370lm | Up: 1075lm |
| Diffusers Top: Open / Bottom: Glass | Forward/Reverse Phase Dimmable To 1% | |
| UL Location: Dry | CRI: 90+ | Power Factor: >0.9 |
| All fixtures created by Hammerton are handcrafted by artisans. Dimensions may vary up to 7/8". | | |
| © Copyright 2015. All rights in design, detail or invention of this drawing are reserved as the property of Hammerton. Any imitation or adaptation without written consent is strictly prohibited. | | |
| Hammerton Inc. 217 Wright Brothers Dr. Salt Lake City, UT 84116 (801)973-8095 | | |

