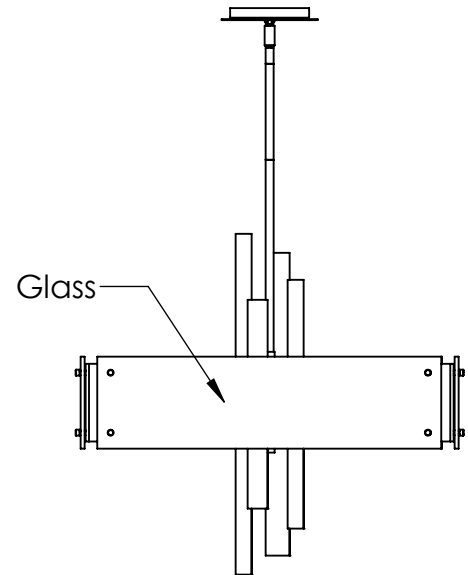
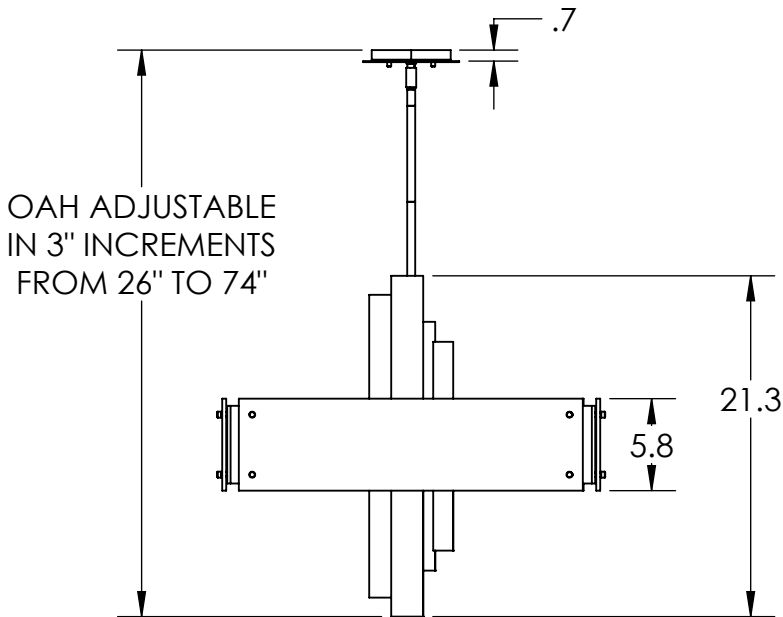
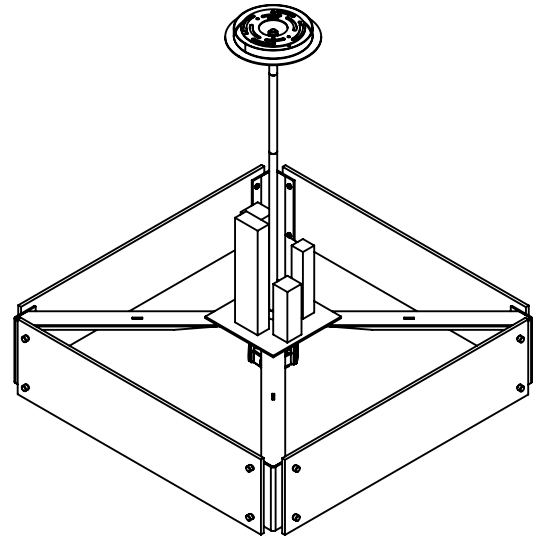
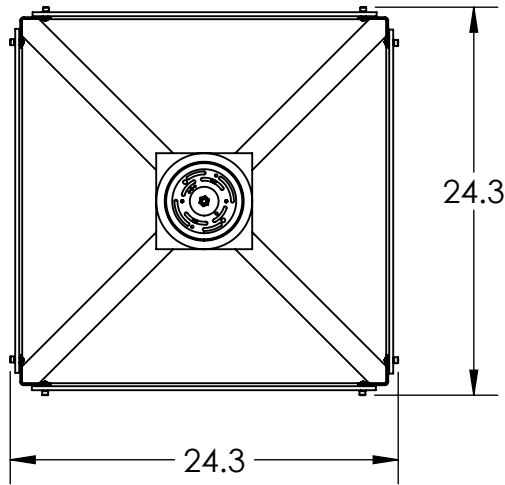


Collection: CARLYLE

Product #: CHB0033-0A



| Product #               | Electrical Type | Bulb Type     | Wattage | Socket Type |
|-------------------------|-----------------|---------------|---------|-------------|
| CHB0033-0A-XX-XX-XXX-E2 | Incandescent    | A19           | 75      | Medium E26  |
| CHB0033-0A-XX-XX-XXX-G2 | Flourescent     | CFL/LED RETRO | 13      | GU-24       |

*Bulbs Not Included* Visit [hammertonstudio.com](http://hammertonstudio.com) for product options and specifications.

3/31/2016 (B)

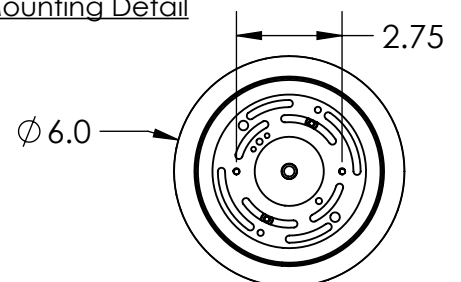
|                                  |                                  |
|----------------------------------|----------------------------------|
| Mounting Packet: Y               | Electrical Type: SEE TABLE       |
| Approximate lbs.: 30             | Bulb Qty: 4 Bulb Type: SEE TABLE |
| Finish: SEE WEB SITE FOR OPTIONS | Wattage: SEE TABLE Voltage: 120  |
| Top Diffuser: OPEN               | Socket Type: SEE TABLE           |
| Bottom Diffuser: FROSTED ACRYLIC | UL Location: DRY                 |

All fixtures created by Hammerton are handcrafted by artisans. Dimensions may vary up to 7/8".

© Copyright 2016. All rights in design, detail or invention of this drawing are reserved as the property of Hammerton. Any imitation or adaptation without written consent is strictly prohibited.

Hammerton Inc. 217 Wright Brothers Dr. Salt Lake City, UT 84116 (801)973-8095

Mounting Detail



MOUNTS DIRECTLY TO J-BOX