



MODEL:  2507A  2509  3041



These fountains are certified to NSF/ANSI 61.

**Model 2507A**

Two-stream, mound-building projector. Lead-free chrome-plated fittings. Lever handle self-closing stop. Removable shutoff seat. Volume regulator 3" center distance. 1/4" NPT supply.

Shipping weight: 3 lbs.

**Model 2509**

Two-stream, mound-building projector. Lead-free chrome-plated fittings. Lever handle self-closing stop. Removable chrome-plated shutoff seat. Volume regulator. Hood guard 3/8" NPT supply.

Shipping weight: 2 lbs.

**Model 3041**

Single-stream angle jet projector, chrome-plated unleaded brass. Combination self-closing pushbutton-type with integral automatic stream regulator. Hood guard 3/8" NPS connection. Use **A54881** when ordering.

**Vandal-Resistant** model includes set screw. Use **45660C** when ordering.

Shipping weight: 2 lbs.

NOTE: Continued product improvement makes specifications subject to change without notice. See Halsey Taylor website for most current spec sheet.

**2507A Fountain Head**



**2509 Fountain Head**



**3041 Projector**



JOB NAME: \_\_\_\_\_

\_\_\_\_\_  
\_\_\_\_\_

ENGINEER/CONTRACTOR NAME: \_\_\_\_\_

APPROVAL: \_\_\_\_\_

DATE: \_\_\_\_\_

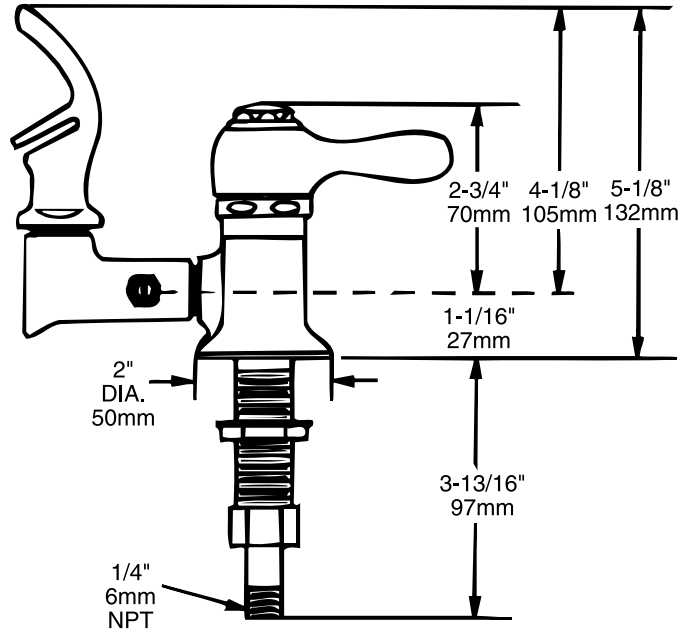


# Fountain Heads and Projectors

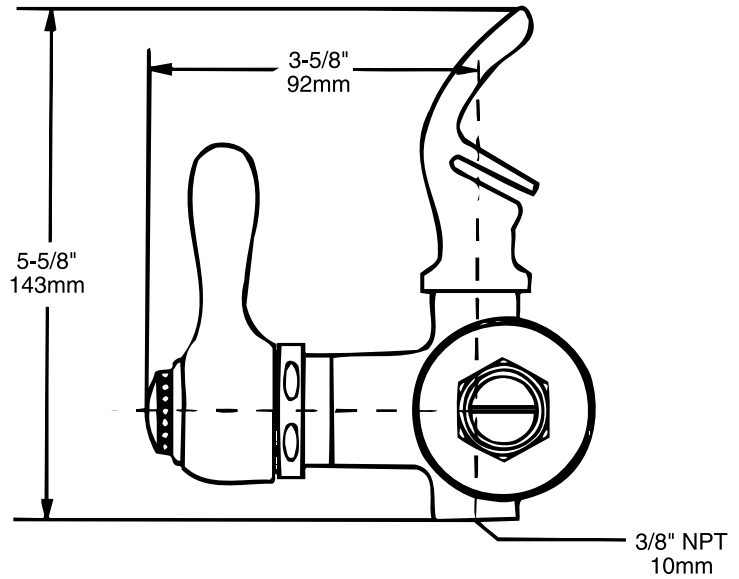
(CONTINUED)

**OPERATING PRESSURES**  
Supply water-105 psi maximum

2507



2509



3041

