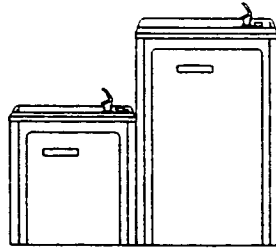


Halsey Taylor Owners Manual

WM14A-4-Q BL WM16A-3-Q BL

(USES HFC 134A REFRIGERANT)

GLASS FILLER COMPATIBLE: See CAUTIONS in item 6 below.



Installer

The WM series coolers are among the easiest to install Wall Mount Models on the market today. To assure you install this model easily and correctly, PLEASE READ THESE SIMPLE INSTRUCTIONS BEFORE STARTING THE INSTALLATION. CHECK YOUR INSTALLATION FOR COMPLIANCE WITH PLUMBING, ELECTRICAL AND OTHER APPLICABLE CODES. After installation, leave these instructions inside the cooler for future reference.

IMPORTANT

ALL SERVICE TO BE PERFORMED BY AN AUTHORIZED SERVICE PERSON

1. Insure proper ventilation by maintaining 4" (min.) clearance from cabinet louvers to wall on each side of cooler.
2. Water supply 3/8" O.D. Waste 1-1/4" O.D. Contractor to supply waste trap and service stop valve in accordance with local codes.
3. Connecting lines should be thoroughly flushed to remove all foreign matter before being connected to cooler. This cooler is manufactured in such a manner that it does not in any way cause taste, odor, color or sediment problems. If a taste, odor or sediment problem is prevalent, try installing our water filter module, Part No. 73-15242-51-550, on the supply line.
4. Connect 3/8" O.D. water line from cooler to the service (See Fig. 1). NOTE: "Y-Strainer not used on units with filter. Simply insert 3/8" water line into fitting on filter head until a positive stop-approx. 3/4".
5. Electrical: Insure power supply is identical in voltage, cycle and phase to that specified on the cooler data plate. NEVER wire compressor directly to the power supply.
6. Halsey Taylor has glass fillers and glass filler plumbing kits specifically designed for use in your water cooler. Check local listings for a Halsey Taylor dealer near you.

WARNING: Warranty is voided if:

- The plumbing kit or glass filler is not specified for use by Halsey Taylor for this particular model.
 - Installation is not made in accordance with current Halsey Taylor instructions.
7. These products are designed to operate on 20 to 105 psig supply line pressure. If inlet pressure is above 105 psig, a pressure regulator must be installed in supply line. Any damage caused by reason of connecting this product to supply line pressure lower than 20 psig or higher than 105 psig is not covered by warranty.

START UP

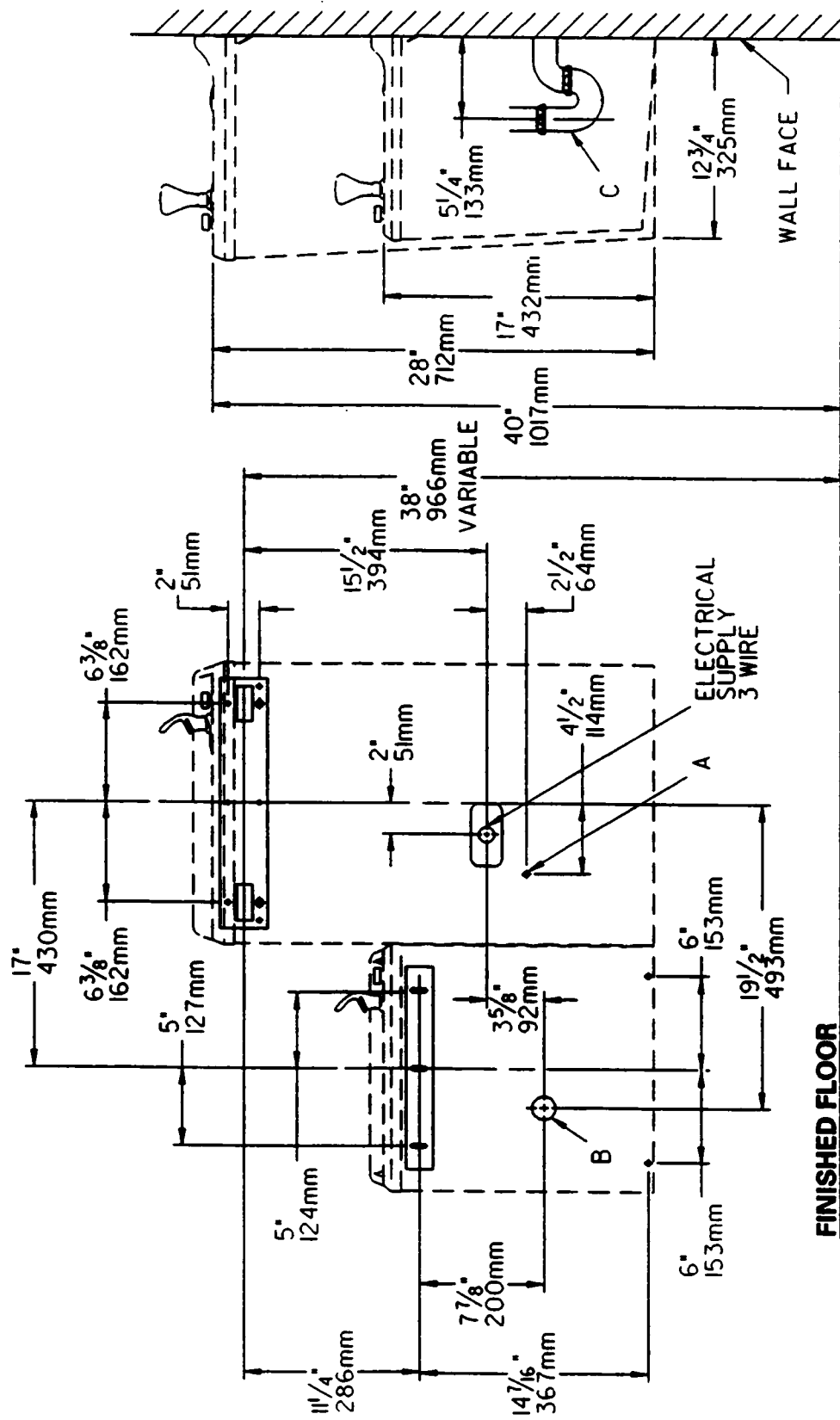
1. Turn on the building water supply and check all connections for leaks.
2. Depress push button until all air is bled from cooler water system. A steady stream flow assures all air is removed.
3. Stream height is factory set at 35 PSI. If supply pressure varies greatly from this, re-adjust stream height to approximately 1-1/2" above the bubbler guard by turning adjustment screw on regulator. (See push button valve adjustment - Figure 4).
4. Recheck all water and drain connections with water flowing through system.
5. Plug cooler power cord into building electrical receptacle.
6. Replace the front panel and secure by replacing the two (2) screws in the bottom of the front panel and tighten securely.

INSTALLER PLEASE NOTE: IMPORTANT!

This water cooler has been designed and built to provide water to the user which has not been altered by materials in the cooler water ways. The grounding of electrical equipment such as telephones, computers, etc. to water lines is a common procedure. This grounding may be in the building but may also occur away from the building. This grounding can cause electrical feedback into a water cooler creating an electrolysis which creates a metallic taste or causes an increase in the metal content of the water. This condition is avoidable by installing the cooler using the proper materials as noted below.

NOTICE

This water cooler must be connected to the water supply using a dielectric coupling - the cooler is furnished with a non-metallic "Y" strainer which meets this requirement. The drain trap which is provided by the installer should also be plastic to completely isolate the cooler from the building plumbing system.



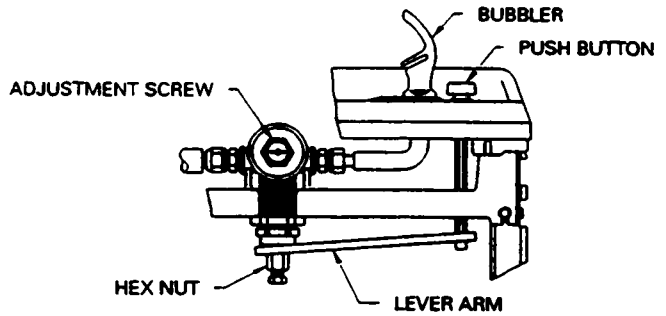
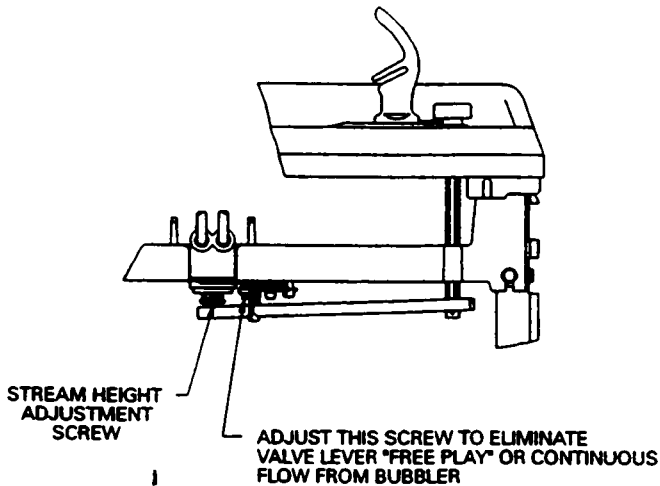
FINISHED FLOOR

LEGEND:
 A = 3/8" O.D. TUBE CONNECT SHUT OFF VALVE BY OTHER
 B = WATER OUTLET 1 1/2" NPS DRAIN STUB OUT FROM WALL 1" (25mm)
 C = 1 1/2" O.D. TAILPIECE (TRAP NOT FURNISHED)

FIG. 1

PUSH BUTTON VALVE ADJUSTMENT

THIS DETAIL IS FOR UNITS PRODUCED
PRIOR TO SEPTEMBER 1994.



IF WATER TRICKLES FROM BUBBLER, TURN THE
HEX NUT TO TIGHTEN THE LEVER ARM.

TO ADJUST THE STREAM HEIGHT, DEPRESS THE
PUSH BUTTON AND THE ADJUSTMENT SCREW.

FIG. 4

HANGER BRACKET & TRAP INSTALLATION

- 1). Remove hanger brackets fastened to back of cooler and fountain by removing screws.
- 2). Mount hanger brackets and remove trap.
NOTE: Hanger Brackets **MUST** be supported securely. Add fixture support carrier if wall will not provide adequate support.

IMPORTANT:

- 6 1/4 in. dimension from back of unit to centerline of trap must be maintained for proper fit.
- Anchor hanger securely to wall using all six (6) 1/4" dia. mounting holes.

- 3). Install 3/8" IPS. female x 3/8" compression straight service stop to building water inlet stub. (service stop not furnished)

INSTALLATION OF COOLER

- 4). Hang the cooler on the upper hanger bracket. Be certain the hanger bracket is engaged properly in the slots on the cooler back.
- 5). Remove the two (2) screws at the bottom of the front panel and set aside. Remove the front panel and set aside.
- 6). Remove the slip nut and gasket from the waste arm and install them on the pre-cooler tailpiece. Remove slip nuts and gaskets from the end outlet and install them on the fountain tailpiece and waste arm. Connect tail piece of end outlet to trap.
- 7). Hang the fountain on the lower hanger bracket. Be certain the hanger bracket is engaged properly in the slots on the fountain back.
- 8). Cut waste arm to fit and connect to end outlet and pre-cooler tailpiece. Tighten all connections.
- 9). Connect the water line from the cooler to the regulating valve on the fountain.
- 10). Connect cooler to building supply line with a shut-off valve and install a 3/8" O.D. water inlet between the valve and the cooler.
NOTE: If required, the water inlet line to cooler may be cut to a desired length. However, if water line is cut, all burrs must be removed from outside of tube before it is inserted into the y-strainer.

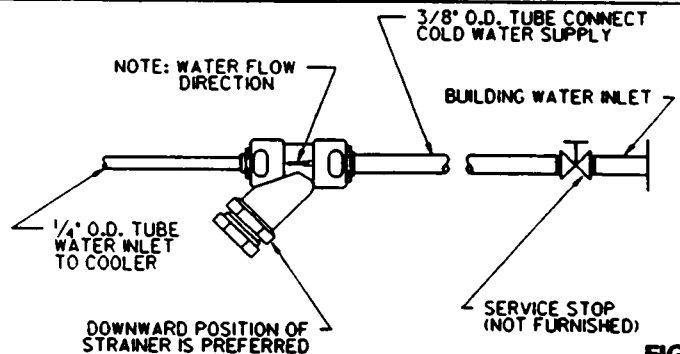


FIG. 2

OPERATION OF QUICK CONNECT FITTINGS

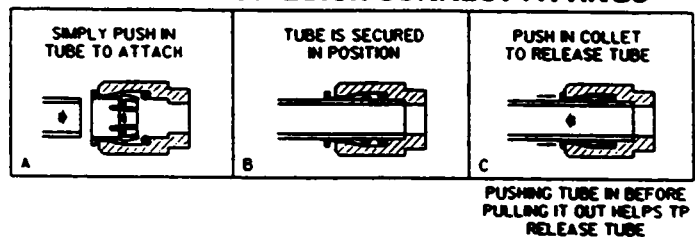


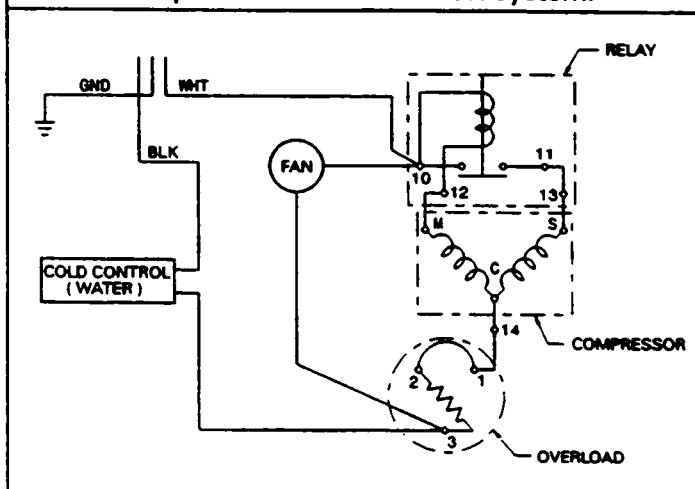
FIG. 3



FIG. 5

WIRING DIAGRAM

This drawing is merely for illustrating the
components of the electrical system.



ITEMIZED PARTS LIST

ITEM	PART NO.	DESCRIPTION
1	51544C	Bubbler (Style A)
	10-14228-31-640	Bubbler (Style B)
2	10-26399-31-640	Drain Plug
3	16-02705-08-640	Strainer Plate
4	17-14548-42-590	Receptor (Cooler)
5	70788C	Y-Strainer
6	66327C	Evaporator (14 GPH)
	66326C	Evaporator (16 GPH)
7	35839C	Cold Control
8*	35762C	Compressor Serv. Pak (14 GPH)
	35774C	Compressor Serv. Pak (16 GPH)
9	31027C	Overload/Relay Assy (14 GPH)
	31029C	Overload/Relay Assy (16 GPH)
10	19-42439-01-550	Electrical Shield
11	35766C	Relay Cover
12	45701C	Precooler (Style A) Includes 36 & 37
	60-26405-51-550	Precooler (Style B)
13	66252C	Condenser (14 GPH)
	66253C	Condenser (16 GPH)
14	10-15434-31-640	Cap Push Button
15	10-15075-31-550	Push Button Stem
16	31490C	Fan Motor
17	10-42095-43-730	Fan Blade
18	70018C	Fan Blade Nut
19	40-26720-43-730	Fan Motor Bracket
20	66202C	Drier (14 GPH)
	66203C	Drier (16 GPH)
21	66245C	Heat Exchanger (14 GPH)
	66449C	Heat Exchanger (16 GPH)
22	19-26679-51-550	Power Cord
23	70682C	Tee-1/4
24	40602C	Valve Assy (Fountain)
25	60-14202-51-550	Valve Stem Assy
26	62-15959-51-550	Push Button Stem Assy
27	16-07470-51-550	Continuous Waste
28	17-14037-42-590	Receptor (Fountain)
29	10031C	Regulator Retaining Nut
30	26860C	Regulator Lever (Style A)
	40-26741-43-730	Valve Lever (Style B)
31	26861C	Pivot Bracket
32	26862C	Regulator Retaining Bracket
33	50985C	Regulator Holder
34	61314C	Regulator
35	55860C	Regulator Mounting Bracket (Style A)
	10-14532-31-550	Valve Bracket (Style B)
36	55885C	Nut 1-1/4 Slip Joint
37	55913C	Adaptor - Drain
38	60-15903-51-550	Valve Assy (Style B)
39	SEE TABLE A	Panel - Front (NS)
40	SEE TABLE A	Panel - Side (LH)
41	SEE TABLE A	Panel - Side (RH)
42	SEE TABLE B	Panel - Front BL
43	SEE TABLE B	Panel - Side (LH) BL
44	SEE TABLE B	Panel - Side (RH) BL

*REPLACE WITH SAME COMPRESSOR USED IN ORIGINAL ASSEMBLY.
NOTE: All correspondence pertaining to HALSEY TAYLOR water coolers or orders for repair parts MUST include Model No. and Serial No. of cooler, name, and part number of replacement part.

COLOR TABLE A

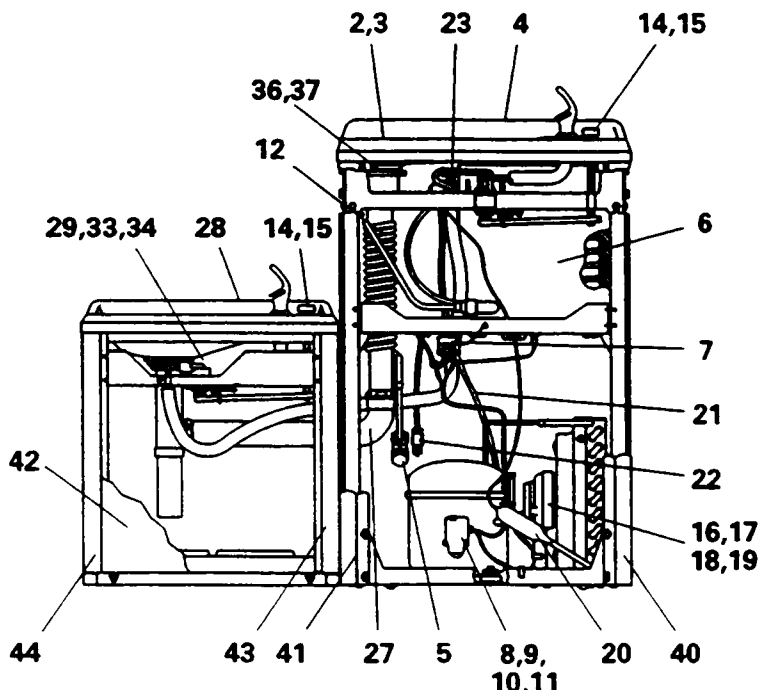
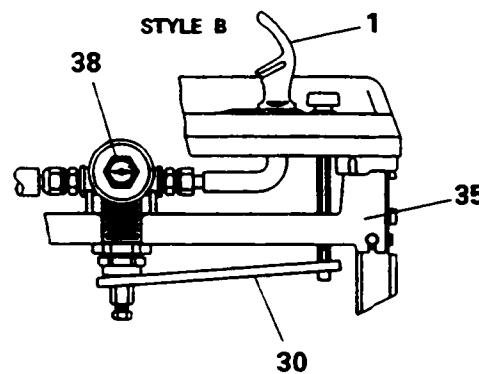
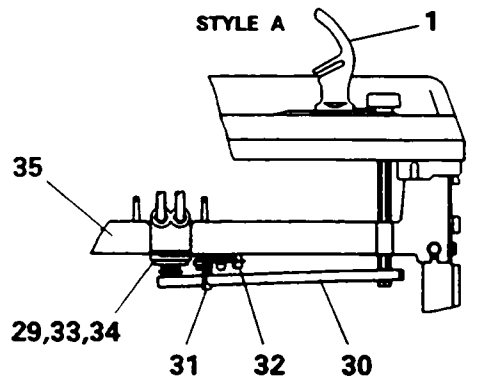
COLOR	ITEM 39	ITEM 40	ITEM 41
Platinum (PV)	401432248410	401471048410	401484048410
Almond (AV)	26874C	26886C	26879C
Slate (SV)	401432248440	401471048440	401484048440
Striass Std (SS)	401432242830	401471042830	401484048830

COLOR TABLE B

COLOR	ITEM 42	ITEM 43	ITEM 44
Platinum (PV)	400810448410	401528248410	401528348410
Almond (AV)	26920C	26924C	26928C
Slate (SV)	400810448440	401528248440	401528348440
Striass Std (SS)	400810448830	401528248830	401528348830

TROUBLE SHOOTING & MAINTENANCE

- Bubbler:** If mineral deposits build up in the orifice, they can be removed by using a round file or small diameter wire.
CAUTION: Care must be taken not to damage the orifice.
- Stream Regulator:** To adjust stream height see Instruction No. 3 under "START UP"
- Temperature Control:** Factory set for 50°F. water (± 5°) under normal conditions. For colder water, adjust screw on Item No. 7 (see page 4).
CAUTION: Do not force screw against stops. Turn clockwise for colder water, counterclockwise for warmer water.
- Ventilation:** Condenser fins and louvers should be periodically cleaned with a brush, air hose or vacuum cleaner.
- Lubrication:** Motors are lifetime lubricated.
- CAUTION:** Cleaning of Golden Bronzestone Models requires special care. Outer surfaces must be cleaned with a mild detergent or mixture of vinegar and water only, rinsed and wiped dry. Abrasive and acidic cleaners may eventually damage the Golden Bronzestone finish.



Halsey Taylor

2222 CAMDEN COURT
OAK BROOK, IL 60521
630.574.3500
PRINTED IN U.S.A.

FOR PARTS, CONTACT YOUR LOCAL DISTRIBUTOR OR CALL 1.800.323.0620