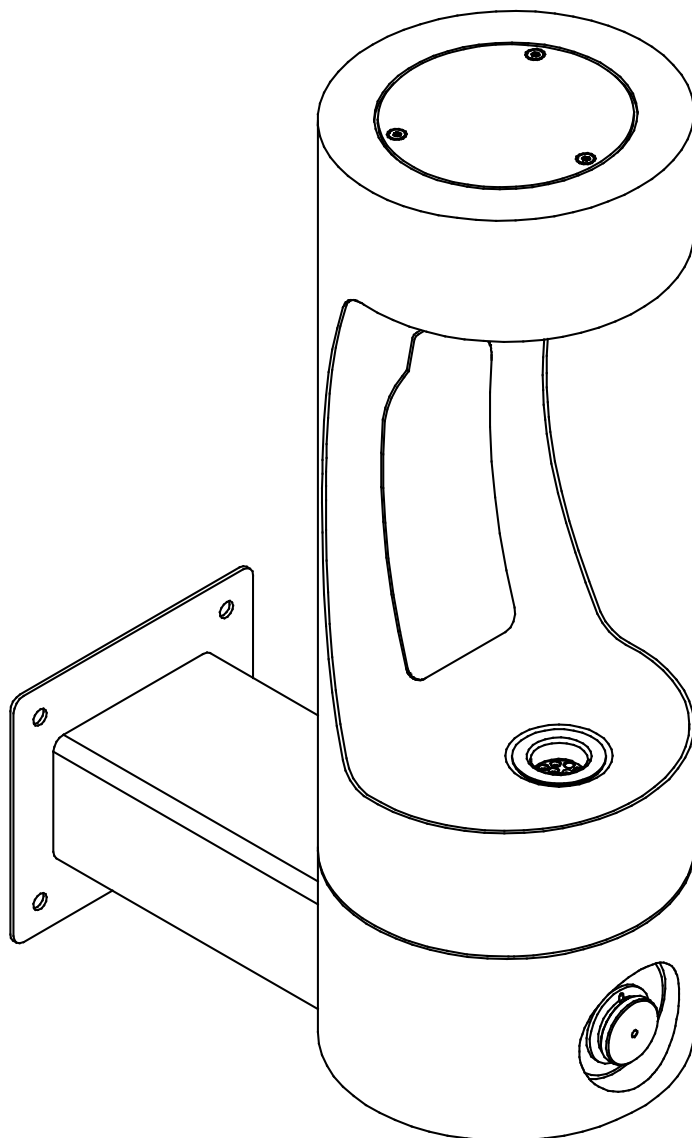


# Owners Manual

Model 4405BFFR

**Bottle Filling Freeze Resistant Wall Mounted Tubular Fountain**



## Installer

4405BFFR Fountains are among the easiest to install Fountains on the market today. To assure you install these models easily and correctly, PLEASE READ THESE SIMPLE INSTRUCTIONS BEFORE STARTING THE INSTALLATION. CHECK YOUR INSTALLATION FOR COMPLIANCE WITH PLUMBING, ELECTRICAL, AND ALL OTHER APPLICABLE CODES. After installation, leave these instructions with the Fountain for future reference. This Freeze Resistant Fountain is shipped in two separate cartons. The second carton contains the Freeze Resistant Package that are installed on an interior heated wall. The interior space must maintain a minimum temperature of 50° F (10° C). Refer to the Freeze Resistant Package for the rough-in dimensions for installation.

# INSTALLATION INSTRUCTIONS

## IMPORTANT

**ALL SERVICE TO BE PERFORMED BY AN AUTHORIZED SERVICE PERSON**

### **IMPORTANT! INSTALLER PLEASE NOTE.**

THE GROUNDING OF ELECTRICAL EQUIPMENT SUCH AS TELEPHONE, COMPUTERS, ETC. TO WATER LINES IS A COMMON PROCEDURE. THIS GROUNDING MAY BE IN THE BUILDING OR MAY OCCUR AWAY FROM THE BUILDING. THIS GROUNDING CAN CAUSE ELECTRICAL FEEDBACK INTO A FOUNTAIN, CREATING AN ELECTROLYSIS WHICH CAUSES A METALLIC TASTE OR AN INCREASE IN THE METAL CONTENT OF THE WATER. THIS CONDITION IS AVOIDABLE BY USING THE PROPER MATERIALS AS INDICATED. ANY DRAIN FITTINGS PROVIDED BY THE INSTALLER SHOULD BE MADE OF PLASTIC TO ELECTRICALLY ISOLATE THE FOUNTAIN FROM THE BUILDING PLUMBING SYSTEM.

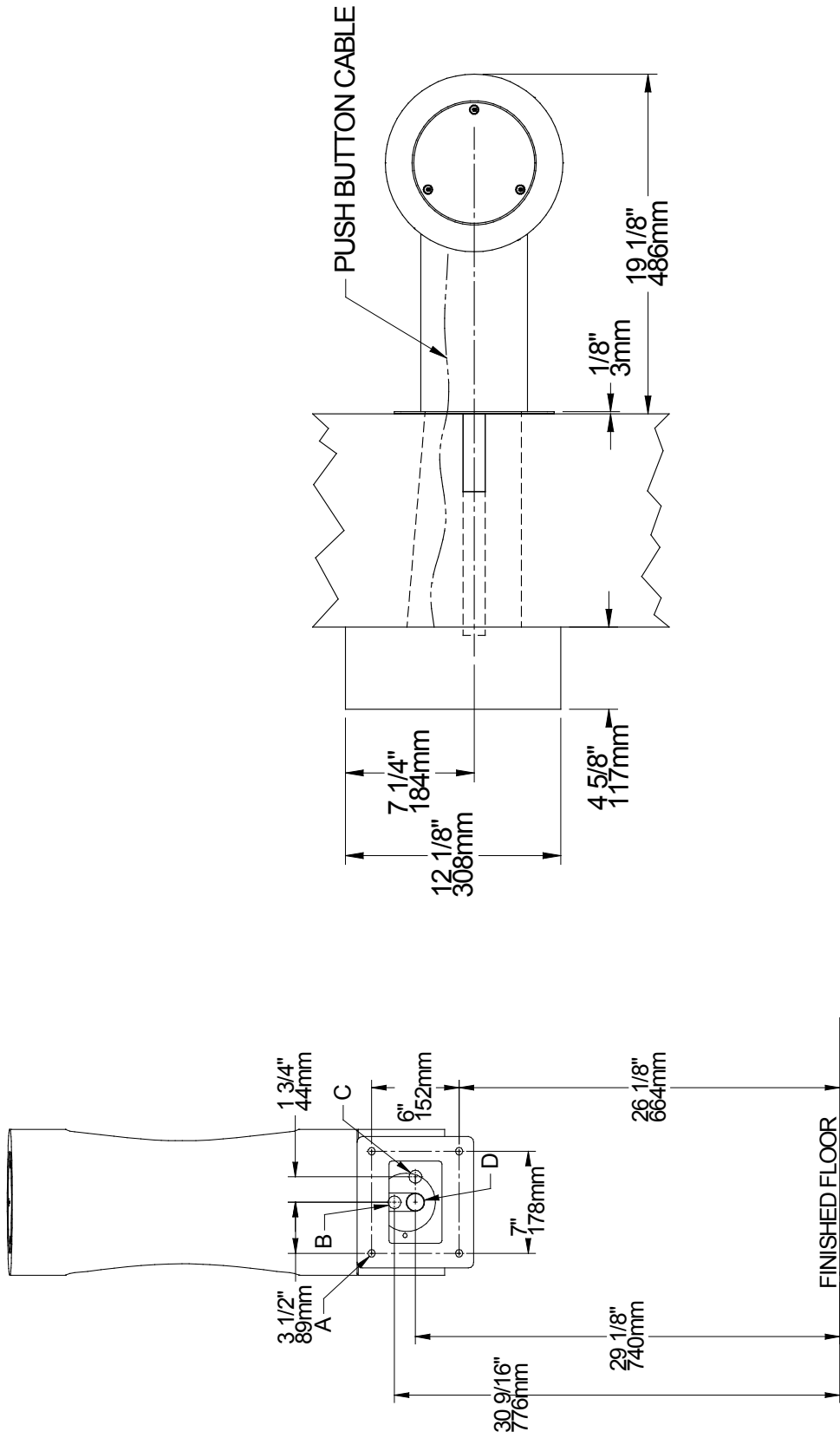
The freeze resistant package must be mounted on an interior wall in a heated area. The room temperature of the interior heated area must be 50° F (10° C) or higher. The freeze resistant package may be surface or recessed mounted. If recess mounted the surface of the cover must be flush with the interior wall surface. The package is furnished with screws for mounting the cover to the box. If the box is recess mounted, do not fasten the top and bottom of the cover to the box. Use the holes on the front only.

1. Assemble the operating cable to the fountain bracket. (Fountain should be mounted to exterior wall.) The adjustment nuts should be in the middle of threaded area on the operating cable. See Figure 5. Create a loop in the cable and thread the free end of the cable through the wall into the freeze resistant box.
2. Connect free end of operating cable to the valve-operating bracket in the freeze resistant box.
3. Remove cable free play by adjusting the jam nuts on the ends of the operating cable. See Figure 4.
4. Connect water line from bottle filler nozzle into freeze resistant box. The connection to the box uses a quick connect water fitting. Position the water line, in the fountain, to drain back into interior mounted box. Any water left standing, in the exterior line, can freeze. See Fig. 7 To insert tubing, push tube straight into fitting until it reaches a positive stop. To remove tubing from the fittings, relieve water pressure, push in on dark gray collar while pulling out on the tubing. See Figure 8.
5. Connect drain and water supply lines to the freeze resistant fountain. Refer to Figure 1 for component positions.

#### Start-up

1. Turn on building water supply and check all connections for leaks. Repair as required.
2. Adjust operating cable as required. Cable system should have a minimal amount of free play to allow for proper valve operation. If the system is too tight the valve will stay in the on position creating constant water flow. Too much free play will result in non-operation of the valve with the push-buttons.
3. Note: Water from the drain back tube in the freeze resistant package, will continue to run while the valve is actuated.
4. After cable system is adjusted properly stuff flexible insulation into any openings between the outside wall and the interior box.
5. Recheck all connections. If all connections are leak free replace cover(s) on the freeze resistant box(es) and fountain(s).

**FIG. 1**  
**4405BFFR BOTTLE FILLING FREEZE RESISTANT FOUNTAIN**  
**MOUNTING BOLT AND ACCESS HOLE LAYOUT**



**LEGEND**  
**A = MOUNTING BOLT LOCATIONS (4)(1/2" DIA. NOT PROVIDED).**  
**B = 7/8" DIA. (22mm) HOLE FOR WATER SUPPLY TUBE.**  
**C = 7/8" DIA. (22mm) HOLE FOR OPERATING CABLE.**  
**D = 2" DIA. (51mm) HOLE FOR WASTE LINE.**

4405BFFR BOTTLE FILLING FREEZE RESISTANT FOUNTAIN  
ROUGH-IN DRAWINGS

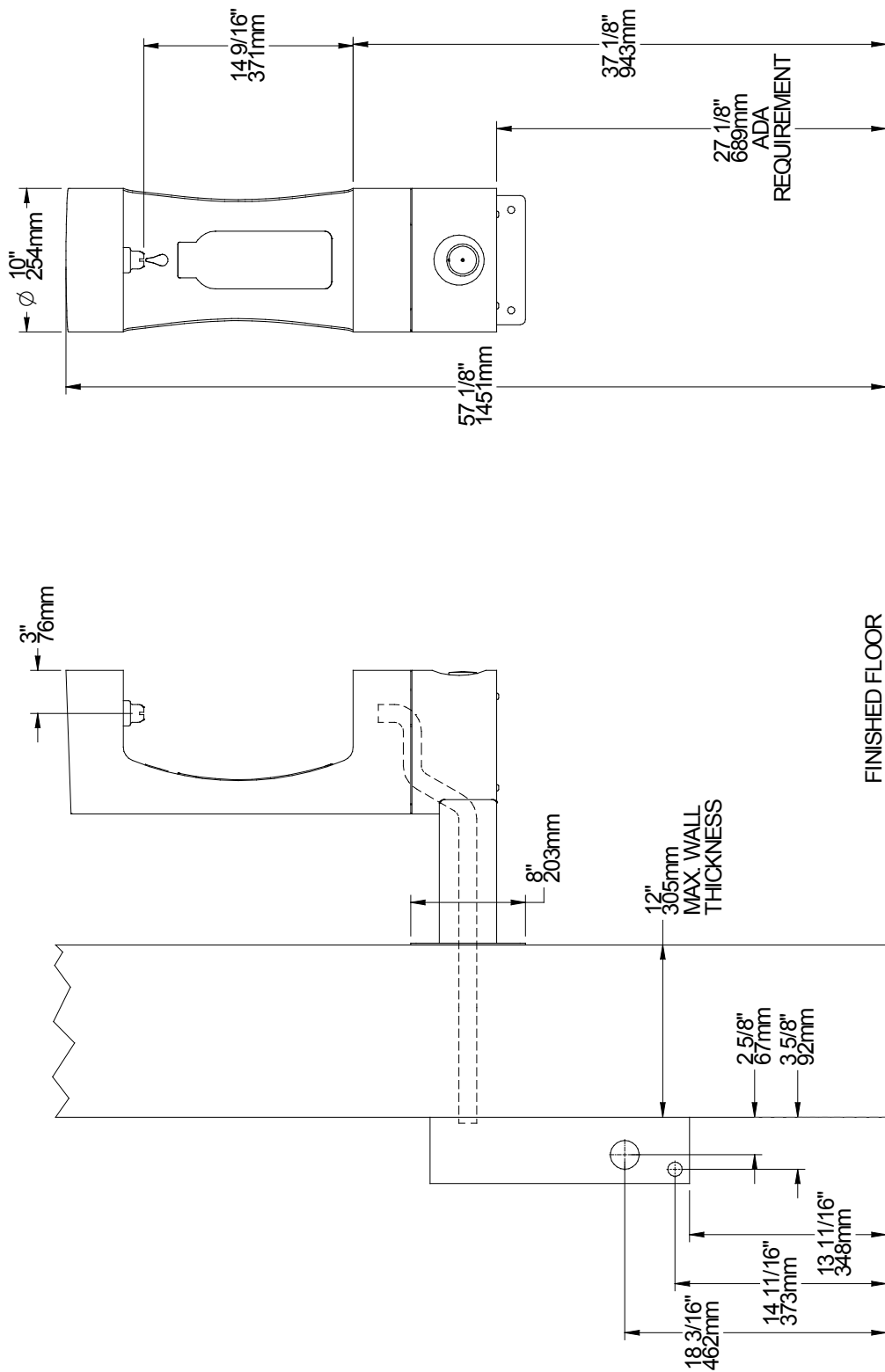
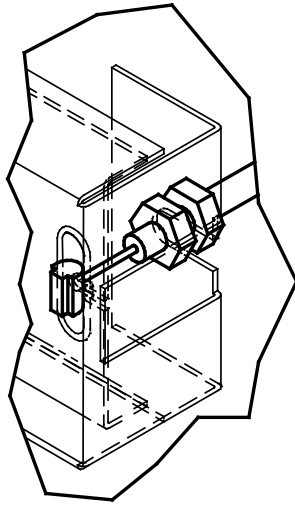


FIG. 2

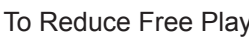
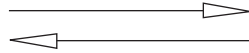
1. **Wall should already be framed for the fountain using dimensions shown in Fig. 1.** Shown dimensions pertain to installation location. These dimensions are required for compliance with ANSI Standard A117.1. and ADA (Framing shown for reference only).
2. **Remove bottom cover from fountain and save screws.**
3. **Install the fountain** using 3/8" minimum fasteners and washers (not provided). Tighten securely.
4. **Prior to installing bottle filler** to the fountain, insert the drain tube (item #4) into the arm tunnel and adjust drain to lean to the left side when facing button.
5. **Install bottle filler** to fountain being sure drain tube is above mounting plate of filler. Install mounting hardware to secure filler to fountain.
6. **Attach drain tube** to fountain and cut to required length using the freeze resistant box as a guide.
7. **Install freeze-resistant box** - see box instructions.

FIG. 3



**CABLE SHEATH ADJUSTMENT**

To Increase Free Play



To Reduce Free Play

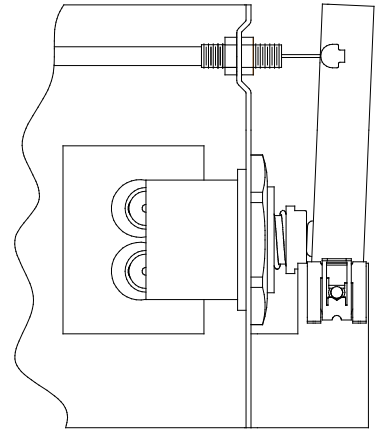
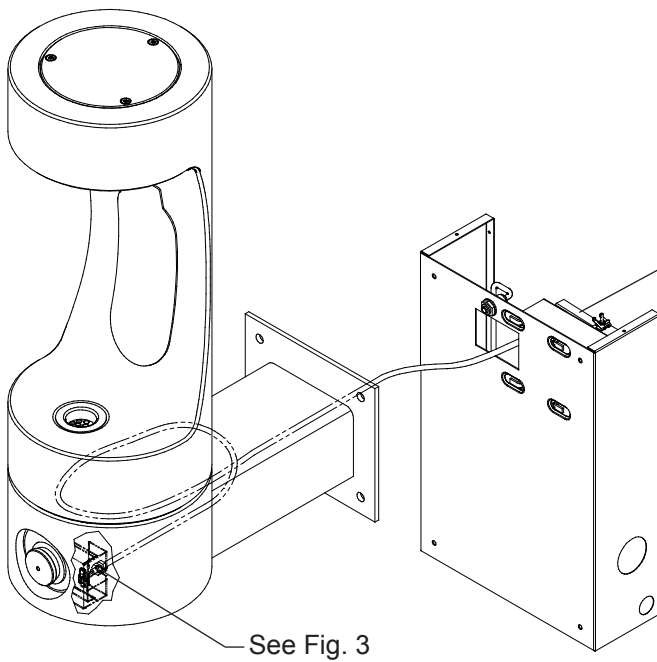


FIG. 4

FIG. 5



See Fig. 6

See Fig. 3

FIG. 6

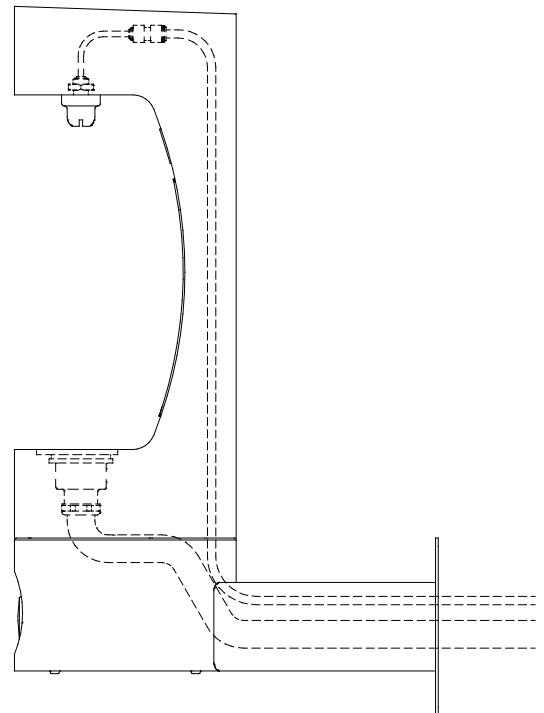
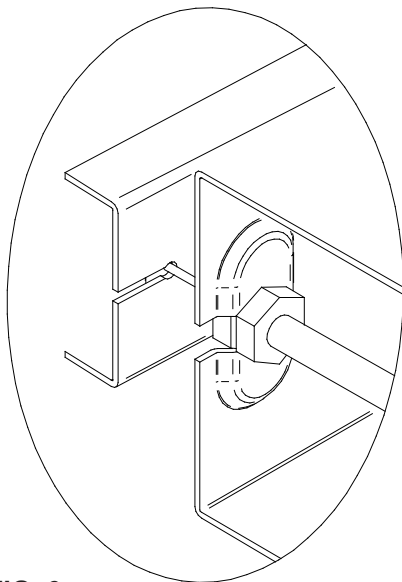


FIG. 7

ITEMIZED PARTS LIST

ITEM NO.	PART NO.	DESCRIPTION
1	1000003814*	Cover - Round Plate
2	45931C	Outdoor Bottle Filler Drain Plug
3	1000003813*	Bottom Cover
4	66816C	Tube - Drain
5	75724C	Pinned Torx Screw - 1/4-20 x 3/4"
6	45662C	Push Button
7	45663C	Push Button Guide Sleeve
8	98679C	Kit - Nozzle
9	98680C	Kit - Aerator/Key
10	98681C	Kit - Blank Bottle Filler Trim
	1000003692	Kit - LK4405 Bottle Filler Trim
	1000003693	Kit - 4405 Bottle Filler Trim
11	28703C	Blank Nameplate Insert (only)
11a	28703C-LK	LK4405 Nameplate Insert (only)
11b	28091C-HT	4405 Nameplate Insert (only)
12	98683C	Kit - Plastic Drain
13	98685C	Kit - 4400 Series Hardware
14	98686C	Kit - Bottle Filler Waterway
15	98872C	Kit - Pivot Brkt/Bshing/Bumper/Rod/Tailpiece
16	75672C	Screw-Socket Cap
17	97247C	Kit - VR Torx Screws/Bit

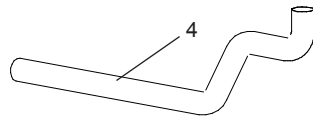
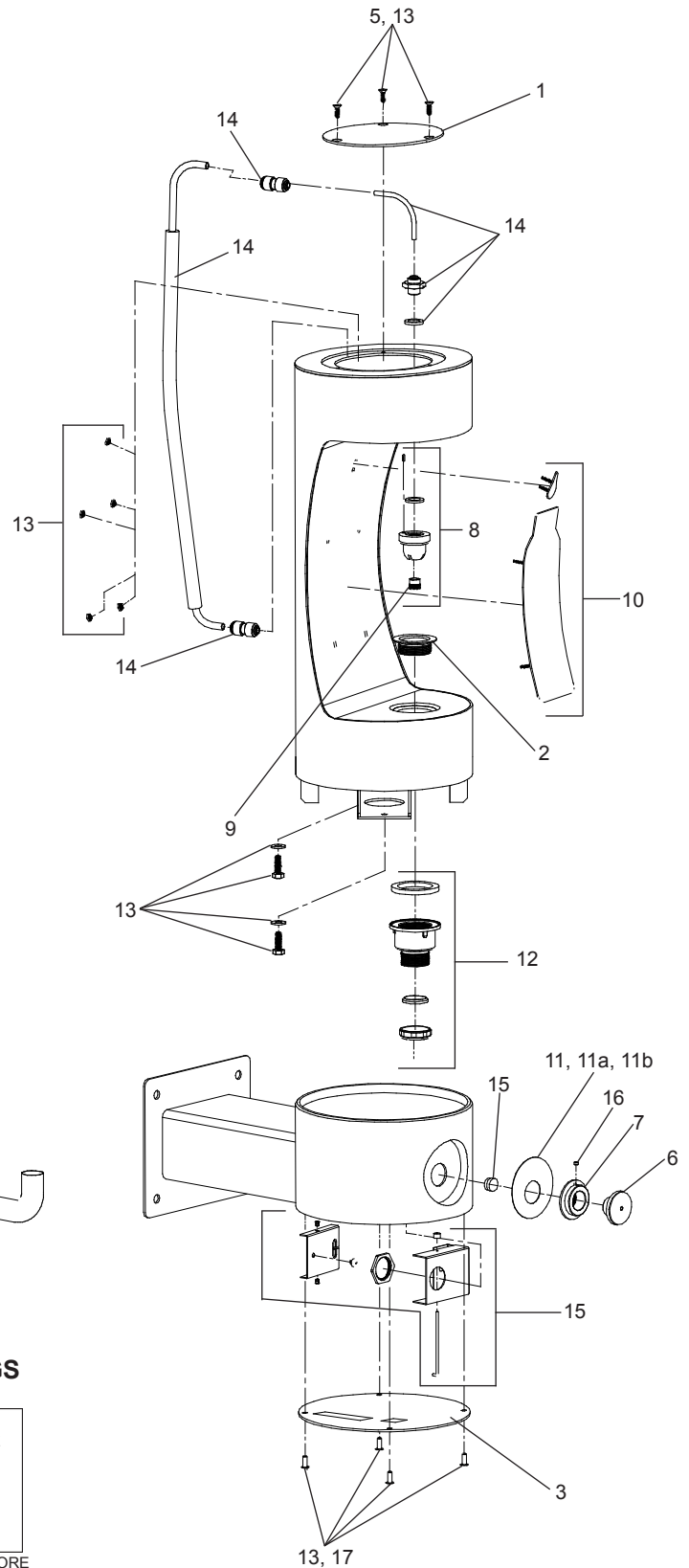
\*select color option to complete part number

**\*FINISH COLOR OPTIONS - Choose color option to complete your model number, add as suffix example: 4405BFFRKEVG**

Matte finish:  Evergreen = **EVG**

Gloss finish:

- Beige = **BGE**
- Black = **BLK**
- Blue = **BLU**
- Brown = **BRN**
- Gray = **GRY**
- Orange = **ORN**
- Purple = **PUR**
- Red = **RED**
- Terracotta = **TER**
- White = **WHT**
- Yellow = **YLW**



OPERATION OF QUICK CONNECT FITTINGS

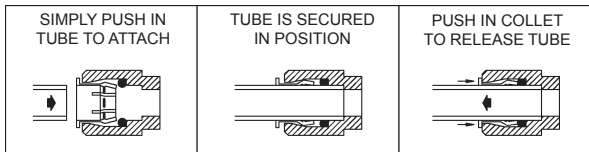


FIG. 8

PUSHING TUBE IN BEFORE PULLING IT OUT HELPS TO RELEASE TUBE.