



Halsey Taylor[®]
Satisfying Thirsts Since 1912

Model HTHB-HVRGRN8-WF
Filtered Single HVR Green Cooler with
HydroBoost[®] Bottle Filler

HVR Green Cooler
with Bottle Filler and Filter

Rated for Indoor Use Only

MODEL: HTHB-HVRGRN8-WF

GENERAL

Complete water station including HydroBoost[®] bottle filling station and HVR Green water cooler. GreenSpec[®] Listed, energy and water efficient single water cooler model. Self-contained, wall-mounted, electric, refrigerated model. One-piece, heavy-duty, vandal-resistant water conservation bubbler with integral hood. Automatic stream height regulator is located inside unit to prevent tampering. Includes self-closing, light touch front pushbutton actuation. Type 300 series stainless steel cooler top, with satin finish resists stains. Anti-splash ridge reduces splatter. Contoured to insure proper drainage.

HYDROBOOST[®] BOTTLE FILLING STATION

Sensor-activated enhanced with user interface graphics. Quick fill rate is 1.1 gallons per minute. Laminar flow provides a clean fill with minimal splash and easy maintenance. Equipped with an automatic 20-second shut-off timer.

SILVER ION ANTI-MICROBIAL PROTECTION

Key plastic components are integrated with silver ion anti-microbial protection to inhibit growth of mold and mildew.

GREEN COUNTER[™]

Visually displays count of plastic bottles saved from waste. (Based on 20 oz. bottles.)

PUSHBUTTON ACTUATION MECHANISM

Self-closing, vandal-resistant pushbutton does not require grasping or twisting.

AUTOMATIC STREAM HEIGHT REGULATOR

Self-closing assembly is located inside unit to prevent tampering. Unit resists corrosion and liming. A constant stream height is automatically maintained under line pressures that vary from 20 to 105 psi.

WATER INLET - 3/8" O.D. Tubing. **DRAIN OUTLET** - 1-1/4" tube outlet for 1-1/4" slip joint connection. **Trap and service stop not included.**

REFRIGERATION SYSTEM

Hermetically sealed, positive start compressor with lifetime lubrication and built-in overload protection, efficient capillary sizing, large capacity dryer-strainer and self-lubricated fan cools copper/ aluminum condenser. System uses R-134A refrigerant. Protected by Halsey Taylor's Limited 5 Year Warranty.

LEAD REDUCTION FILTER WITH FILTER LIFE INDICATOR

Equipped with the HWF3000 WaterSentry[®] Plus Filter. Features Quick-Disconnect, 1/4 turn installation and automatic inlet shut-off valve that closes when filter is removed. High grade filter is made with activated carbon and patented ATS lead-removal media. Certified to NSF/ANSI 42 for Chlorine-Class 1, Particulate-Class 1 and Taste and Odor and NSF/ANSI 53 for Lead Reduction. Filter is rated for 3,000 gallon capacity. Green, yellow and red LEDs visually indicate when filter maintenance is required.

Replacement Filters: Available as Singles and Multi-Packs.

Order part numbers:

- 55898C (single)
- 55898C_3PK (three pack)
- 55898C_12PK (twelve pack)
- 55898C_24PK (twenty-four pack)
- 55898C_48PK (forty-eight pack)

CAPACITIES CHART

Model No.	GPH Capacity Cooled to 50°F**				Base Rate Cap.	F.L. Amps	Shipping Weight lb.	Rated Watt Usage
	Ambient Air Temp							
	70°F	80°F	90°F [†]	100°F				
HTHB-HVRGRN8-WF	9.7	8.8	8.0	7.2	8.0	3.8	89	260

NOTE: Continued product improvement makes specification sheets subject to change without notice.

** With projector service and tap water at 80°F

[†] UL 399 and ASHRAE (previously ARI 1010) compliant

Model HTHB-HVRGRN8-WF



SUGGESTED SPECIFICATION

Unit shall include a single water cooler with a bottle filling station. Units shall have a high-efficiency refrigeration system and deliver 8 gph of 50° F drinking water at 90° F ambient air and 80° F inlet water. Lower unit shall have mechanically activated pushbar activation. Bottle filler shall include electronic sensor for no-touch activation with automatic 20-second shut-off timer. Shall include a Green Counter[™] displaying the count of plastic bottles saved from the landfill. Shall include WaterSentry[®] Plus 3000-gallon capacity filter, certified to NSF/ANSI 42 for Chlorine-Class 1, Particulate-Class 1 and Taste and Odor and NSF/ANSI 53 for lead reduction, with LED visual filter monitor to indicate when filter maintenance. Shall provide 1.1 gpm with laminar flow to minimize splashing. Shall include anti-microbial protected plastic components to prevent mold and mildew. Cooler shall have stainless steel basin with anti-splash ridge and removeable drain strainer. Shall have front and side pushbar activation with raised letters. Shall comply with ADA guidelines for visual and motion disabilities. The manufacturer shall certify the unit to meet the requirements of NSF/ANSI 61 and 372, UL 399 and CAN/CSA 22.2 No 120.



Model HTHB-HVRGRN8-WF

Filtered Single HVR Green Cooler with HydroBoost® Bottle Filler

OPERATING PRESSURES

Supply water 20 – 105 psi maximum
 Minimum 40 psi supply line pressure required in special circumstances where both sides of bi-level are in use simultaneously to ensure adequate stream height. Use of water filter in this situation is not recommended.

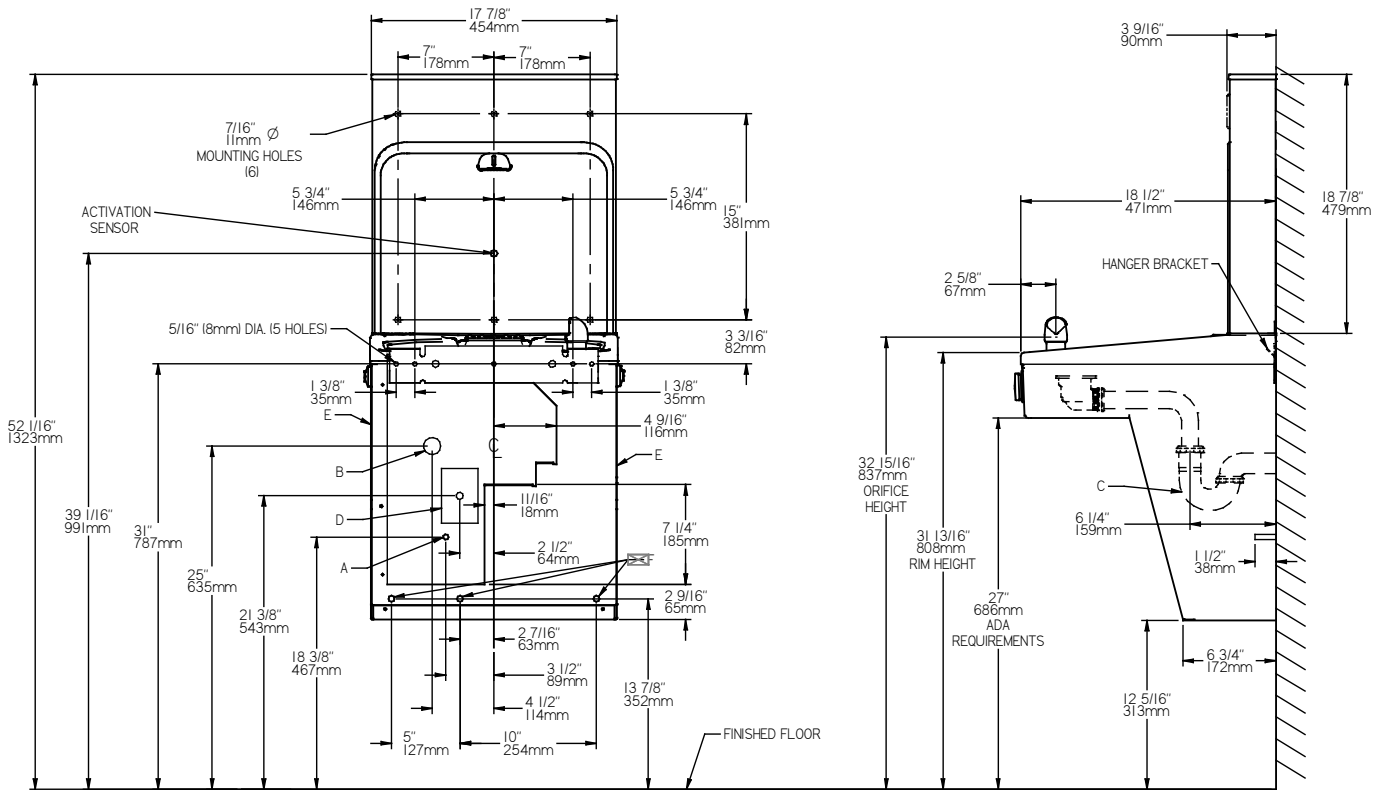
NOTE: A service stop (not included) must be installed at the water inlet line.
NOTE: P-Trap (not supplied) to be installed per local building code.

ELECTRICAL

HydroBoost® station equipped with electric cord and three-prong molded rubber plug for use with 15-amp minimum receptacle. Rated at 115 volt, 60 Hz, single phase.

FRONT VIEW

SIDE VIEW



REDUCE HEIGHT BY 3" FOR INSTALLATION OF CHILDRENS ADA COOLER

LEGEND:

- A = Recommended Water Supply Location. Shut-off valve (not furnished) to accept 3/8" O.D. unplated copper tube. Up to 3" (76mm) maximum out from wall.
 - B = Recommended Waste Outlet location. To accommodate 1-1/4" nominal drain. Drain stub 2" (51mm) out from wall.
 - C = 1-1/4" Trap (not furnished).
 - D = Electrical Supply (3) Wire Recessed Box Duplex Outlet.
 - E = Insure proper ventilation by maintaining 6" (152mm) minimum clearance from cabinet louvers to wall.
 - F = 7/16" (11mm) Bolt Holes for fastening to wall.
- **New Installations Must Use Ground Fault Circuit Interrupter (GFCI).

Job Name: _____

Model: _____ Qty. _____

Contact: _____

Approval Signature: _____

Notes: _____

