



**Halsey Taylor**  
Satisfying Thirsts Since 1912

**Model HTHB-HAC-RF-NF**  
**HAC Retro Fit**  
**Hydroboost® Bottle Filler**

**MODEL: HTHB-HAC-RF-NF**

**Bottle Filler Retro-Fit  
for HAC models**

**GENERAL**

Bottle filling station designed to retro-fit existing HAC pushbar activated models. Applicable on 115V models only. Rated for indoor use. Supplied with basin to insure proper fit and allow for easy installation. Ideal for use in sports and fitness centers, educational and healthcare facilities, airports, office buildings and any other commercial buildings.

**HYDROBOOST® RETRO-FIT BOTTLE FILLING STATION**

Sensor-activated enhanced with user interface graphics. Quick fill rate is 1.5 gallons per minute on refrigerated model and 1.1 gallons per minute on non-refrigerated model. Laminar flow provides a clean fill to minimize splashing and easy maintenance. Equipped with an automatic 20-second shut-off timer.

**SILVER ION ANTI-MICROBIAL PROTECTION**

Key plastic components are integrated with silver ion anti-microbial protection to inhibit growth of mold and mildew.

**GREEN COUNTER™**

Visually displays count of plastic bottles saved from landfills. (Based on 20 oz. bottles for refrigerated models)

*\*Rated for Indoor Use Only*



HTHB-HAC-RF-NF



**SUGGESTED SPECIFICATION**

Unit shall include a bottle filling station that retrofits onto a cooler. Model HTHB-HAC-RF-NF shall retro-fit existing 115V pushbar activated HAC models. Shall include basin to ensure proper fit and function. Bottle filler shall include electronic sensor for no-touch activation with automatic 20-second shut-off timer. Shall include a Green Counter™ displaying the count of plastic bottles saved from the landfill. Shall include anti-microbial protected components to prevent mold and mildew. Shall comply with ADA guidelines for visual and motion disabilities. The manufacturer shall certify the unit to meet the requirements of NSF/ANSI 61 and 372, UL 399 and CAN/CSA 22.2 No. 120.

**CAPACITIES CHART**

Model No.	GPH Capacity Cooled to 50°F**				Base Rate Cap.	F.L. Amps	Shipping Weight lb.	Rated Watt Usage
	Ambient Air Temp							
	70°F	80°F	90°F†	100°F				
HTHB-HAC-RF	-	-	-	-	-	1.0	32	120

NOTE: Continued product improvement makes specification sheets subject to change without notice.

\*\* With projector service and tap water at 80°F

† UL 399 and ASHRAE (previously ARI 1010) compliant

Protected by Halsey Taylor's Limited Warranty. Warranty details available at halseytaylor.com.



halseytaylor.com

HALSEY TAYLOR, 2222 Camden Court, OakBrook, IL 60523

# Model HTHB-HAC-RF-NF HAC Retro Fit Hydroboost® Bottle Filler

## OPERATING PRESSURES

Supply water - 105 psi maximum  
Minimum 40 psi supply line pressure required in special circumstances where both sides of bi-level are in use simultaneously to ensure adequate stream height. Use of water filter in this situation is not recommended.

**NOTE:** A service stop (not included) must be installed at the water inlet line.  
**NOTE:** P-Trap (not supplied) to be installed per local building code.

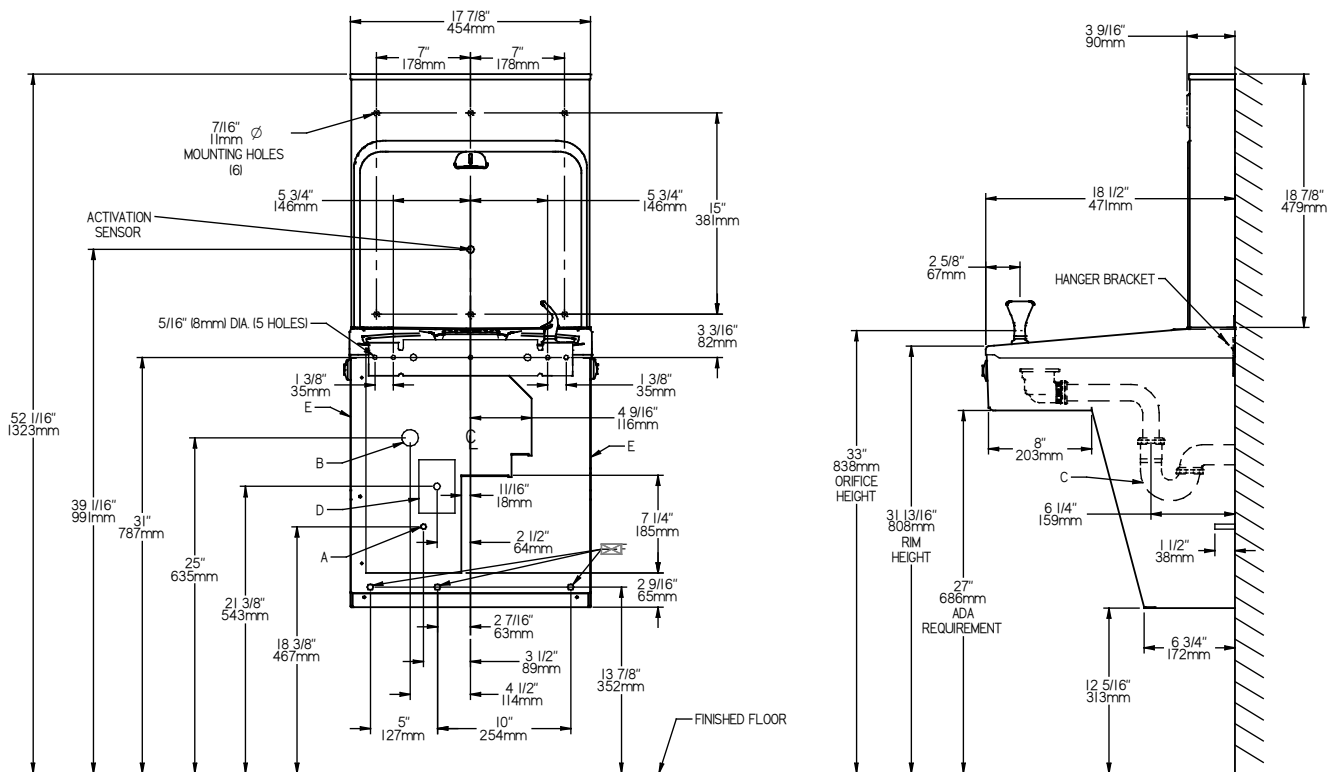
## ELECTRICAL

Hydroboost® station equipped with electric cord and three-prong molded rubber plug for use with 15-amp minimum receptacle. Rated at 115 volt, 60 Hz, single phase.

## SINGLE COOLER

FRONT VIEW

SIDE VIEW



REDUCE HEIGHT BY 3" FOR INSTALLATION OF CHILDRENS ADA COOLER

### LEGEND:

- A = Recommended Water Supply location. Shut-off Valve (not furnished) to accept 3/8" O.D. unplated copper tube. Up to 3" (76mm) maximum out from wall.
  - B = Recommended Waste Outlet location. To accommodate 1-1/4" nominal drain. Drain stub 2" (51mm) out from wall.
  - C = 1-1/4" Trap (not furnished).
  - D = Electrical Supply (3) Wire Recessed Box Duplex Outlet.
  - E = Insure proper ventilation by maintaining 6" (152mm) minimum clearance from cabinet louvers to wall.
  - F = 7/16" (11mm) Bolt Holes for fastening to wall.
- \*\*New Installations Must Use Ground Fault Circuit Interrupter (GFCI).

Job Name: \_\_\_\_\_

Model: \_\_\_\_\_ Qty. \_\_\_\_\_

Contact: \_\_\_\_\_

Approval Signature: \_\_\_\_\_

Notes: \_\_\_\_\_

*Halsey Taylor*®

# Model HTHB-HAC-RF-NF HAC Retro Fit Hydroboost® Bottle Filler

## OPERATING PRESSURES

Supply water - 105 psi maximum  
Minimum 40 psi supply line pressure required in special circumstances where both sides of bi-level are in use simultaneously to ensure adequate stream height. Use of water filter in this situation is not recommended.

**NOTE:** A service stop (not included) must be installed at the water inlet line.  
**NOTE:** P-Trap (not supplied) to be installed per local building code.

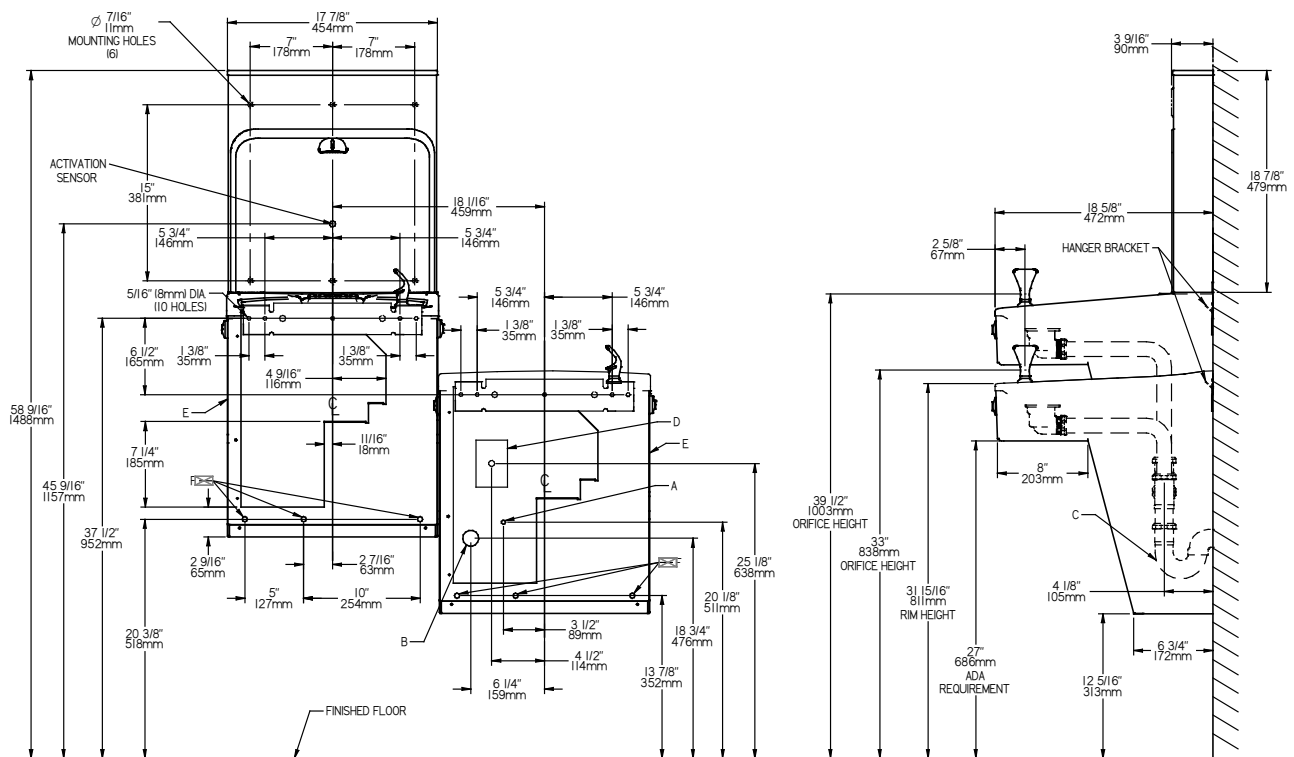
## ELECTRICAL

Hydroboost® station equipped with electric cord and three-prong molded rubber plug for use with 15-amp minimum receptacle. Rated at 115 volt, 60 Hz, single phase.

## BI-LEVEL COOLER

FRONT VIEW

SIDE VIEW



REDUCE HEIGHT BY 3" FOR INSTALLATION OF CHILDRENS ADA COOLER

### LEGEND:

- A = Recommended Water Supply location. Shut-off Valve (not furnished) to accept 3/8" O.D. unplated copper tube. Up to 3" (76mm) maximum out from wall.
  - B = Recommended Waste Outlet location. To accommodate 1-1/2" nominal drain. Drain stub 2" (51mm) out from wall.
  - C = 1-1/2" Trap (not furnished).
  - D = Electrical Supply (3) Wire Recessed Box Duplex Outlet.
  - E = Insure proper ventilation by maintaining 6" (152mm) minimum clearance from cabinet louvers to wall.
  - F = 7/16" (11mm) Bolt Holes for fastening to wall.
- \*\*New Installations Must Use Ground Fault Circuit Interrupter (GFCI).

Job Name: \_\_\_\_\_

Model: \_\_\_\_\_ Qty. \_\_\_\_\_

Contact: \_\_\_\_\_

Approval Signature: \_\_\_\_\_

Notes:

*Halsey Taylor*®