

Catalog #		Date		Prepared by	
Project		Type		Notes	

# HALO™

OUTDOOR LIGHTING



## SLST SOLAR AREA FLOODLIGHT

WITH ALL-IN-ONE DESIGN AND 3 MODES OF OPERATION



Halo Outdoor all in one integrated solar streetlight adds safety and security to your home, property, or business with its ultra bright, long-lasting, all-weather lighting. It comes with an efficient solar panel for a seamless experience. Choose from 4 lumen packages and mount up to 15ft. With 3 selectable modes and integrated dusk-to-dawn functionality, it's perfect for rural and off-grid areas. Easy to install with a 1-year warranty.

### TOP PRODUCT FEATURES

**INTERACTIVE MENU**

- [Order Information](#) page 5
- [Product Specification](#) page 6
- [Product Warranty](#) page 6
- [Product Dimensions](#) page 5
- [Photometric Data](#) page 6

- Durable weather resistant polycarbonate construction with IP65 rating
- Rechargeable Li-Ion battery pack included.
- Three operation modes: Motion Mode, Dusk-to-dawn mode, Motion + Dusk-to-dawn mode
- Top mounted solar panel ensures light is easily adjustable up and down for optimum positioning for direct sunlight.
- High-efficiency solar panel, waterproof and dustproof construction, and high-impact ABS polycarbonate lens for ultra durability
- Motion sensor with 120-degree detection zone and 25-ft detection distance
- Adjustable LED panels enable user to direct light further outward if preferred.
- Wall and pole mount accessories included.
- Available in textured bronze finish
- 1-year warranty

### PRODUCT CERTIFICATION



### TYPICAL APPLICATIONS

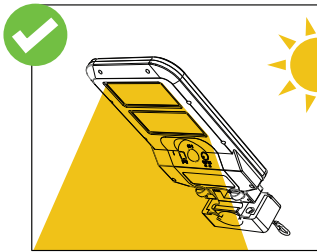


### COMMERCIAL & RESIDENTIAL OUTDOOR

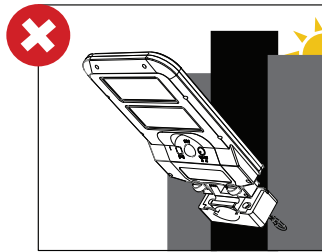
- Garages
- Carports
- Driveways
- Loading Bays
- Warehouses
- Apartment Complexes
- Hotels
- Offices
- General Security Lighting

Or anywhere where trenching wire is cost prohibited.  
Put light anywhere simply and easily with Solar Power!

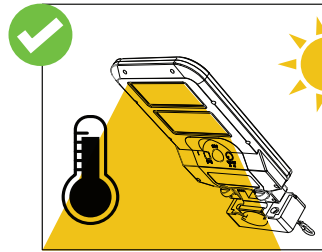
### MOUNTING LOCATION BEST PRACTICES



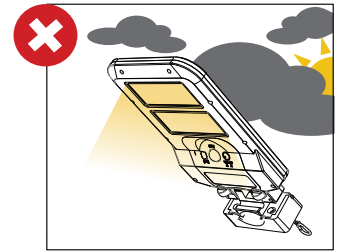
Most hours of direct sunlight, unblocked by trees or buildings



Limited or no direct sunlight, shaded or blocked by trees or buildings



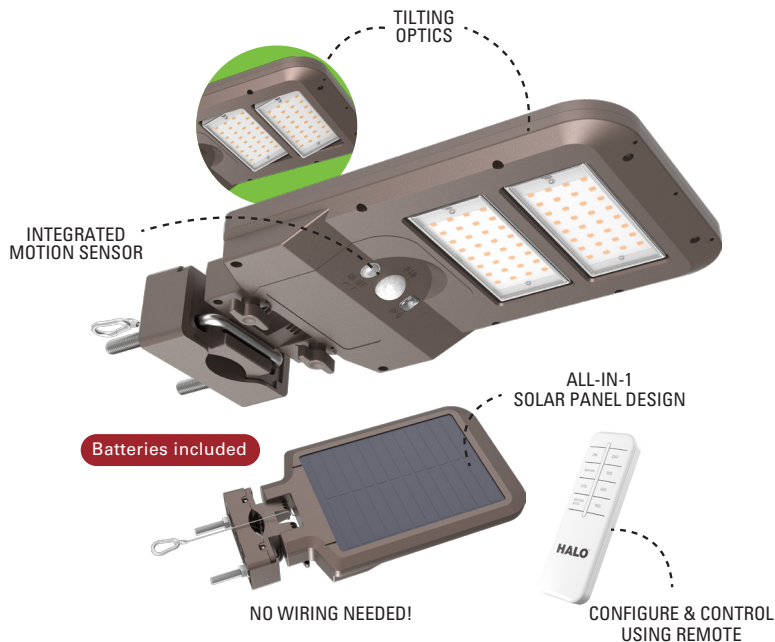
Warmer location with predominant sunshine = Maximum performance



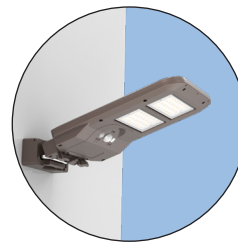
Cold location with consecutive cloud covered days = Possible inconsistent performance

### PRODUCT FEATURE HIGHLIGHTS

#### ALL IN 1 DESIGN WITH REMOTE CONTROL



#### MULTIPLE WAYS TO MOUNT



**WALL MOUNT**  
Mount light fixture to wall using included lag screws



**POLE MOUNT**  
Pole Mount (pole sold separately) by using included hardware

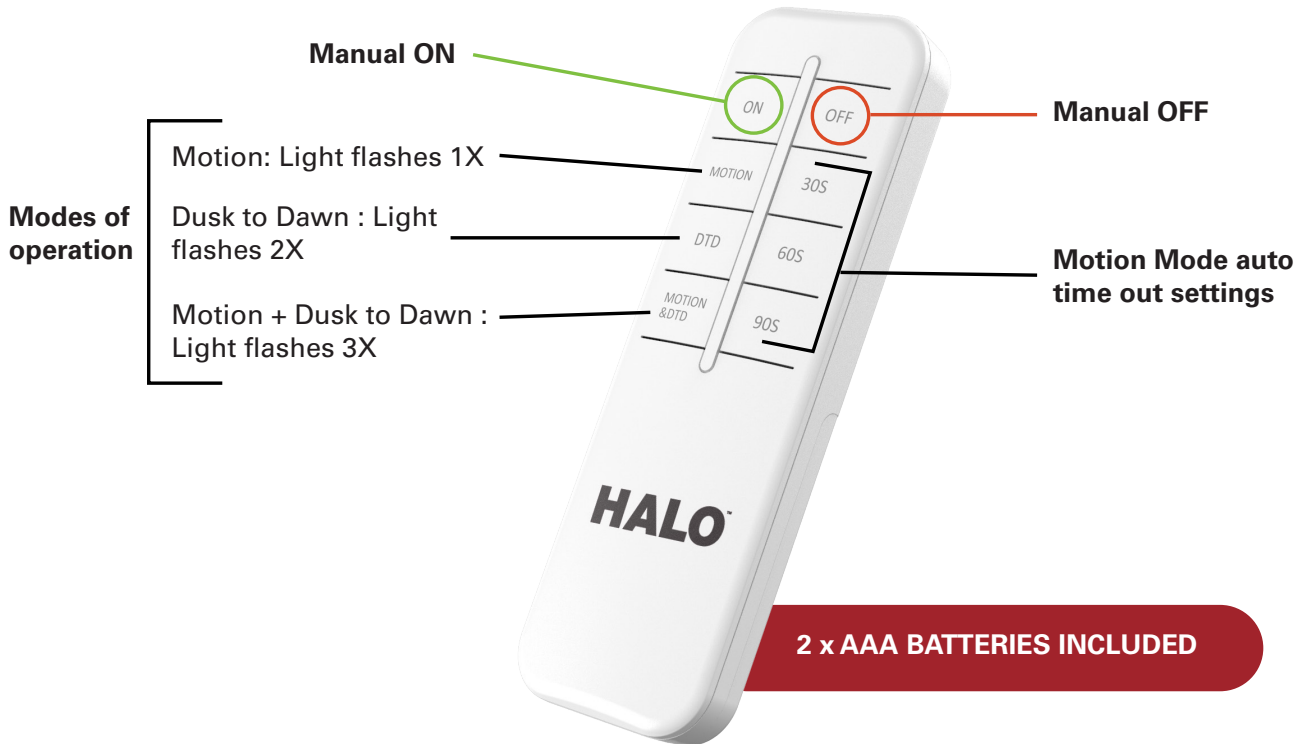
### PRODUCT FEATURE HIGHLIGHTS (CONTINUATION)

#### INTEGRATED MOTION SENSOR



Fixture can be mounted 15' and motion sensor has a detection angle(range) of 120 Degrees and can detect people up to 25' away.

#### REMOTE CONTROL SETTINGS



### MODES OF OPERATION

 After sun down, fixture turns on  
Après le coucher du soleil, le luminaire s'allume

 At sunrise, fixture turns off  
Au lever du soleil, le luminaire s'éteint

**DUSK to DAWN MODE**  
**MODE CRÉPUSCULE à AUBE**

**RUN TIME**  
12 HRS

**COURIR TEMPS**  
12H

**MOTION ACTIVATED MODE**  
**MODE ACTIVÉ PAR MOUVEMENT**

**RUN TIME**  
1.5 HRS

**COURIR TEMPS**  
1.5 H



Fixture on @ 12% all night  
Fixation sur @ 12% toute la nuit



Fixture off during the day  
Appareil éteint pendant la journée



No Motion: Fixture off  
Aucun mouvement : appareil éteint




With Motion: Fixture on @ 100%  
Avec mouvement : luminaire activé à 100%



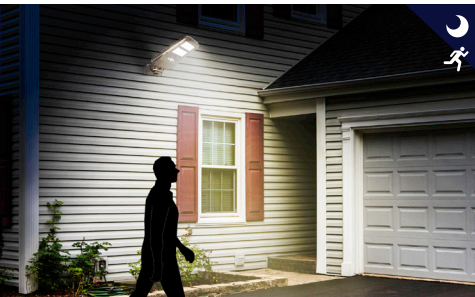
After time out: Fixture turns off  
Après temporisation : le luminaire s'éteint

**DUSK to DAWN + MOTION ACTIVATED MODE / CRÉPUSCULE à AUBE + MODE ACTIVÉ PAR LE MOUVEMENT**

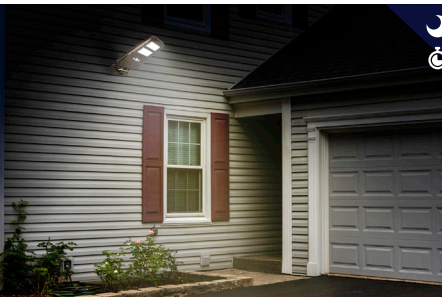
**RUN TIME** 11.5 HRS    **COURIR TEMPS** 11.5 H



At night fixture turns on @ 8% brightness  
Fixation sur @ 8% toute la nuit



When motion is detected fixture increases to 30% brightness  
Lorsqu'un mouvement est détecté, le luminaire augmente à 30 % de luminosité



Fixture dims down to 8% brightness after time out  
Le luminaire s'atténue à 8% de luminosité après un délai d'attente

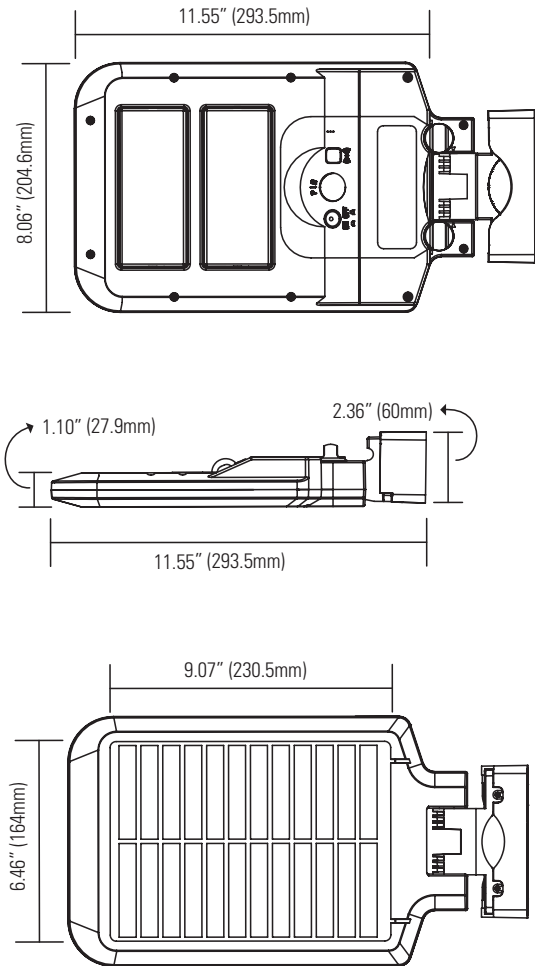
Catalog Number	Initial Lumen Output	Operation Mode	Lumens in Motion Mode	Lumens in D2D Mode	Initial Lumen	Runtime	Final Lumen
SLST105MB	1000LM	Motion	1000	NA	1000	90 Min	500
		Motion + D2D	300 (30 Min)	80	80	11 Hrs 30 Min	0
		D2D	NA	120	120	12 hrs	0
SLST155MB	1500LM	Motion	1500	NA	1500	90 Min	750
		Motion + D2D	450 (30 Mins)	120	120	11 Hrs 30 Min	0
		D2D	NA	180	180	12 hrs	0
SLST305MB	3000LM	Motion	3000	NA	3000	90 Min	1500
		Motion + D2D	900 (30 Mins)	240	240	11 Hrs 30 Min	0
		D2D	NA	360	360	12 hrs	0
SLST455MB	4500LM	Motion	4500	NA	4500	90 Min	need data
		Motion + D2D	need data	need data	need data	11 Hrs 30 Min	0
		D2D	NA	need data	need data	12 hrs	0

### ORDER INFORMATION

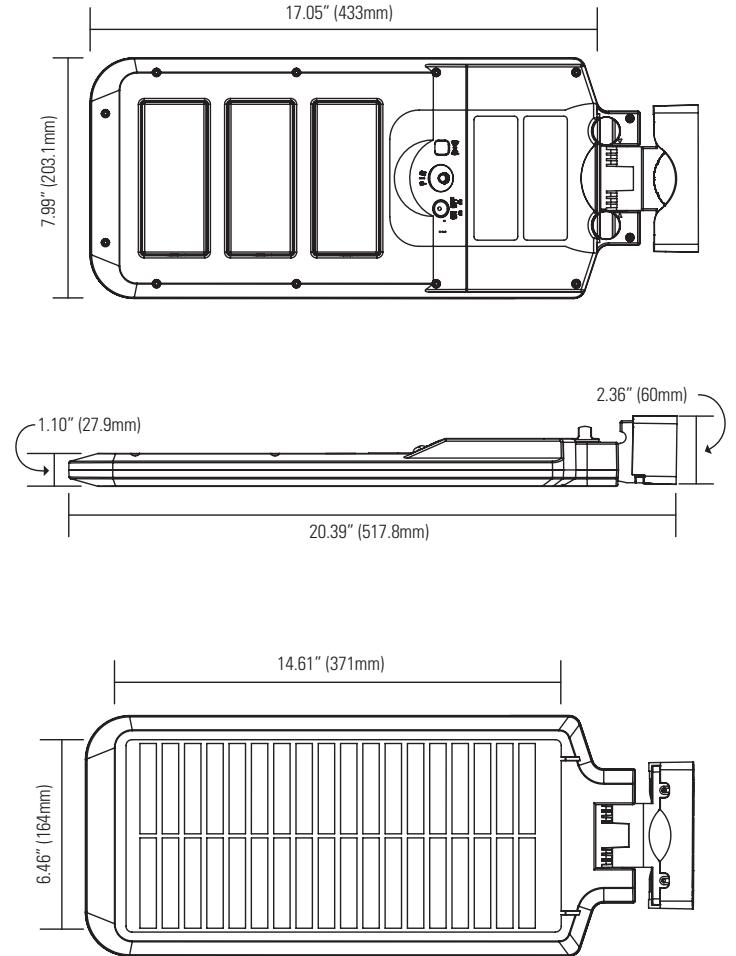
Catalog Number	Description	Material No.	UPC	Case Qty	Case Dimensions (in.)			Weight (lbs)
					L	W	H	
SLST105MB	SOLAR STRT LIGHT,1000LM,5000K,MTN+D2D,BR	13631761	080083273386	4	15.35	8.27	2.56	3.53
SLST155MB	SOLAR STRT LIGHT,1500LM,5000K,MTN+D2D,BR	13631762	080083274109	4	15.35	8.27	2.56	3.53
SLST305MB	SOLAR STRT LIGHT,3000LM,5000K,MTN+D2D,BR	13631763	080083274123	4	20.87	8.27	2.56	5.26
SLST455MB	SOLAR STRT LIGHT,4500LM,5000K,MTN+D2D,BR	13631764	080083274147	4	20.87	8.27	2.56	5.26

### PRODUCT DIMENSIONS

SLST105MB  
SLST155MB



SLST305MB  
SLST455MB



### PRODUCT SPECIFICATIONS

#### Construction

- Durable polycarbonate housing suitable for wet locations
- All-in-one design that includes fixture housing, solar panel, battery, and LED light source
- UV stable polycarbonate housing
- LED indicator light provides battery charging & discharging status

#### Optics

- Produces rated lumens when fully charged
- 5000K CCT perfect for security applications
- Clear lens for maximum light output

#### Controls

- 3 different operating modes configurable with included RF Remote control and also including standard On/Off functionality.
  - Motion Mode
  - Dusk to Dawn Mode
  - Motion + Dusk to Dawn Mode
- Auto Time Out settings of 30S, 60S & 90S when using a motion mode before light turns off
- Dimming levels determined by selected mode of operation.
- Remote Control Range: 20ft-25ft

#### Motion Sensor

- Passive Infrared motion sensor with a 120° detection range.
- Maximum detection distance of 25'.

#### Mounting

- Wall mount using included (2) lag screws and washers.
- Pole mount to any standard 2" curved pole (sold separately) with included U-bolt
- Mounting hardware included in packaging.

#### Electrical

- 120° Motion sensor with detection range up to 20 feet.
- Integrated rechargeable Li-Ion battery pack
- 70-minute continuous runtime on a full charge in motion mode
- Maintenance - free LEDs with estimated 50,000 hours lifespan based on LM-80 results and TM-21 calculations.
- Rated for ambient operating temperature range from -32°F (0°C) to 104°F (40°C)
- Integral photocell allows for nighttime ON / daytime OFF operation

#### Compliance

- UL certified for USA and Canada for wet locations.
- Contains no mercury or lead - RoHS compliant (RoHS 2.0)
- UL Wet location
- Photometric testing in accordance with IES LM-79-08
- Lumen maintenance projections in accordance with IES LM-80-08 and TM-21-11.
- UN38.3 transportation certified

#### Battery

- Total battery capacity of 90 minutes if run continuously at full brightness.
- Battery recharge time of 8 hours in full direct sunlight
- Batteries are not removable or replaceable.

#### Battery

Textured Bronze Finish

#### Warranty

- One year limited warranty, consult website for details. [www.cooperlighting.com](http://www.cooperlighting.com)

### OPTIONAL ACCESSORIES (SOLD SEPARATELY)



**SBL-RC**  
Solar Barn Light,  
Remote Control

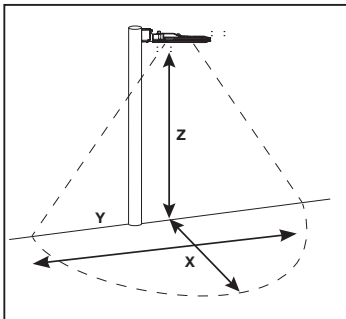


**EA24**  
24in Mounting  
Arm for Area  
Lights

### PHOTOMETRIC DATA

Series	Battery capacity (WH)	Delivered Lumens (lm)	CCT (K)	CRI
SLST105MB	16.28	1000	5000K	70
SLST155MB	16.28	1500	5000K	70
SLST305MB	32.56	3000	5000K	70
SLST455MB	48.84	4500	5000K	70

### SUGGESTED MOUNTING HEIGHT



Minimum Footcandles (FC)		0.50 FC							
Mounting Height (Z)		8'		10'		15'		20'	
Catalog Number	Lumens	X	Y	X	Y	X	Y	X	Y
SLST105MB	1118	12	24	13	26	14	29	/	/
SLST155MB	1547	12	27	14	30	16	33	/	/
SLST305MB	2953	16	33	17	36	21	42	/	/
SLST455MB	4470	17	36	20	41	23	48	26	53

X = Forward Throw  
Y = Wall Spread  
Z = Mounting Heights

Notes:  
Forward throw X = 1/2 Y for wall-mount applications only  
See IES files for detailed photometry