

DESCRIPTION

A family of Gimbal Ring lampholders designed for PAR30 or PAR38 lamps. Lampholders are available in Satin White or Matte black finishes. For use with Halo and Lazer-by-Halo track systems.

Catalog #	Type
Project	
Comments	
Prepared by	Date

SPECIFICATION FEATURES

A...Electrical Quick Lock Adapter

Polycarbonate casing. Attaches electrically and mechanically anywhere along the track. Visual polarity line assures proper grounding. Two position conductor allows use in single circuit and either circuit of two circuit track.

B...Yoke

Matching finish yoke allows lampholder to rotate 338° and adjust vertically from ±90°.

C...Gimbal Ring

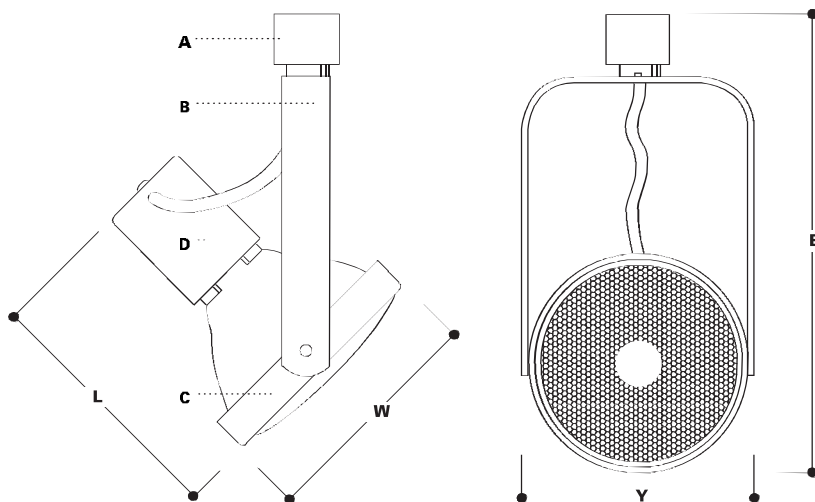
Die formed gimbal ring contains lamp retention springs, provides lamp regress for optimum lamp position, provides uniform appearance between lamp types.

D...Socket Housing

Deep drawn steel housing with matching finish.

Listings

UL listed and CSA certified for use with Halo and Lazer-by-Halo track and track systems.



L1738 shown in illustration.



L1730



L1738

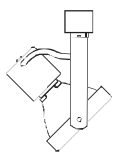
**LINE VOLTAGE
GIMBAL RING
LAMP HOLDERS**

Power-Trac

ORDERING INFORMATION

SAMPLE NUMBER: L1738P

Lampholders	Finishes	Accessories
L1730 L1738	P=Satin White MB=Black	See below

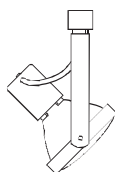


L1730

For use with:
75W PAR30
L =4 1/4" [108mm]
W=4" [102mm]
E =7 15/16" [202mm]
Y =4 3/16" [107mm]

Accessories

L1961 Barn Doors L230 Accessory Clips Allows use of L200 Series Color Filters & L275 Louver



L1738

For use with:
250W PAR38
L =6" [156mm]
W=5" [127mm]
E =10 1/4" [260mm]
Y =5 1/4" [134mm]

Accessories

L1961 Barn Doors L278 Accessory Clips Allows use of L200 Series Color Filters & L275 Louver

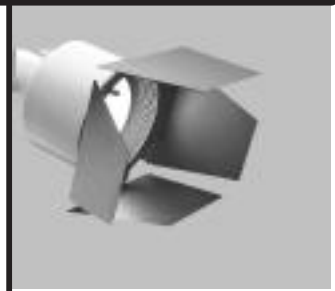
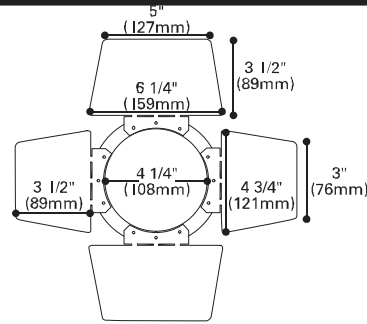
ADV990332

ACCESSORIES

Barn Door Shutters

L1961=Barn Door Shutters for use with L1730, (requires L230 clips) or L1738 (requires L236 clips). Allows use of L200 Series filters, lenses and louvers.

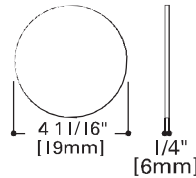
Color Code: MB



L1961 Barn Doors

L200 Series Color Filters

- L211**=Medium Pink Color Filter
- L212**=Warm Red Color Filter
- L214**=Ultraviolet Filter
- L220**=Daylight Blue Color Filter
- L221**=Medium Blue Color Filter
- L231**=Medium Amber Color Filter
- L241**=Medium Green Color Filter

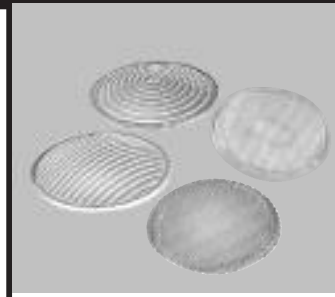
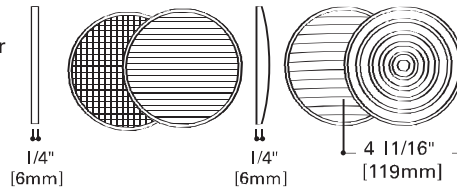


L200 Series Color Filters

L200 Series Optical Lenses

L1961 Barn Door Shutters required to hold lenses.

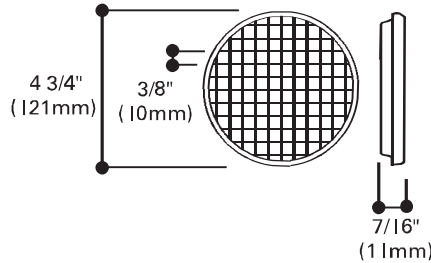
- L210**=Linear Spread Lens
L210 lens fans out light beam 55° - 27 1/2° each side of center
- L215**=Radial Spread Lens
L215 lens spreads light beam 30° in all directions - 15° on all sides of center
- L250**=Linear Spread Lens
L250 lens spreads light beam in one direction
- L265**=Prismatic Spread Lens
L265 Spreads light beam in all directions



L200 Lenses

L275 Cube Cell Louver

4 3/4" OD (121mm) . Black finish 1/2" cells for directing light and eliminating glare.



L275 Cube Louver

L230 and L278 Accessory Clips

For use with L1730 and L1738 to attach L1961 Barn Doors or L200 series uv filter, lenses and color filters and L275 louver.



L230/278 Clips

Note: Specifications and Dimensions subject to change without notice.

Visit our web site at www.cooperlighting.com