

## DESCRIPTION

H36LVTAT is a Non-IC AIR-TITE™ fixture for use with H3 3" series trims. Housing is AIR-TITE rated to prevent airflow between heated or air conditioned spaces and unconditioned attic areas. For use with 12V MR16 lamps.

Non-IC Housing is AIR-TITE™ but insulation must be kept 3" away from all sides of housing.

<b>Catalog #</b>		<b>Type</b>
<b>Project</b>		
<b>Comments</b>		<b>Date</b>
<b>Prepared by</b>		

## SPECIFICATION FEATURES

### Housing

Formed of 20 gauge CRS with white powder coat finish.

### Plaster Frame

Housing adjusts in plaster frame to accommodate up to 1-1/2" ceiling thickness. Galvanized steel construction.

Plaster frame features include:

- Regressed locking screw for securing hanger bars.
- Cutouts for easily crimping hanger bars in position.
- Halo name embossed on plaster frame.
- The housing may be removed from the plaster frame to provide access to the junction box.
- Pre-installed AIR-TITE gasket

### Got NAIL!™ Bar Hangers

- Pre-installed nail easily installs in regular lumber, engineered lumber and laminated beams.
- Safety and guidance system prevents snagging, ensures smooth straight nail penetration and allows bar hangers to be easily removed if necessary.

- Automatic levelling flange aligns the housing and lets you hold the housing in place with one hand while driving nails.
- Housing can be positioned at any point within 24" joist span
- Pass-N-Thru™ feature allows bar hangers to be shortened without removing from plaster frame.
- Score lines allow "toolless" shortening for 12" joists.
- Bar hangers may be repositioned 90°.
- Integral T-bar clip snaps onto T-bars - no additional clips required.

### Junction Box

- UL Listed for through branch circuit wiring (maximum 8 No.12 ga., 90°C conductors).
- Four 1/2" trade size conduit knockouts with true pry-out slots are positioned to accommodate straight conduit runs.
- Three Slide-N-Side™ wire traps allow non-metallic sheathed cable to be installed without tools and without removing knockouts. Accepts a wide range of non-metallic sheathed cable.

- Allows wiring connections to be made outside the junction box.
- Simply insert the cable directly into the trap after connections are made.
- Three push-in wirw connectors are included and eliminate the need for separate wire nuts.
- Accommodates the following standard non-metallic sheathed cable sizes:  
(US) #14/2, #14/3, #12/2, #12/3  
(Canada) #14/2, #14/3, #12/2

### Transformer

Integral magnetic transformer steps 120V line voltage down to 12V lamp operating voltage.

### Socket

GU5.3 socket for 12V MR16 lamps

### Labels

- UL/cUL Listed 1598 Luminaire
- UL/cUL Damp Location Listed
- UL/cUL Listed for Feed Through
- Certified Under ASTM-E283 for air tight construction



## H36LVTAT

**3" Non-Insulated Ceiling  
AIR-TITE™ Recessed  
Housing  
12V MR16**

3" TRIMS

FOR USE IN NON-INSULATED CEILINGS

CAN BE USED IN INSULATED CEILINGS BUT INSULATION MUST BE KEPT 3" FROM ALL SIDES OF THE HOUSING



12V MR16

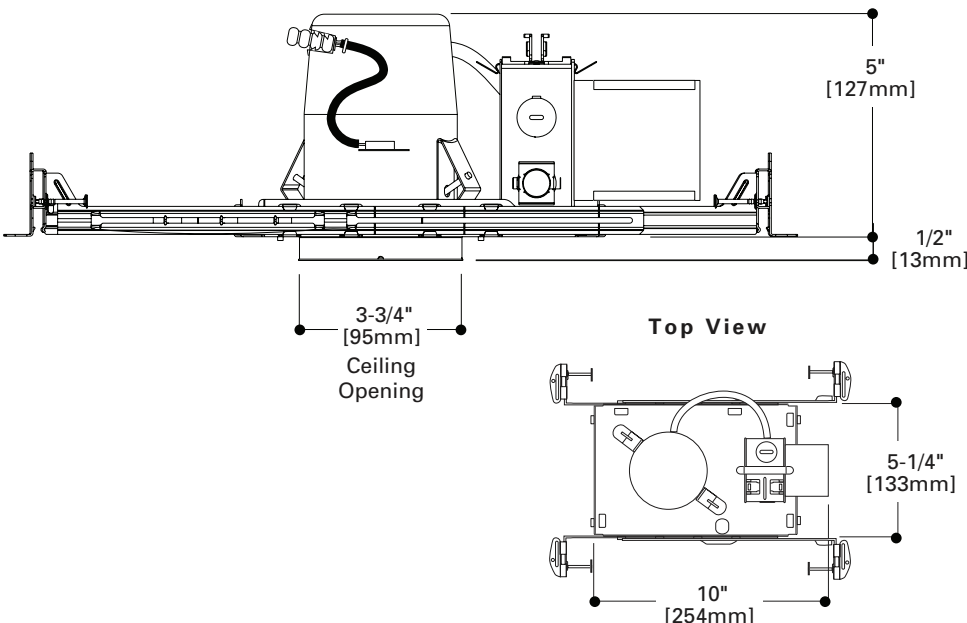
### Transformer Data:

Type: Magnetic  
Primary: 120VAC, 60 Hz  
Secondary: 11.5 ±0.3V



### Features

- Slide-N-Side™ Junction Box
- GOT NAIL!™ Bar Hangers
- Pass-N-Thru™ Bar Hangers
- Regressed Locking Screw
- HALO ID on Plaster Frame



## ORDERING INFORMATION

SAMPLE NUMBER: H36LVTAT-3001WHBB

Order housing and trims separately.

## Housing

## H36LVTAT

H36LVTAT=3" AIR-TITE™  
Non-IC Small  
Aperture Low  
Voltage MR16  
Housing

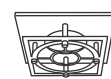
## Trims



**Adjustable Pinhole Baffle - 15° Tilt**  
**50W 12V MR16**  
3001WHBB=White with Black Baffle  
3001BKBB=Black with Black Baffle  
3001SNBB=Satin Nickel with Black Baffle  
3001ACBB=Antique Copper with Black Baffle  
3001TBZBB=Tuscan Bronze with Black Baffle  
OD: 4-1/4" [108mm]



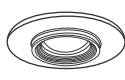
**Adjustable Gimbal - 35° Tilt**  
**50W 12V MR16**  
3009WHBB=White with Black Baffle  
3009WHWB=White with White Baffle  
3009BKBB=Black with Black Baffle  
3009SNBB=Satin Nickel with Black Baffle  
3009ACBB=Antique Copper with Black Baffle  
3009TBZBB=Tuscan Bronze with Black Baffle  
OD: 4-1/4" [108mm]



**Square Drop Glass**  
**50W 12V MR16**  
3018SGSC=Square Designer Drop Glass  
with Satin Chrome Trim  
OD: 4-1/4" [108mm]



**Adjustable Pinhole Reflector- 15° Tilt**  
**50W 12V MR16**  
3002WHC=White with Clear Reflector  
3002BKC=Black with Clear Reflector  
3002SNC=Satin Nickel with Clear Reflector  
3002ACC=Antique Copper with Clear Reflector  
3002TBZC=Tuscan Bronze with Clear Reflector  
OD: 4-1/4" [108mm]



**Super Adjustable - 0 - 80° Adjustment**  
**50W 12V MR16**  
3010WH=White  
3010SN=Satin Nickel  
3010TBZ=Tuscan Bronze  
OD: 4-1/4" [108mm]



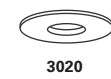
**Round Drop Glass**  
**50W 12V MR16**  
3019RGSC=Round Designer Drop Glass  
with Satin Chrome Trim  
OD: 4-1/4" [108mm]



**Adjustable Baffle - 35° Tilt**  
**50W 12V MR16**  
3003WHBB=White with Black Baffle  
3003WHWB=White with White Baffle  
3003BKBB=Black with Black Baffle  
3003SNBB=Satin Nickel with Satin Nickel Baffle  
3003ACB=Antique Copper with Antique Copper Baffle  
3003TBZB=Tuscan Bronze with Tuscan Bronze Baffle  
OD: 4-1/4" [108mm]



**Square Adjustable - 15° Tilt**  
**50W 12V MR16**  
3011WHBB=White with Black Baffle  
3011WHWB=White with White Baffle  
3011BKBB=Black with Black Baffle  
3011SNBB=Satin Nickel with Black Baffle  
3011ACBB=Antique Copper with Black Baffle  
3011TBZBB=Tuscan Bronze with Black Baffle  
OD: 4-1/4" [108mm]



**Wall Wash**  
**50W 12V MR16**  
3020WW=White Downlight & Wall Wash  
with Integral Kick Reflector  
OD: 4-1/4" [108mm]



**Adjustable Reflector - 35° Tilt**  
**50W 12V MR16**  
3004WHC=White with Clear Reflector  
3004BKC=Black with Clear Reflector  
3004SN=Satin Nickel with Satin Nickel Reflector  
3004AC=Antique Copper with Antique Copper Reflector  
3004TBZ=Tuscan Bronze with Tuscan Bronze Reflector  
3004WHH=White with Haze Reflector  
3004WHW=White with White Reflector  
OD: 4-1/4" [108mm]



**Square Regressed Lens Adjustable**  
**Showerlight - 15° Tilt**  
**50W 12V MR16**  
3012WHBB=White with Black Baffle  
3012WHWB=White with White Baffle  
3012BKBB=Black with Black Baffle  
3012SNBB=Satin Nickel with Black Baffle  
3012ACBB=Antique Copper with Black Baffle  
3012TBZBB=Tuscan Bronze with Black Baffle  
OD: 4-1/4" [108mm]



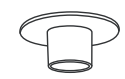
**Crossblade Reflector**  
**50W 12V MR16**  
3005WHC=White with Clear Reflector  
3005BKC=Black with Clear Reflector  
OD: 4-1/4" [108mm]



**Square Adjustable Gimbal - 35° Tilt**  
**50W 12V MR16**  
3013WH=White  
3013BK=Black  
3013SN=Satin  
3013AC=Antique Copper  
3013TBZ=Tuscan Bronze  
OD: 4-1/4" [108mm]



**Adjustable Slot Aperture - 35° Tilt**  
**50W 12V MR16**  
3006WHBB=White with Black Baffle  
3006BKBB=Black with Black Baffle  
3006SNBB=Satin Nickel with Black Baffle  
3006ACBB=Antique Copper with Black Baffle  
3006TBZBB=Tuscan Bronze with Black Baffle  
OD: 4-1/4" [108mm]



**Glass Cylinder - Frost Glass with Optional**  
**Blue Glass Included**  
**50W 12V MR16**  
3014FBWH=Frost/Blue Glass Cylinder with  
White Trim  
3014FBSC=Frost/Blue Glass Cylinder with  
Satin Chrome Trim  
OD: 4-1/4" [108mm]



*Showerlight*

**Regressed Lens Showerlight - 15° Tilt -**  
**Wet Location Listed**  
**50W 12V MR16**  
3007WHC=White with Clear Reflector  
3007PCC=Polished Chrome with Clear Reflector  
3007SN=Satin Nickel with Satin Nickel Reflector  
3007AC=Antique Copper with Antique Copper Reflector  
3007TBZ=Tuscan Bronze with Tuscan Bronze Reflector  
OD: 4-1/4" [108mm]



**Low Profile Glass Curve**  
**50W 12V MR16**  
3016FG=Frost Glass Curve  
3016BG=Blue Glass Curve  
3016AG=Amber Glass Curve  
OD: 4-1/4" [108mm]



*Showerlight*

**Showerlight - Wet Location Listed**  
**50W 12V MR16**  
3008FG=White Polymer and Glass Lens with  
Frosted Perimeter  
OD: 4-1/4" [108mm]



*Showerlight*

**All-Glass Frost Curve Showerlight -**  
**Wet Location Listed**  
**50W 12V MR16**  
3017FGS=All-Glass Frost Curve with Clear  
Glass Center - Showerlight  
OD: 4-1/4" [108mm]