

Project		Catalog #		Type	
Prepared by		Notes		Date	



HALO

LT56

5" & 6" All Purpose LED Retrofit Trim
up to 750 Lumen Series
90 CRI

Typical Applications

Residential

Interactive Menu

- Order Information [page 2](#)
- Product Specifications [page 3](#)
- Photometric Data [page 4](#)
- Energy & Performance Data [page 4](#)
- Product Warranty

Product Certification



Refer to ENERGY STAR® Certified Products List.
Can be used to comply with California Title 24 High Efficacy requirements.
Certified to California Appliance Efficiency Database under JAS.
NOTE: Due to T20 changes as of July 1st 2019 consult factory for current catalog number and availability for T20 compliant products.

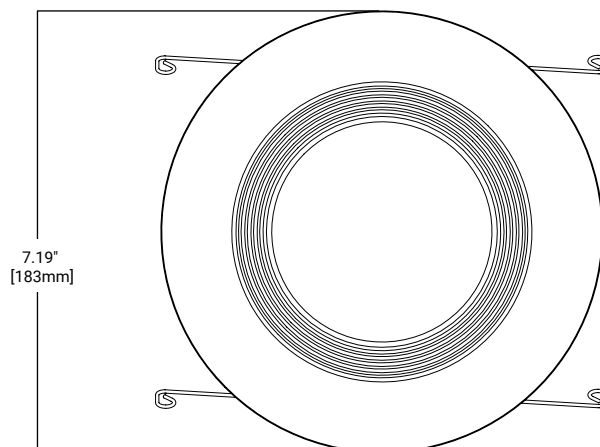
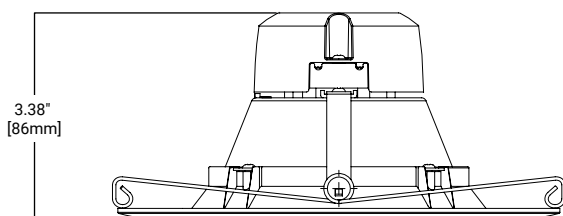
Product Features



Top Product Features

- ENERGY STAR® certified
- 2700K, 3000K, 3500K, 4000K, 5000K; 90CRI
- Retrofits existing 5" or 6" housings with screwbase adapter included
- Dead Front construction
- Dimmable down to 10%

Dimensional and Mounting Details



Order Information

SAMPLE ORDER NUMBER: **LT560WH6930R**

A complete luminaire consists of a housing and a LED integrated trim, order separately.

Module	Finish	Lumens	CRI/CCT	Packaging	T20 Compliant
Module	Finish	Lumens	CRI/CCT	Accessories	
LT560 = 5" and 6" integrated LED trim	WH = matte white	6 = 600 lumen series (nominal) 9 = 900 lumen series (nominal) See table below for details.	927 = 90 CRI (minimum), 2700K CCT 930 = 90 CRI (minimum), 3000K CCT 935 = 90 CRI (minimum), 3500K CCT 940 = 90 CRI (minimum), 4000K CCT 950 = 90 CRI (minimum), 5000K CCT	R = Recyclable	-CA = California

Accessories

Accessories

HE26LED = Replacement medium base (E26) screw base adapter (one included with unit)

Housing Compatibility

Compatible Halo LED Housings with LED Luminaire Connector (high-efficacy compliant – Title 24)

Halo LED H550ICAT = 5" LED, Insulated Ceiling, Air-Tite, New Construction Housing H550RICAT = 5" LED, Insulated Ceiling, Air-Tite, Remodel Housing	H750ICAT = 6" LED, Insulated Ceiling, Air-Tite, New Construction Housing H750RICAT = 6" LED, Insulated Ceiling, Air-Tite, Remodel Housing H750T = 6" LED, Non-IC, Air-Tite, New Construction Housing H750TCP = 6" LED, Non-IC, New Construction/Remodel Chicago Plenum Housing H2750ICAT = 6" LED, Shallow, Insulated Ceiling, Air-Tite, New Construction (use with 691X, 694X, 696X trims only) H2750RICAT = 6" LED, Shallow, Insulated Ceiling, Air-Tite, Remodel (use with 691X, 694X, 696X trims only)
---	---

Housing Compatibility

Halo LED Retrofit Enclosures

Halo LED Retrofit Enclosures
ML7BXRFK = 6" Retrofit Enclosure, Non-IC, BX Whip
ML7E26RFK = 6" Retrofit Enclosure, Non-IC, E26 Screw base Interface

Housing Compatibility

Halo LED Retrofit Enclosures

Halo LED Retrofit Enclosures H5ICAT = 5" Insulated Ceiling, Air-Tite New Construction Housing H5ICATNB = 5" Insulated Ceiling, Air-Tite New Construction Housing, No Socket Bracket H5RICAT = 5" Insulated Ceiling, Air-Tite Remodel Housing H5T = 5" Non-IC, New Construction Housing H5TNB = 5" Non-IC, New Construction Housing, No Socket Bracket H5RT = 5" Non-IC, Remodel Housing H5TM = 5" Hi-Lumen All Purpose LED Retrofit Trim H25ICAT = 5" Shallow, Insulated Ceiling, Air-Tite New Construction H25ICATNB = 5" Shallow, Insulated Ceiling, Air-Tite New Construction, No Socket Bracket E5ICAT = 5" Insulated Ceiling, Air-Tite New Construction Housing E5ICATNB = 5" Insulated Ceiling, Air-Tite New Construction Housing, No Socket Bracket E5RICAT = 5" Insulated Ceiling, Air-Tite Remodel Housing E5RTAT = 5" Non-IC, Remodel Housing E5TAT = 5" Non-IC, New Construction Housing E5TATNB = 5" Non-IC, New Construction Housing, No Socket Bracket	H7ICAT = 6" Hi-Lumen All Purpose LED Retrofit Trim HH7RICAT = 6" Hi-Lumen All Purpose LED Retrofit Trim H7ICT = 6" Hi-Lumen All Purpose LED Retrofit Trim H7RICT = 6" Hi-Lumen All Purpose LED Retrofit Trim H7ICATNB = 6" Hi-Lumen All Purpose LED Retrofit Trim H7ICTNB = 6" Hi-Lumen All Purpose LED Retrofit Trim H7T = 6" Hi-Lumen All Purpose LED Retrofit Trim H7RT = 6" Hi-Lumen All Purpose LED Retrofit Trim H7TNB = 6" Hi-Lumen All Purpose LED Retrofit Trim H7TCP = 6" Hi-Lumen All Purpose LED Retrofit Trim H7UICAT = 6" Hi-Lumen All Purpose LED Retrofit Trim H7UICATNB = 6" Hi-Lumen All Purpose LED Retrofit Trim H27ICAT = 6" Hi-Lumen All Purpose LED Retrofit Trim H27RICAT = 6" Hi-Lumen All Purpose LED Retrofit Trim HH27RICT = 6" Hi-Lumen All Purpose LED Retrofit Trim H27T = 6" Hi-Lumen All Purpose LED Retrofit Trim H27RT = 6" Hi-Lumen All Purpose LED Retrofit Trim E27ICAT = 6" Hi-Lumen All Purpose LED Retrofit Trim E27RICAT = 6" Hi-Lumen All Purpose LED Retrofit Trim E27RTAT = 6" Hi-Lumen All Purpose LED Retrofit Trim E27TAT = 6" Hi-Lumen All Purpose LED Retrofit Trim E7ICAT = 6" Hi-Lumen All Purpose LED Retrofit Trim E7ICATNB = 6" Hi-Lumen All Purpose LED Retrofit Trim E7RICAT = 6" Hi-Lumen All Purpose LED Retrofit Trim E7RTAT = 6" Hi-Lumen All Purpose LED Retrofit Trim E7TAT = 6" Hi-Lumen All Purpose LED Retrofit Trim E7TATNB = 6" Hi-Lumen All Purpose LED Retrofit Trim
---	---

Order Information Continued

Housing Compatibility

Compatible All-Pro Incandescent E26 Screwbase Housings

Compatible All-Pro Incandescent E26 Screwbase Housings

EI500AT = 5" All-Pro Hi-Lumen All Purpose LED Retrofit Trim
EI500RAT = 5" All-Pro Hi-Lumen All Purpose LED Retrofit Trim
ET500 = 5" All-Pro Hi-Lumen All Purpose LED Retrofit Trim
ET500R = 5" All-Pro Hi-Lumen All Purpose LED Retrofit Trim

EI700AT = 6" All-Pro Hi-Lumen All Purpose LED Retrofit Trim
EI700RAT = 6" All-Pro Hi-Lumen All Purpose LED Retrofit Trim
EI700 = 6" All-Pro Hi-Lumen All Purpose LED Retrofit Trim
EI700R = 6" All-Pro Hi-Lumen All Purpose LED Retrofit Trim
EI700ATNB = 6" All-Pro Hi-Lumen All Purpose LED Retrofit Trim
EI700NB = 6" All-Pro Hi-Lumen All Purpose LED Retrofit Trim
EI700U = 6" All-Pro Hi-Lumen All Purpose LED Retrofit Trim
EI700UAT = 6" All-Pro Hi-Lumen All Purpose LED Retrofit Trim
ET700 = 6" All-Pro Hi-Lumen All Purpose LED Retrofit Trim
ET700R = 6" All-Pro Hi-Lumen All Purpose LED Retrofit Trim
EI2700AT = 6" All-Pro Hi-Lumen All Purpose LED Retrofit Trim
EI2700R = 6" All-Pro Hi-Lumen All Purpose LED Retrofit Trim
EI2700R = 6" All-Pro Hi-Lumen All Purpose LED Retrofit Trim
ET2700 = 6" All-Pro Hi-Lumen All Purpose LED Retrofit Trim
ET2700R = 6" All-Pro Hi-Lumen All Purpose LED Retrofit Trim

LT56 Series LED Retrofit is UL Classified for retrofit in the following 5/6" recessed housings:

The LT Series LED light module - trim combination is cULus Listed or UL Classified for use with any 5"/6" diameter recessed housing constructed of steel or aluminum with an internal volume that exceeds 107.9 in³ in addition to those noted above.

Specification Features

Module

- Field interchangeable and upgradable LED module consists of LED array, optical assembly, driver and baffle style self-flanged trim
- Integral aluminum heat sink provides passive thermal cooling achieving L70 at 35,000 hours in IC and non-IC applications

Gaskets

- Closed cell gasket achieves restrictive airflow requirements without additional caulking

LED Array

- A plurality of low power LEDs provide a uniform source with high efficiency and long life
- Available in 90 CRI minimum, R9 greater than 50 and color accuracy within 4 SDCM provide color accuracy and uniformity
- Available in 2700, 3000, 3500, 4000 and 5000K CCT color temperatures

Optical Assembly

- Optical assembly provides wide distribution useful for general and task lighting
- Diffuse injection molded lens with contoured profile provides uniformity and a familiar lamp like appearance
- Meets ENERGY STAR® color angular uniformity requirements

Driver

- Integral 120V 60 Hz constant current driver provides high efficiency operation
- Continuous, flicker-free dimming from 100% to 10% with select leading or trailing edge 120V phase cut dimmers – consult dimming guide for more information
- Consult dimmer manufacturer for compatibility and conditions of use
- Inline electrical quick connect and E26 adapter (provided) provides mains connection

Retention

- Preinstalled torsion springs hold module securely to the housing
- Ships with torsion springs set in the 6" position, adjusts to 5" position with Philips drive locking screws

Trim

- One-piece step baffle and self-flanged trim ring provides lens regression and reduces light leaks
- Injection molded plastic construction is impact resistant and non-corrosive
- Non-conductive construction meets most local code 'dead front' requirements

Compliance

- cULus listed for use with Halo housings, classified for use with other's housings, see instruction sheet for conditions of acceptability
- Wet location listed and IP66 ingress protection rated
- Airtight per ASTM-E283
- Suitable for use in clothes closets when installed in accordance with the NEC 410.16 spacing requirements
- EMI/RFI emissions per FCC 47CFR Part 15 consumer limits
- Contains no mercury or lead and RoHS compliant
- Photometric testing in accordance with IES LM-79-08
- Lumen maintenance projections in accordance with IES LM-80-08 and TM-21-11
- Can be used for State of California Title 24 high efficacy luminaire compliance, reference the California Energy Commission Title 20 Appliance Efficiency Database for current listings
- ENERGY STAR® listed, reference database for current listings
- Meets State of California voluntary lamp standards
- Lighting Facts labeled

Warranty

- Five year limited warranty, consult website for details. www.cooperlighting.com

Product Specifications

LT560WH6927R – 90 CRI

PRODUCT SPECIFICATIONS	
Lumens	720
Watts	9.5
Lumens Per Watt (Efficacy)	75.79
Color Accuracy (CRI)	91
Light Color (CCT)	2700K
Correlated Color Temperature (CCT)	
warm white	soft white
2700K	3000K
4500K	6500K

LT560WH6930R – 90 CRI

PRODUCT SPECIFICATIONS	
Lumens	750
Watts	9.5
Lumens Per Watt (Efficacy)	78.95
Color Accuracy (CRI)	90
Light Color (CCT)	3000K
Correlated Color Temperature (CCT)	
warm white	soft white
2700K	3000K
4500K	6500K

LT560WH6935R – 90 CRI

PRODUCT SPECIFICATIONS	
Lumens	760
Watts	9.6
Lumens Per Watt (Efficacy)	79.17
Color Accuracy (CRI)	91
Light Color (CCT)	3500K
Correlated Color Temperature (CCT)	
warm white	soft white
2700K	3000K
4500K	6500K

LT560WH6940R – 90 CRI

PRODUCT SPECIFICATIONS	
Lumens	760
Watts	10.3
Lumens Per Watt (Efficacy)	73.79
Color Accuracy (CRI)	94
Light Color (CCT)	4000K
Correlated Color Temperature (CCT)	
warm white	soft white
2700K	3000K
4500K	6500K

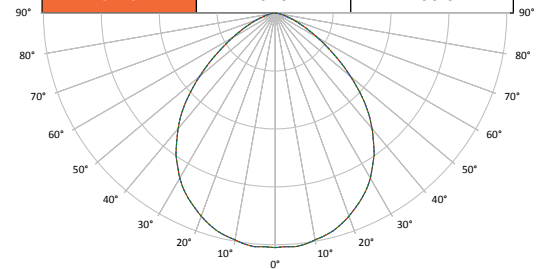
LT560WH6950R – 90 CRI

PRODUCT SPECIFICATIONS	
Lumens	780
Watts	9.5
Lumens Per Watt (Efficacy)	84.21
Color Accuracy (CRI)	95
Light Color (CCT)	5000K
Correlated Color Temperature (CCT)	
warm white	soft white
2700K	3000K
4500K	6500K

Photometric Data

LT56 Photometric*

LT560WH6930R		
Luminaire lumens	698	
Input watts	10	
LER (LPW)	69.8	
Spacing Criteria	0-180	1.21
	90-270	1.21
	Diagonal	1.27
Beam angle (degrees)	93.3	
Field angle (degrees)	137.9	
Zonal lumen	Lumens	% Lumens
0-30	253	36.3
0-40	405	58.0
0-60	632	90.6
0-90	698	100.0



* Tested in accordance with IES LM63. Field results may vary.

LT560WH6927R-CA – 91 CRI

PRODUCT SPECIFICATIONS	
Lumens	731
Watts	7.9
Lumens Per Watt (Efficacy)	92.6
Color Accuracy (CRI)	91
Light Color (CCT)	2700K
Correlated Color Temperature (CCT)	
warm white	soft white
2700K	3000K
4500K	6500K

LT560WH6930R-CA – 91 CRI

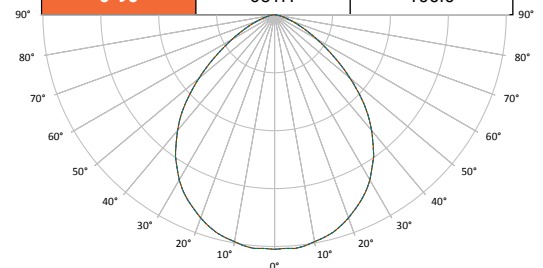
PRODUCT SPECIFICATIONS	
Lumens	746
Watts	7.8
Lumens Per Watt (Efficacy)	95.7
Color Accuracy (CRI)	91
Light Color (CCT)	3000K
Correlated Color Temperature (CCT)	
warm white	soft white
2700K	3000K
4500K	6500K

LT560WH6950R-CA – 92 CRI

PRODUCT SPECIFICATIONS	
Lumens	846
Watts	7.9
Lumens Per Watt (Efficacy)	107.1
Color Accuracy (CRI)	92
Light Color (CCT)	5000K
Correlated Color Temperature (CCT)	
warm white	soft white
2700K	3000K
4500K	6500K

LT56-CA Photometric*

LT560WH6930R-CA		
Luminaire lumens	746.6	
Input watts	7.8	
LER (LPW)	95.7	
Spacing Criteria	0-180	1.21
	90-270	1.21
	Diagonal	1.27
Beam angle (degrees)	93.3	
Field angle (degrees)	137.9	
Zonal lumen	Lumens	% Lumens
0-30	241.6	37.1
0-40	381.5	58.6
0-60	585.3	89.9
0-90	651.1	100.0



* Tested in accordance with IES LM63. Field results may vary.

Energy Data

Lumens	600 Series
Input Voltage	120V
Input Current	0.089 (mA)
Input Power	10.4 (W)
Efficiency	Up to 73 (LPW)
Inrush (A)	
THD: ≤ 24%	
PF: ≥ 0.90	
T Ambient -30 - +40°C	
Sound Rating ≤ 23dba	