

DESCRIPTION

The H995ICAT is a dedicated LED small aperture IC AIR-TITE™ housing for use with compatible Halo 4-Inch LED modules. It is designed for use in insulated ceilings where it will be in direct contact with insulation*. It is an AIR-TITE™ housing designed to prevent air flow between occupied spaces and unconditioned areas.

Catalog #		Type
Project		
Comments		Date
Prepared by		

DESIGN FEATURES

Housings

- Double wall aluminum construction helps dissipate heat. The inner housing can be adjusted in the plaster frame to compensate for different ceiling materials.
- Designed for insulated ceilings in direct contact with insulation*. (May also be installed in non-insulated ceilings.)

Plaster Frame

- Galvanized steel die-formed construction.
- The inner housing can be removed from plaster frame to provide access to the junction box.
- Plaster frame features include:
 - Patented regressed locking screw positioned for securing hanger bars from below the ceiling.
 - Cutouts for easily crimping hanger bars in position.
 - AIR-TITE aperture gasket is pre-installed.
 - HALO identity embossed on plaster frame

Slide-N-Side™ Junction Box

- Positioned to accommodate straight conduit runs
- Seven 1/2" trade size conduit knockouts with true pry-out slots
- Slide-N-Side wire traps allow non-metallic sheathed cable to be installed without tools and without removing knockouts.
- Accepts a wide range of non-metallic (type NM) sheathed cables - the standard cable types used in lighting in both U.S. and Canada.
- Allows wiring connections to be made outside the junction box
- Simply insert the cable directly into the trap after connections are made.

- Accommodates the following standard non-metallic sheathed cable sizes: (US) #14/2, #14/3, #12/2, #12/3 (Canada) #14/2, #14/3, #12/2

"Quick Connect" Connectors

Three quick connect wiring connectors included.

GOT NAIL! Pass -N-Thru™ Bar Hangers

- Pre-installed nail easily installs in regular lumber, engineered lumber and laminated beams.
- Safety and guidance system prevents snagging, ensures smooth straight nail penetration and allows bar hangers to be easily removed if necessary.
- Automatic levelling flange aligns the housing and lets you hold the housing in place with one hand while driving nails.
- Housing can be positioned at any point within 24" joist span.
- Pass-N-Thru™ feature allows bar hangers to be shortened without removing from plaster frame.
- Score lines allow "tool-less" shortening for 12" joists.
- Integral T-bar clip snaps onto T-bars - no additional clips required

LED Module Connection

Halo LED modules simply install with a plug-in 120V line voltage wiring connector (UL and CSA Listed Luminaire Disconnect). This non-screw-base LED connection preserves the high efficacy rating of the luminaire (see also LED Module specifications). Two-conductor wire mount connector is rated for 120 - 277V and mates with Halo® LT4, RL4, RA4 and ML4 family of LED integrated trims.

Warranty

Eaton provides a five year limited warranty on Halo LED Luminaires which includes the LED Recessed Housing, and LED module.

Labels

- UL/cUL Listed 1598 Luminaire
- UL/cUL Listed for Damp Location
- UL/cUL Listed for Wet Location, with select trims
- UL/cUL listed for Feed Through
- UL/cUL listed for Direct Contact with insulation and combustible material*

Compliance

- Use with designated LED light engines and trims for ENERGY STAR® certification.
- Can be used for State of California Title 24 high efficacy compliance with designated LED modules.
- Can be used for International Energy Conservation Code (IECC) high efficacy compliance with designated LED modules.

Qualification

IC and AIR-TITE™ Certified under ASTM-E283 and listed UL/cUL 1598. May be used to meet insulated ceiling* and restricted air-flow requirements such as:

- Washington State Energy Code
- International Energy Conservation Code (IECC)
- New York State Energy Conservation Construction Code (NY-ECCC)
- State of California Title 24 "Recessed Luminaires in Insulated Ceilings."

* Not to be used in direct contact with spray foam insulation.



H995ICAT

4-Inch New Construction Insulated Ceiling AIR-TITE™ Recessed Housing

For Halo 4-Inch LED Modules

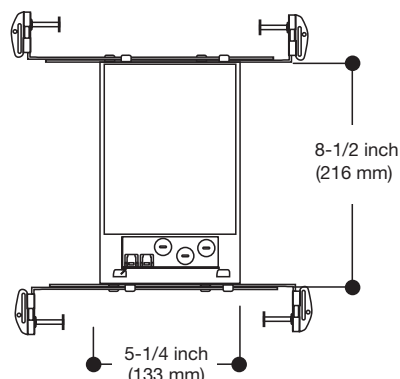
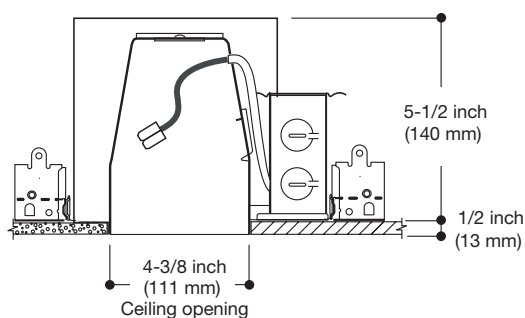
High Efficacy LED Housing

FOR USE IN INSULATED CEILINGS

FOR DIRECT CONTACT WITH INSULATION*

ALSO SUITABLE FOR NON-IC CEILINGS

DIMENSIONS



Refer to ENERGY STAR® Certified Products List and CEC (T20) Database for listings.

Ordering Information

Sample Number: H9951CAT

Order housing, LED module, and trim separately.

Housing

H9951CAT = 4" IC, Air-Tite, New Construction, LED Housing

Ordering Information

The H9951CAT housing may also be used with Halo LED Modules and Surface LED Series.

LED Modules:

Compatible LED Series

RA4

RL4

LT4

SLD4

ML4

For details and ordering information refer to LED product specifications at www.eaton.com/lighting.