

INSTALLATION GUIDE
GUIDE D'INSTALLATION
GUÍA DE INSTALACIÓN

Follow the instructions for your mount type. Each mount uses different parts and hardware.

Universal Mount

Mounting

Sloped or flat ceilings from 11 to 18 feet
(3.4 to 5.5 meters)

Input Voltage

100–240 VAC, 50–60 Hz



Page 6

Low Profile Mount

Mounting

Flat ceilings as low as 8 feet
(2.4 meters)

Input Voltage

100–240 VAC, 50–60 Hz



Page 15

Standard Mount

Mounting

Flat ceilings from 8.5 to 11 feet
(2.5 to 3.4 meters)

Input Voltage

100–240 VAC, 50–60 Hz



Page 22

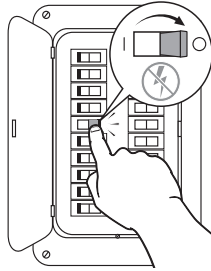
READ AND SAVE THESE INSTRUCTIONS

BEFORE YOU START

☑ Turn Off Power

Contact a licensed electrician if you are uncomfortable performing electrical work. A licensed electrician must install the fan if required by local code.

- ⚠ Do not use the fan with a dimmer switch.
- ⚠ Turn off power at breaker!



☑ Prepare Fan Site

Outlet Box: Make sure your outlet box is suitable for fan support. If there is not an outlet box at the fan location, install one on a ceiling joist or beam.

Concrete Ceiling: Install an anchor hook for the safety cable if required by your local building and safety code. See the following page for installation details.

Wood Ceiling Joist: Attach the mounting plate or mounting bracket directly to the joist using two wood screws (not supplied). Big Ass Fans recommends using corrosion-resistant 12-11 x 45 mm hex head timber screws with seal.

☑ Gather Tools



☑ Select Extension Tube (Universal Mount Only)

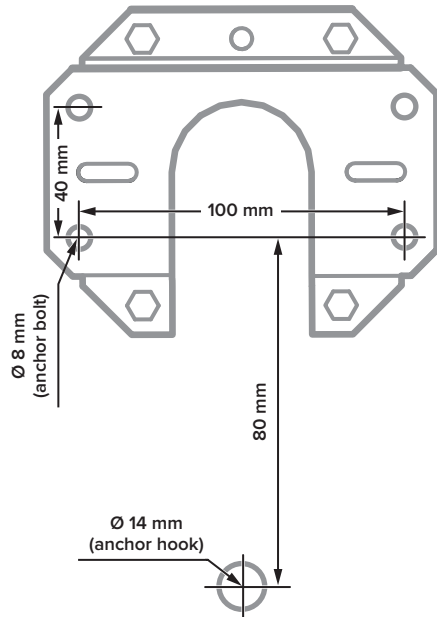
If your fan uses the universal mount, you will need to select the appropriate extension tube for your ceiling height and slope.

See page 4 for a guide to select the most appropriate extension tube.

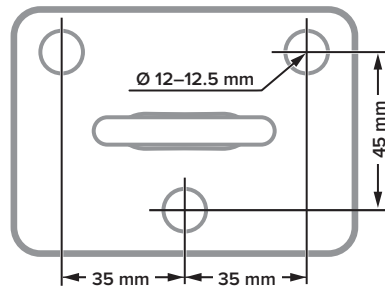
Concrete Ceiling

Install an anchor hook for the safety cable if required by your local building and safety code.

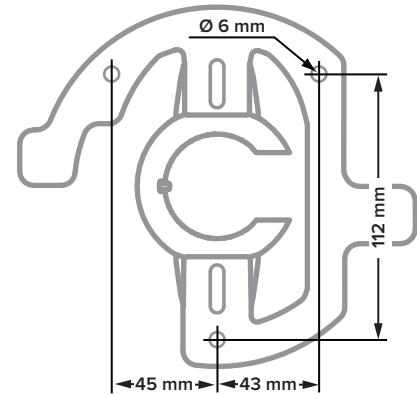
Low Profile Mount



Standard Mount



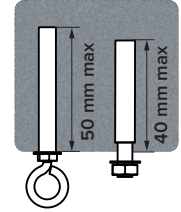
Universal Mount



Low Profile Mount

Drill four \varnothing 8 mm holes in the pattern shown. The hole depth should not exceed 40 mm. Remove any dust from the holes. Insert four anchor bolts into the holes. Strike the heads of the anchor bolts with a hammer, ensuring the bolt sleeves are flush with the ceiling surface. Position the mounting plate on the anchor bolts. Ensure all four anchor bolts are fully tightened to expand and lock the anchors.

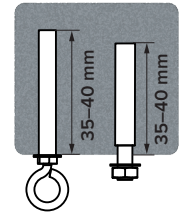
If required by local building and safety codes, install an anchor hook for the safety cable. Drill a \varnothing 14 mm hole for the anchor hook in the pattern shown. The hole depth should not exceed 50 mm. Remove any dust from the hole, and then insert the anchor hook and fully tighten.



Standard Mount

Drill three \varnothing 12–12.5 mm holes in the pattern shown. The hole depth should not exceed 35–40 mm. Remove any dust from the holes. Insert three anchor bolts into the holes. Strike the heads of the anchor bolts with a hammer, ensuring the bolt sleeves are flush with the ceiling surface. Position the hanger plate on the anchor bolts. Ensure all three anchor bolts are fully tightened to expand and lock the anchors.

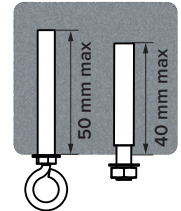
If required by local building and safety codes, install an anchor hook for the safety cable. Drill a \varnothing 8–8.5 mm hole for the anchor hook adjacent to the hanger plate. The hole depth should not exceed 35–40 mm. Remove any dust from the hole, and then insert the anchor hook and fully tighten.



Universal Mount

Drill three \varnothing 6 mm holes in the pattern shown. The hole depth should not exceed 40 mm. Remove any dust from the holes. Insert three anchor bolts into the holes. Strike the heads of the anchor bolts with a hammer, ensuring the bolt sleeves are flush with the ceiling surface. Position the mounting bracket on the anchor bolts. Ensure all three anchor bolts are fully tightened to expand and lock the anchors.

If required by local building and safety codes, install an anchor hook for the safety cable. Drill a \varnothing 8 mm hole for the anchor hook. The hole depth should not exceed 50 mm. Remove any dust from the hole, and then insert the anchor hook and fully tighten.



Choosing an Extension Tube (Universal Mount Only)

Consult the tables below to select the appropriate extension tube for your fan.

Ceiling Height

For optimum performance, Big Ass Fans recommends the following extension tube lengths based on ceiling height.

Ceiling Height	Extension Tube Length
9.5–11 ft (2.9–3.4 m)	20 in. (508 mm)
11–13 ft (3.4–4 m)	32 in. (813 mm)
13–14 ft * (4–4.3 m) *	48 in. * (1219 mm) *
>14 ft * (>4.3 m) *	60 in. * (1524 mm) *

* Big Ass Fans recommends using an extended length extension tube for ceiling heights over 13 ft (4 m). The fan comes standard with 20 in. (508 mm) and 32 in. (813 mm) extension tubes. Other lengths are available by contacting Customer Service.

Ceiling Slope

Haiku fans with a universal mount can be installed on sloped ceilings with an angle no greater than 33°.

Fan Diameter	Maximum Ceiling Slope	Extension Tube Length
52 in. (1.3 m)	26°	20 in. (508 mm)
52 in. (1.3 m)	33°	32 in. (813 mm)
60 in. (1.5 m)	22°	20 in. (508 mm)
60 in. (1.5 m)	33°	32 in. (813 mm)
84 in. (2.1 m)	16°	20 in. (508 mm)
84 in. (2.1 m)	29°	32 in. (813 mm)

Haiku Remote

 Do not expose the remote control to rain or water.



Turns fan on or off.



Sets fan timer length of up to eight hours. Each press extends timer by one hour.



Turns light on or off.



Clears active fan timer.



Increases fan speed/light brightness.



Varies fan speed to simulate a natural breeze.

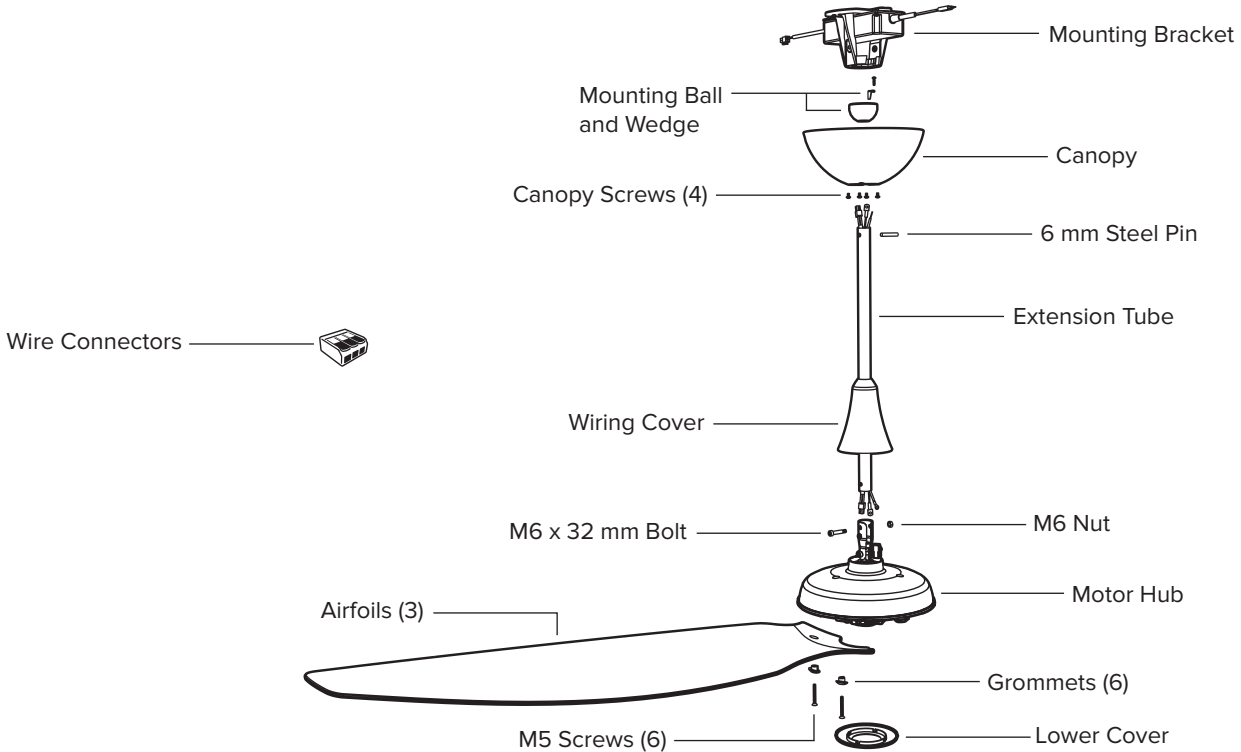


Decreases fan speed/light brightness.



Automatically adjusts your fan speed overnight to keep you comfortable while you sleep.

UNIVERSAL MOUNT



Safety cable not shown
If the EMI filter is included, install it with your fan.

1 Install Airfoils

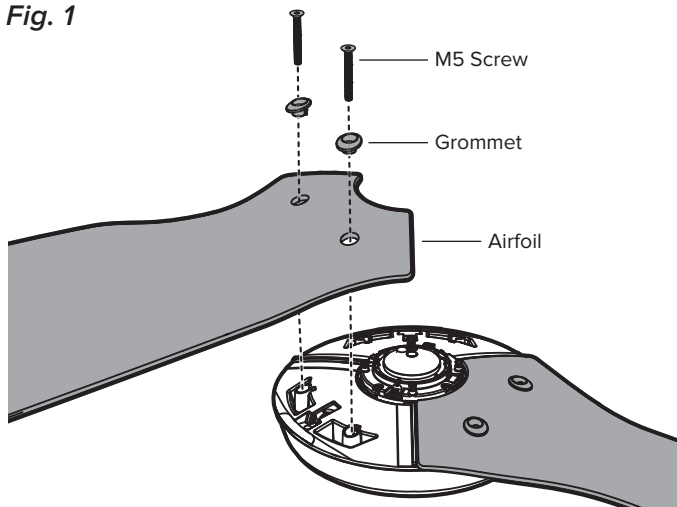


If you purchased the fan light kit, proceed to the instructions included with the kit, and then return to these instructions.

Remove and recycle the plastic protective cover.

Moving clockwise, align each airfoil on the fan hub and secure it with the airfoil hardware (Fig. 1). **Make sure the sticker color on each airfoil matches the corresponding sticker color on the fan hub!**

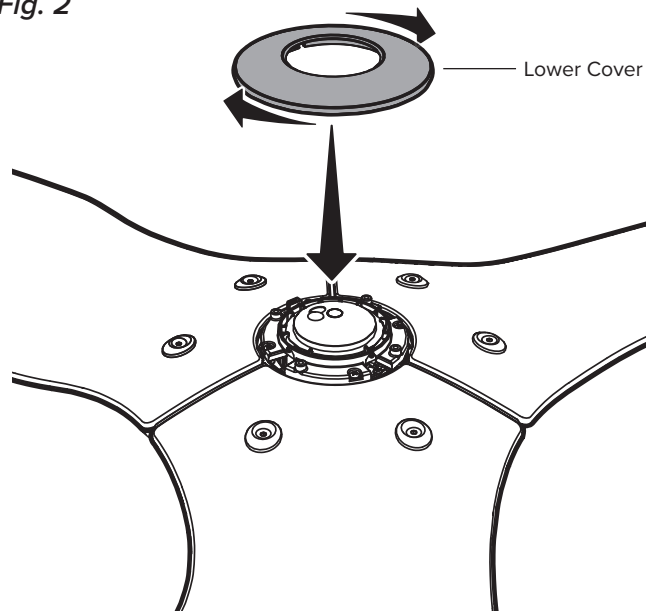
Fig. 1



2 Install Lower Cover

Attach the lower cover as shown (Fig. 2).

Fig. 2



3 Attach Extension Tube and Wiring Harness

Align the holes on the extension tube with the holes on the motor bracket, and then secure the tube with the M6 x 32 mm bolt and M6 nut (Fig. 3.1).

Connect the wiring harness from the extension tube to the receptacle from the motor hub (Fig. 3.2).

Fig. 3.1

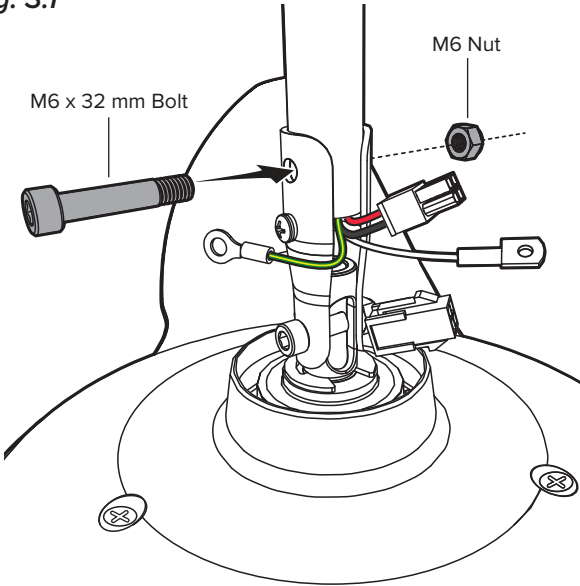
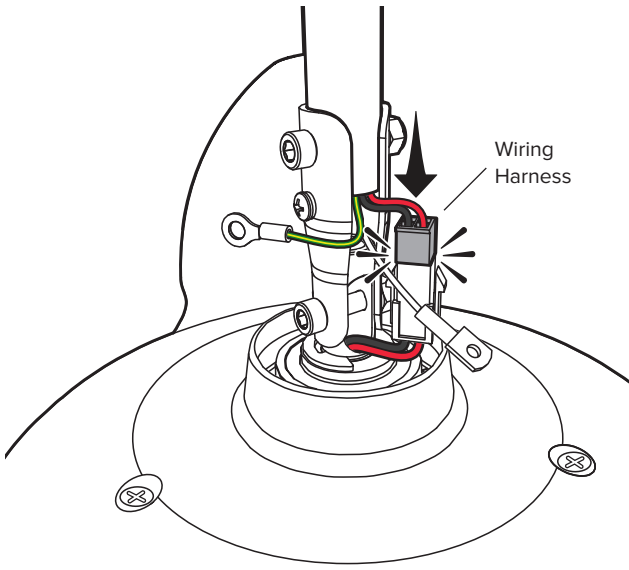


Fig. 3.2



4 Install Lower Safety Cable and Ground Wire

Install the safety cable and ground wire lugs with the unpainted screws and lock washers (Fig. 4.1).

Make sure all hardware is secure, and then gently tug the cables at the top of the extension tube to reduce slack (Fig. 4.2).

Slide the wiring cover down the extension tube, resting it on the fan hub. Make sure no wires are visible between the cover and fan hub. Slide the canopy down the extension tube (Fig. 4.3).

Fig. 4.1

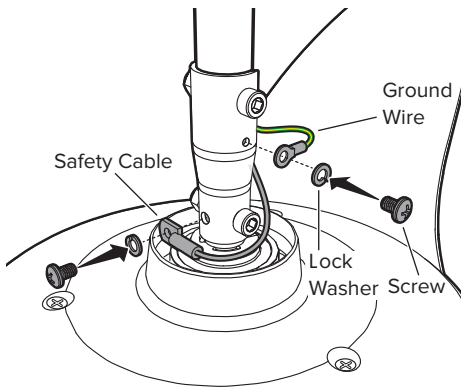


Fig. 4.2

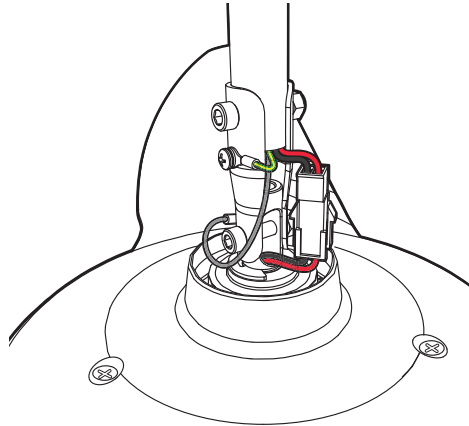
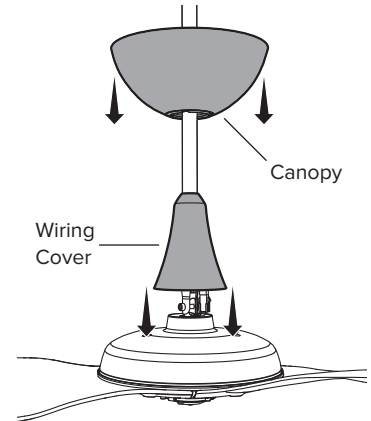


Fig. 4.3



5 Install Mounting Ball

Slide the mounting ball over the extension tube (*Fig. 5.1*).

Insert the 6 mm steel pin into the hole at the top of the extension tube, and then slide the mounting ball upward, seating the steel pin in the inner slots (*Fig. 5.2*).

Insert the wedge into the mounting ball and secure it with the screw. Tighten the screw enough to prevent movement between the mounting ball and extension tube, but do not over-tighten (*Fig. 5.3*).

Fig. 5.1

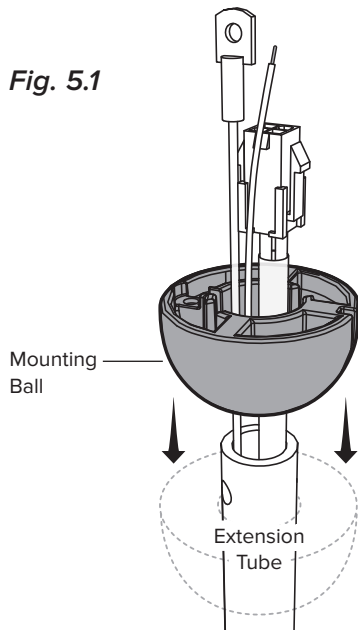


Fig. 5.2

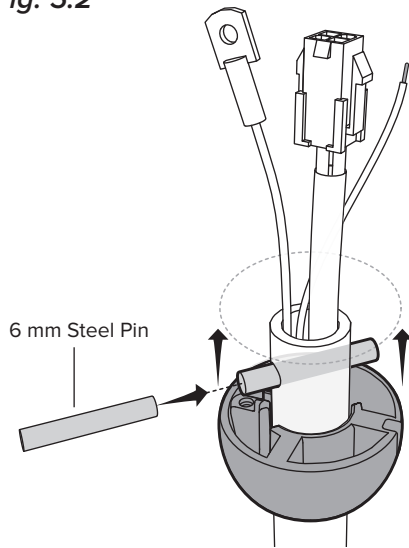
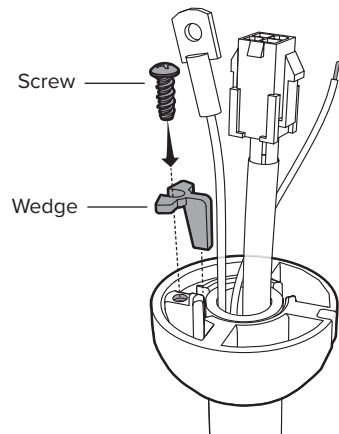


Fig. 5.3



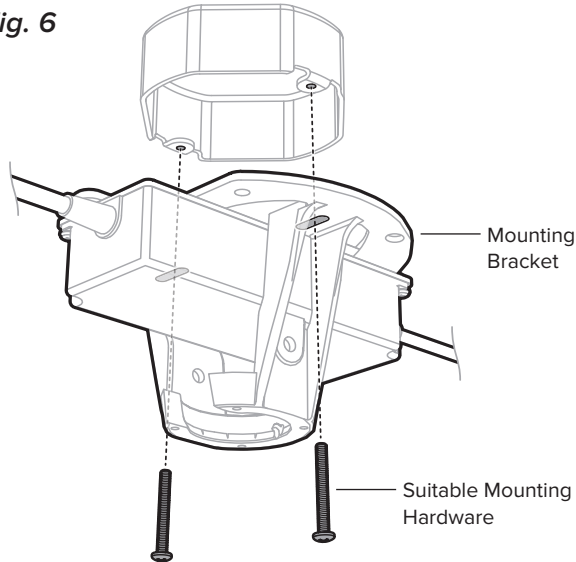
6 Install Mounting Bracket

⚠️ Disconnect power to the fan location before installing the mounting bracket!

Secure the mounting bracket to the mounting structure with suitable hardware (Fig. 6).

Outlet box shown. Your mounting structure may differ from the illustration.

Fig. 6

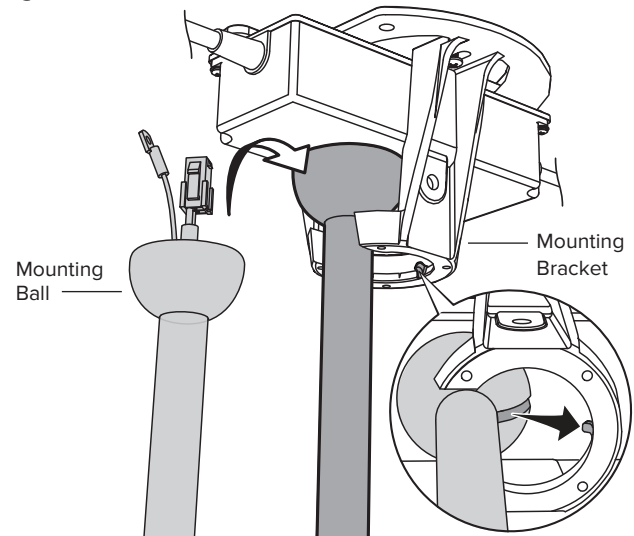


7 Hang Fan

Raise the fan to the mounting bracket. Align the rib in the mounting bracket with the slot in the mounting ball, position the mounting ball, and let the fan hang freely (Fig. 7).

Gently twist the extension tube to ensure it is properly seated and will not move during fan operation.

Fig. 7



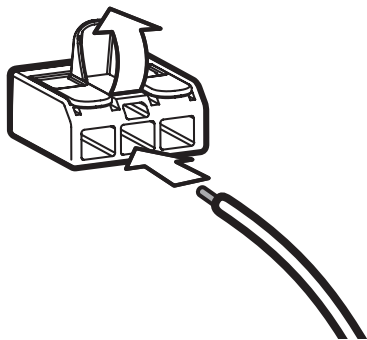
8 Wire the Fan

- ⚠ **Disconnect power to the fan location before wiring the fan!**
- ⚠ **Do not connect the fan to a damaged power source! Do not attempt to resolve electrical failures on your own. Consult a qualified electrician if uncertain of the electrical installation of this fan.**

Wire the fan as shown in the diagram using the wire connectors (*Fig. 8*). If your fan packaging included an EMI filter, install it as shown.

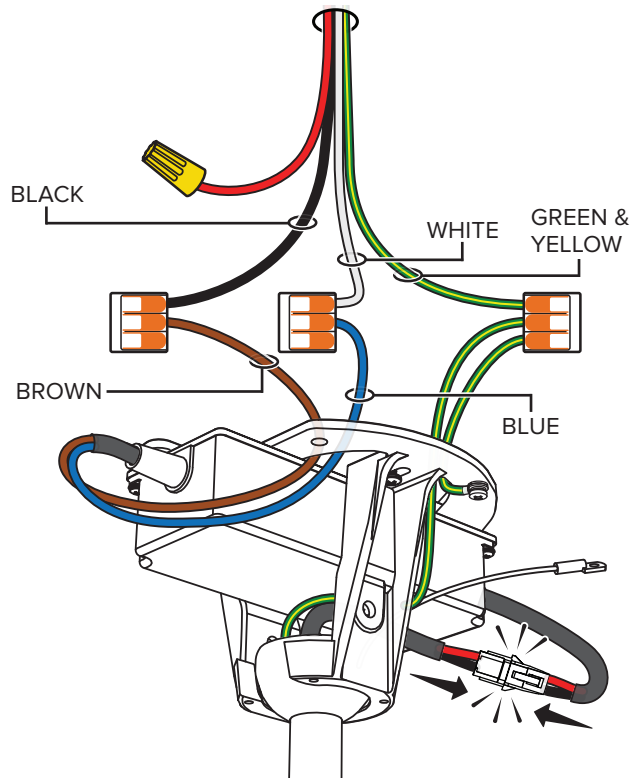
Attach the green ground wire to the mount with the unpainted screw. Connect the wiring harness from the power supply to the wiring harness from the extension tube, making sure that the wiring and safety cable are routed in the same direction.

Fig. 8

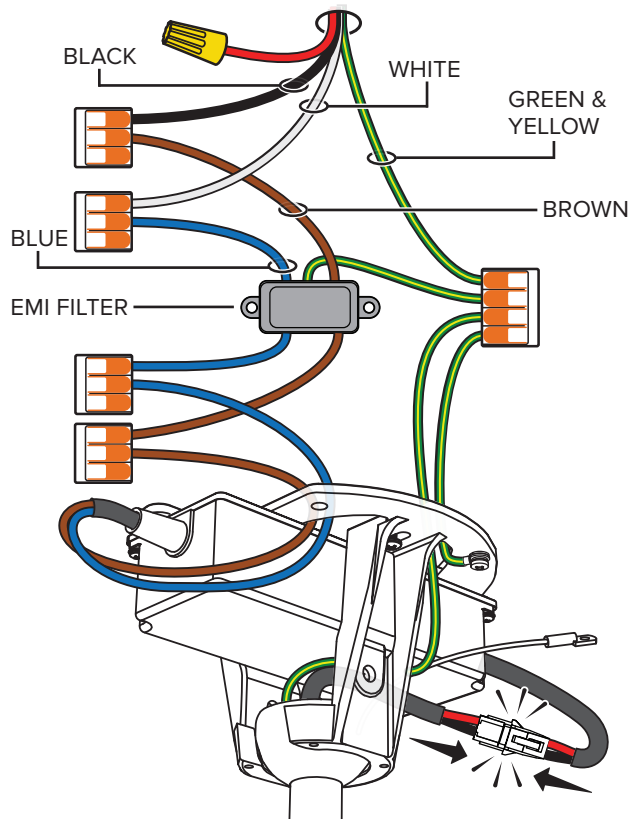


	North America 100–120 V	All other regions
AC Hot/L1 Brown	Black	Brown
AC Neutral/L2 Blue	White	Blue
PE/Earth Ground Green with Yellow	Green or Bare Copper	Green with Yellow

Wiring Diagram (No EMI Filter)



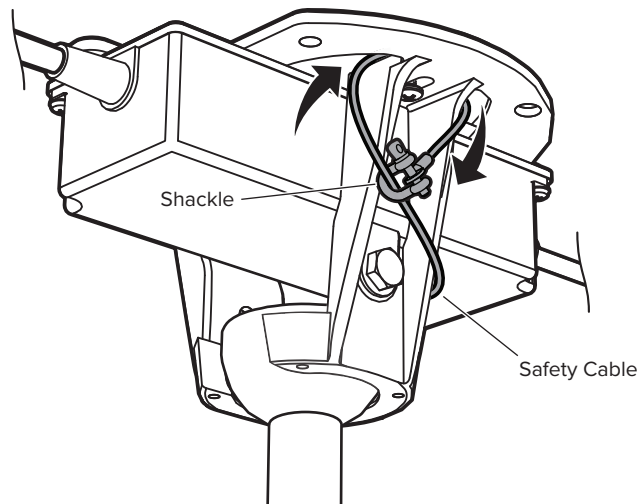
Wiring Diagram (With EMI Filter)



9 Secure Safety Cable

Loop the safety cable around the mounting bracket or building structure, and then secure it with the shackle (Fig. 9).

Fig. 9

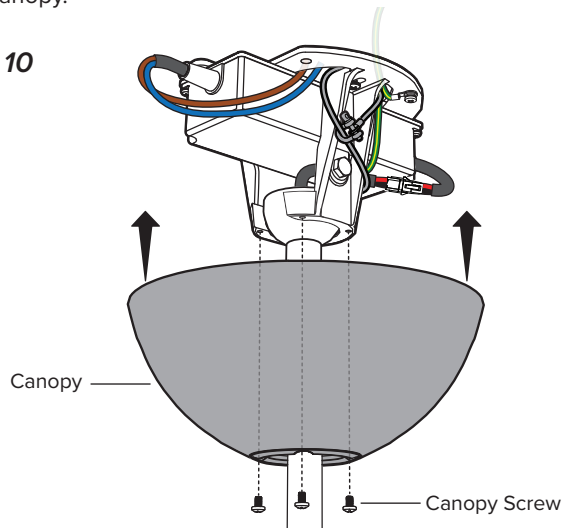


Canada: The safety cable must be secured directly to an existing part of the building structure. It may be necessary to install additional structural material to provide attachment points.

10 Raise Canopy

Raise the canopy to the mounting bracket, aligning the four holes on the canopy with the holes on the bracket. Secure the canopy to the mounting bracket with the painted screws (Fig. 10). Make sure all wires and the safety cable are tucked in the canopy.

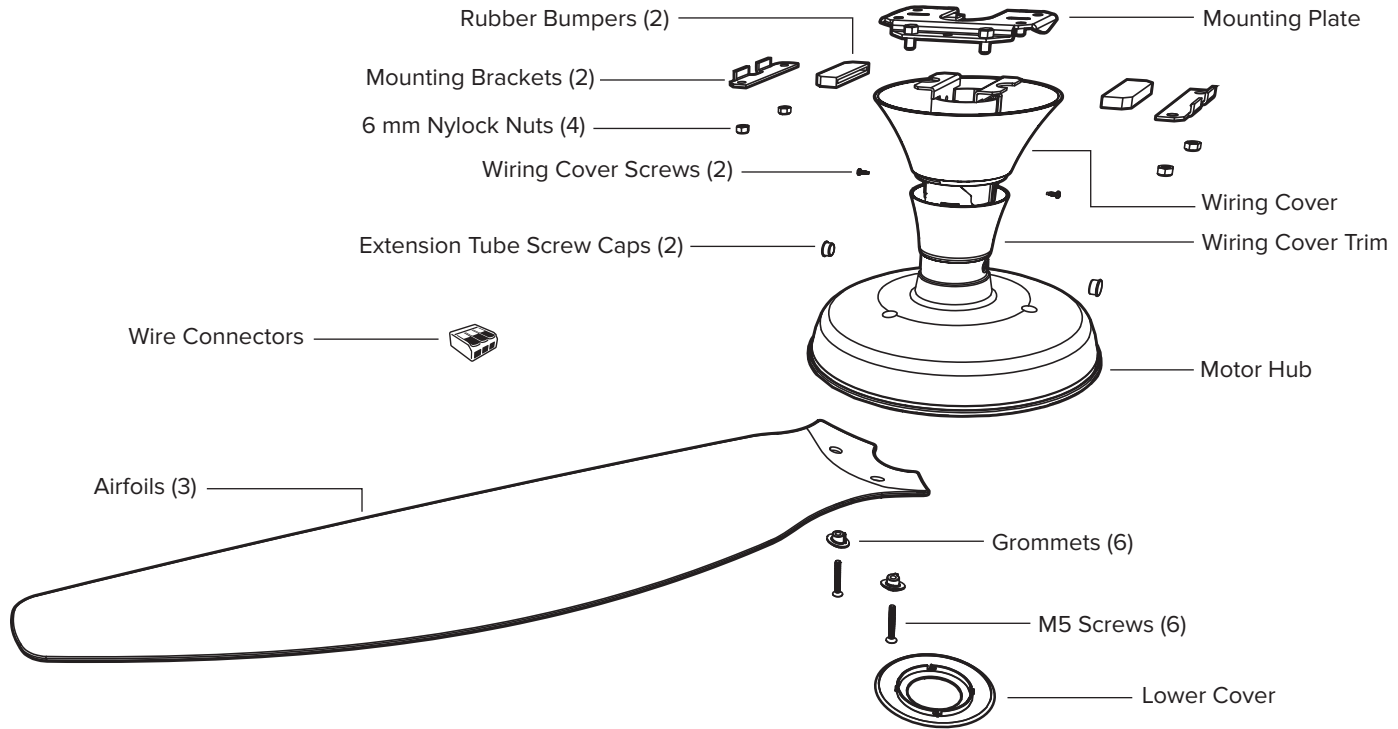
Fig. 10



Congratulations!

Installation is now complete. Test your fan using the remote control.

LOW PROFILE MOUNT



Use the extension tube screw caps that match the color of your fan.
Safety cable not shown.

1 Install Mounting Plate and Single Bracket

Slide the rubber bumpers onto the extension tube brackets (Fig. 1.1).

Secure the mounting bracket to the mounting structure with suitable hardware (Fig. 1.2). *Your mounting structure may differ from the illustration.*

Loosely attach one mounting bracket to the mounting plate with two 6 mm nylock nuts, but do not fully tighten (Fig. 1.3).

Fig. 1.1

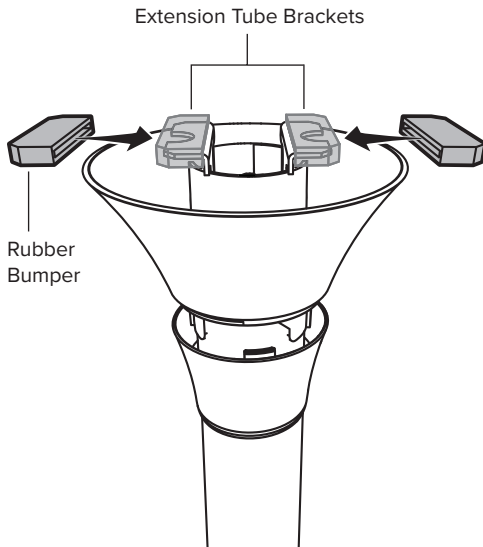
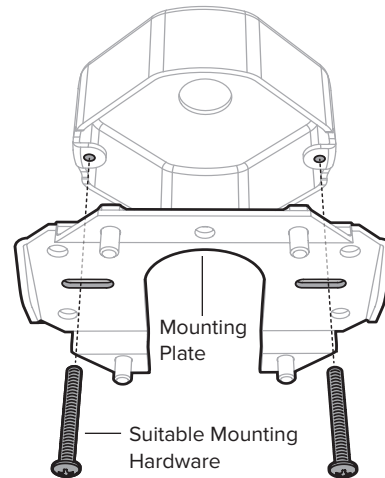
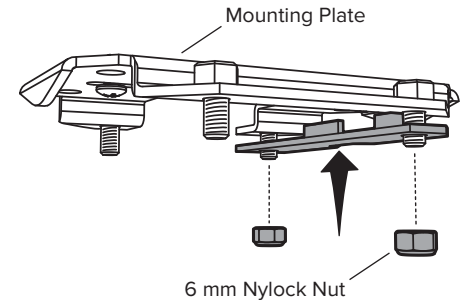


Fig. 1.2



Outlet box shown. Your mounting structure may differ from the illustration.

Fig. 1.3



2 Secure Safety Cable

Raise the fan to the bracket and temporarily rest one rubber bumper in the space between the bracket and plate (Fig. 2.1). While supporting the fan, loop the safety cable around the mounting plate or building structure, and then secure it with the shackle (Fig. 2.2).

Fig. 2.1

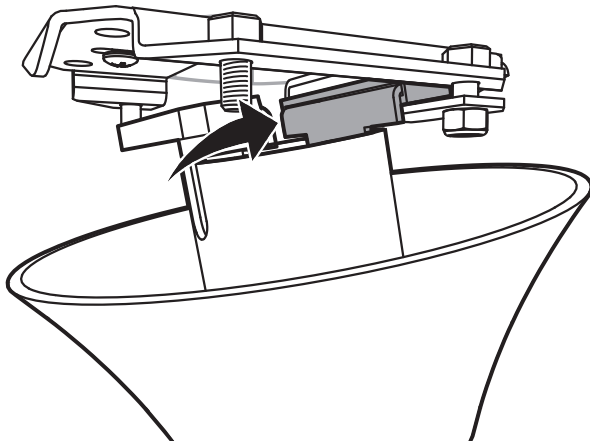
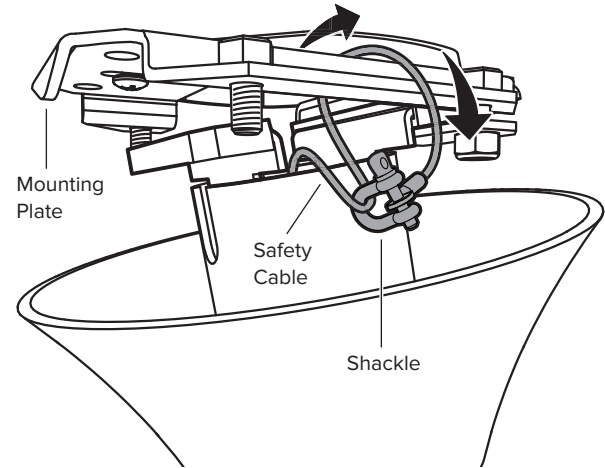


Fig. 2.2



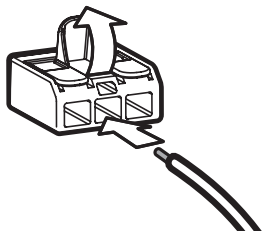
Canada: The safety cable must be secured directly to an existing part of the building structure. It may be necessary to install additional structural material to provide attachment points.

3 Wire Fan

- ⚠️ **Disconnect power to the fan location before wiring the fan!**
- ⚠️ **Do not connect the fan to a damaged power source! Do not attempt to resolve electrical failures on your own. Consult a qualified electrician if uncertain of the electrical installation of this fan.**

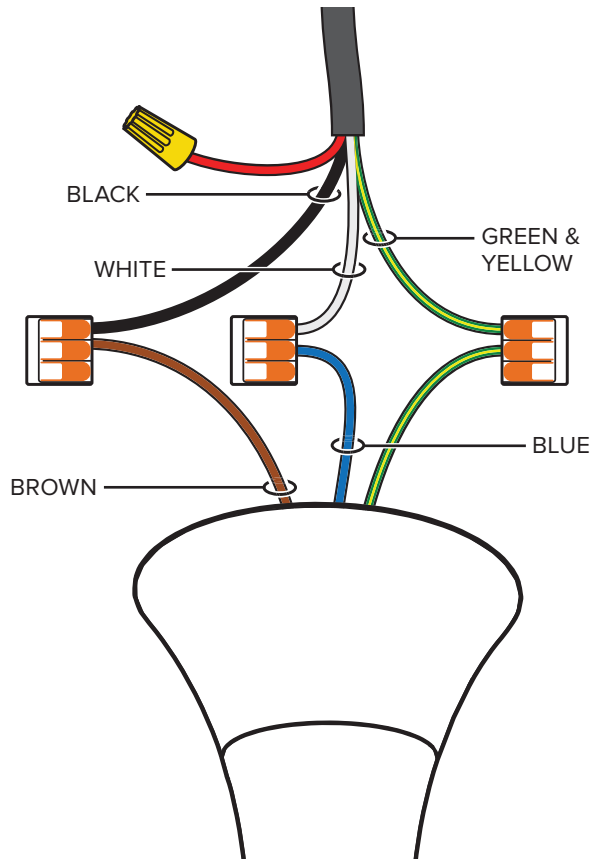
Allow the fan to hang from the safety cable. Wire the fan as shown in the diagram using the wire connectors (Fig. 3).

Fig. 3



	North America 100–120 V	All other regions
AC Hot/L1 Brown	Black	Brown
AC Neutral/L2 Blue	White	Blue
PE/Earth Ground Green with Yellow	Green or Bare Copper	Green with Yellow

Wiring Diagram



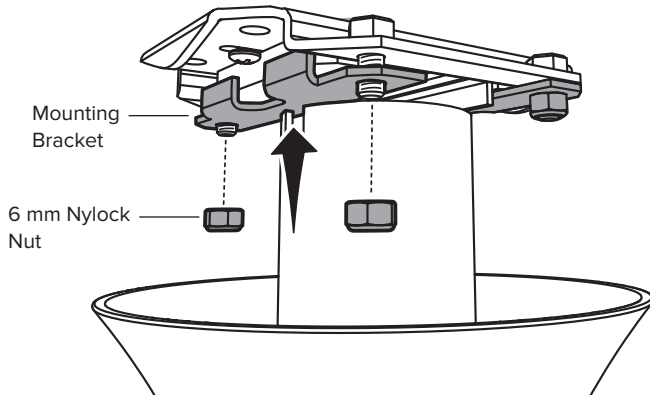
4 Install Mounting Brackets

Raise the fan to the mount. Insert one rubber bumper between the mounting plate and the loosely installed mounting bracket with the 6 mm nylock nuts.

Secure the other bumper with the remaining mounting bracket and nuts (*Fig. 4*).

Tighten all hardware.

Fig. 4

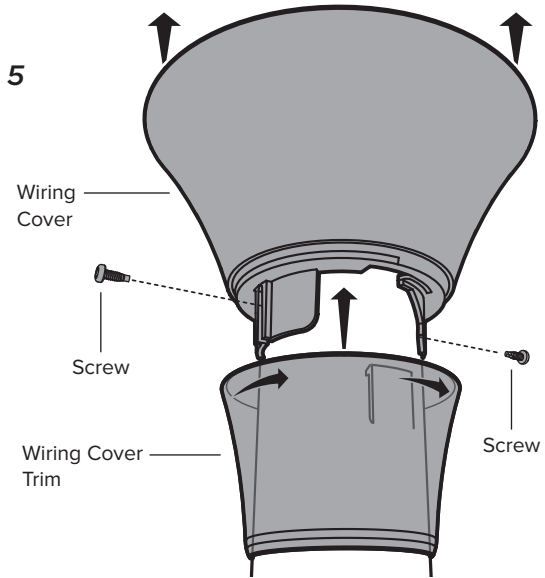


5 Install Wiring Cover

Raise the wiring cover, allowing about a 1/8" (3 mm) gap at the ceiling. Align the mounting slots with the screw holes on the extension tube, and secure it with the wiring cover screws.

Slide the trim up the extension tube, aligning the tabs on the inside with the slots on the bottom of the wiring cover. Twist clockwise to snap the trim into position (*Fig. 5*).

Fig. 5



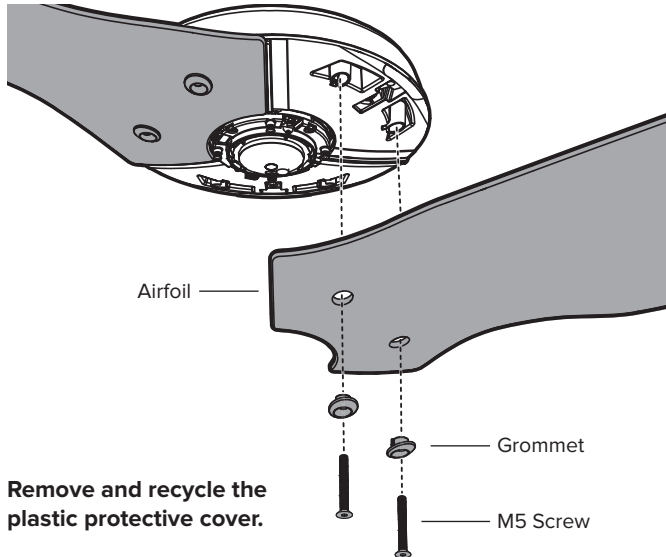
6 Install Airfoils



If you purchased the fan light kit, proceed to the instructions included with the kit, and then return to these instructions.

Moving clockwise, align each airfoil on the fan hub and secure it with the airfoil hardware (Fig. 6). **Make sure the sticker color on each airfoil matches the corresponding sticker color on the fan hub!**

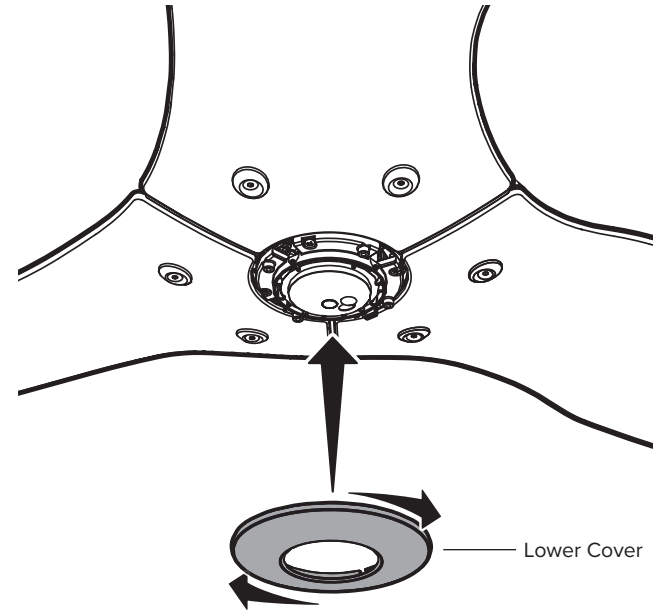
Fig. 6



7 Install Lower Cover

Attach the lower cover as shown (Fig. 7).

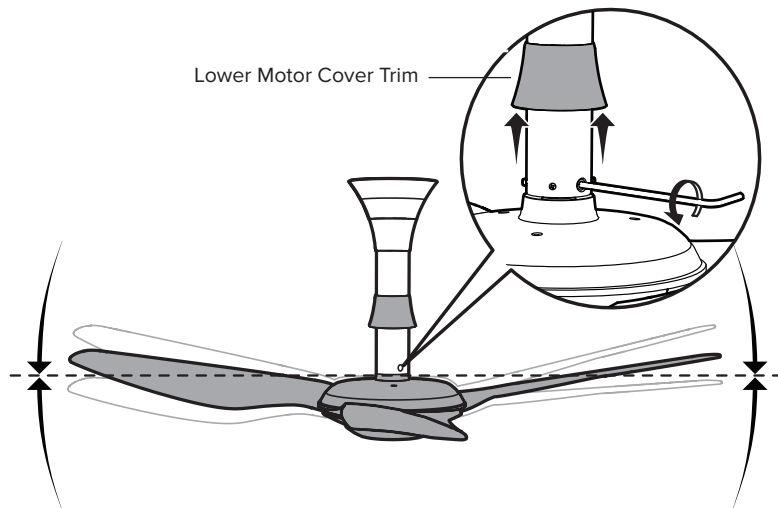
Fig. 7



Congratulations!

Installation is now complete. Test your fan using the remote control.

- ★ *If your fan appears slightly tilted, raise the lower motor cover trim and locate the pivot bolt. Loosen the bolt with a 5 mm hex key to allow the fan to hang straight, and then re-tighten.*

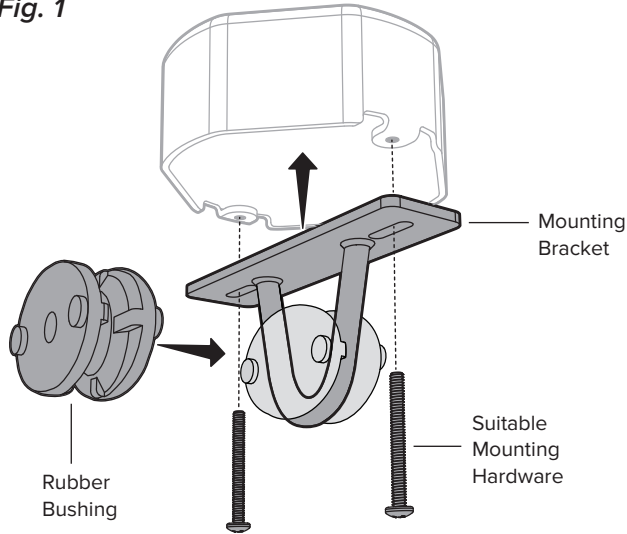


1 Install Mounting Bracket

Seat the rubber bushing in the mounting bracket (*Fig. 1*).

Secure the mounting bracket to the mounting structure with suitable hardware (*Fig. 1*). *Your mounting structure may differ from the illustration.*

Fig. 1

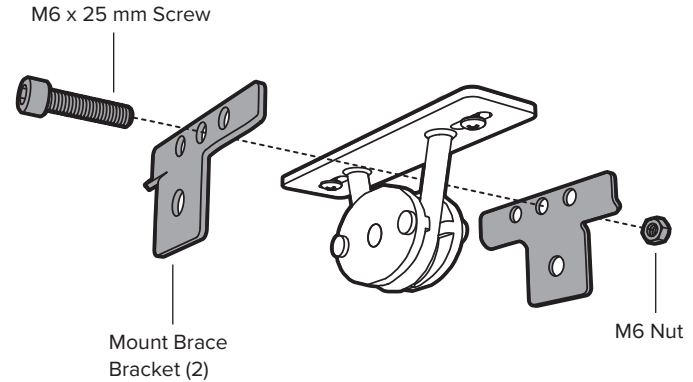


Outlet box shown. Your mounting structure may differ from the illustration.

2 Secure Mount Brace Brackets

Loosely install the mount brace brackets with the provided hardware (*Fig. 2*). The bolt should be inserted in the middle hole. Do not fully tighten the hardware.

Fig. 2



3 Hang Fan

Raise the extension tube to the mount, and insert the extension tube brackets between the mount brackets and the rubber bushing so that the mounting holes are aligned. Secure the extension tube with the mounting hardware (Fig. 3).


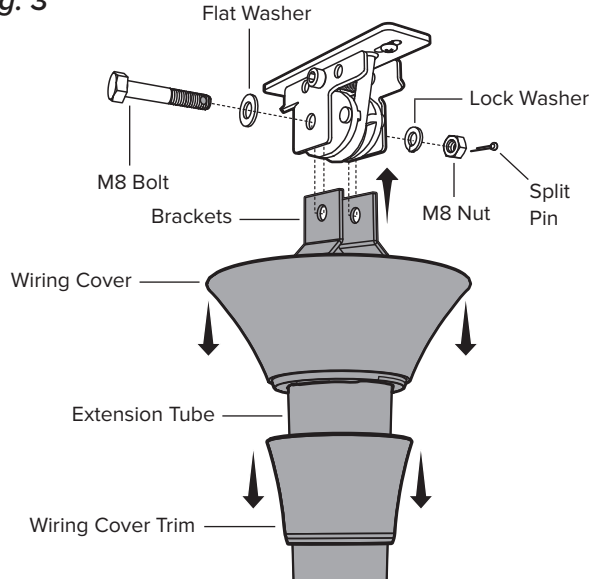
 Fully tighten all hardware until the brackets slightly compress the rubber bushing.

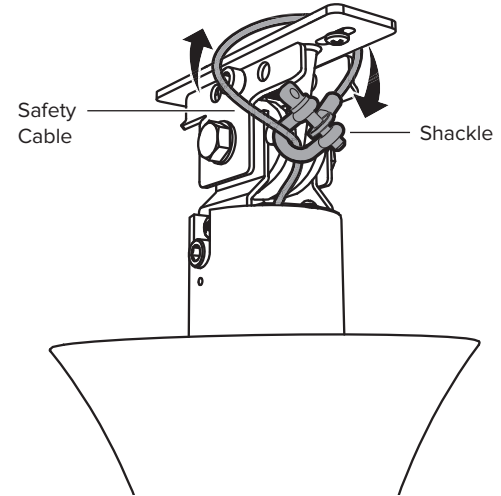
Fig. 3



4 Secure Safety Cable

While supporting the fan, loop the safety cable around the mounting bracket or building structure, and then secure it with the shackle (Fig. 4).

Fig. 4



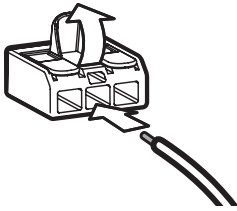
Canada: The safety cable must be secured directly to an existing part of the building structure. It may be necessary to install additional structural material to provide attachment points.

5 Wire Fan

- ⚠ **Disconnect power to the fan location before wiring the fan!**
- ⚠ **Do not connect the fan to a damaged power source! Do not attempt to resolve electrical failures on your own. Consult a qualified electrician if uncertain of the electrical installation of this fan.**

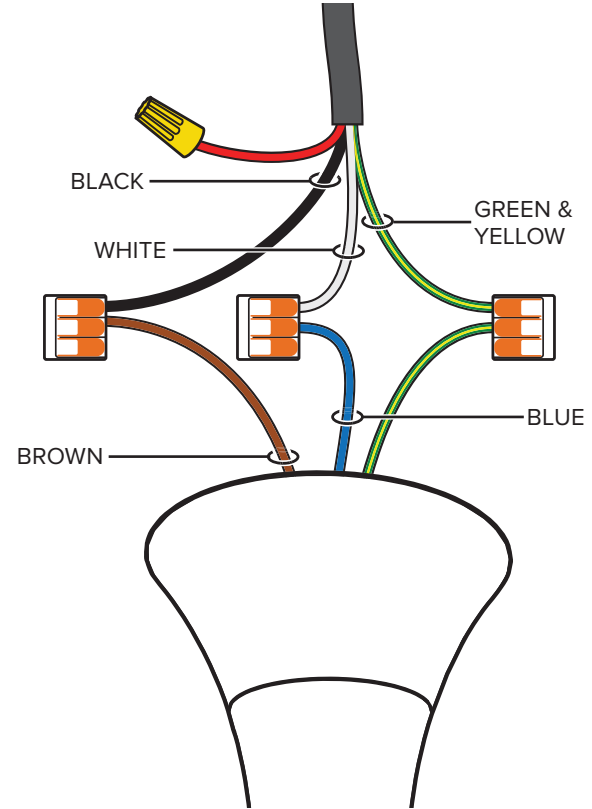
Wire the fan as shown in the diagram using the wire connectors (Fig. 5).

Fig. 5



	North America 100–120 V	All other regions
AC Hot/L1 Brown	Black	Brown
AC Neutral/L2 Blue	White	Blue
PE/Earth Ground Green with Yellow	Green or Bare Copper	Green with Yellow

Wiring Diagram



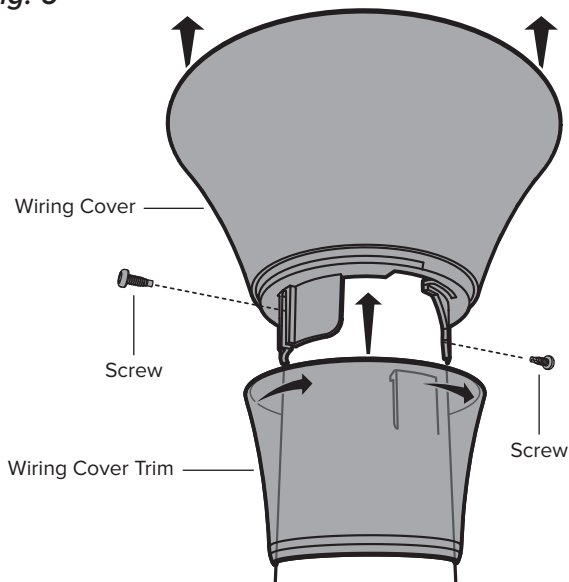
Standard Mount

6 Install Wiring Cover and Trim

Raise the wiring cover, allowing about a 1/8" (3 mm) gap at the ceiling. Align the mounting slots with the screw holes on the extension tube, and secure it with the wiring cover screws.

Slide the trim up the extension tube, aligning the tabs on the inside with the slots on the bottom of the wiring cover. Twist clockwise to snap the trim into position (Fig. 6).

Fig. 6



7 Install Airfoils

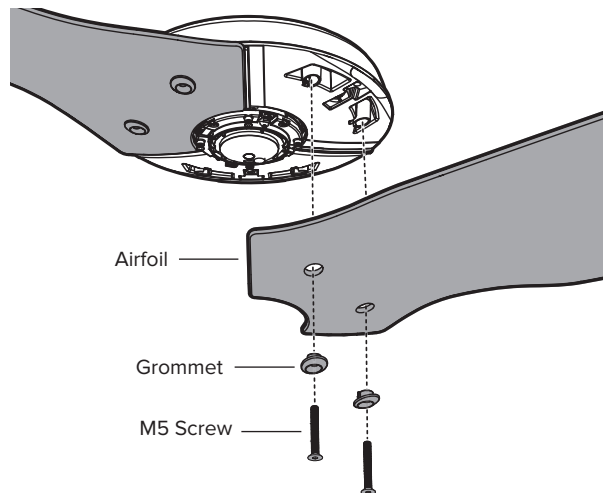


If you purchased the fan light kit, proceed to the instructions included with the kit, and then return to these instructions.

Remove and recycle the plastic protective cover.

Moving clockwise, align each airfoil on the fan hub and secure it with the airfoil hardware (Fig. 7). **Make sure the sticker color on each airfoil matches the corresponding sticker color on the fan hub!**

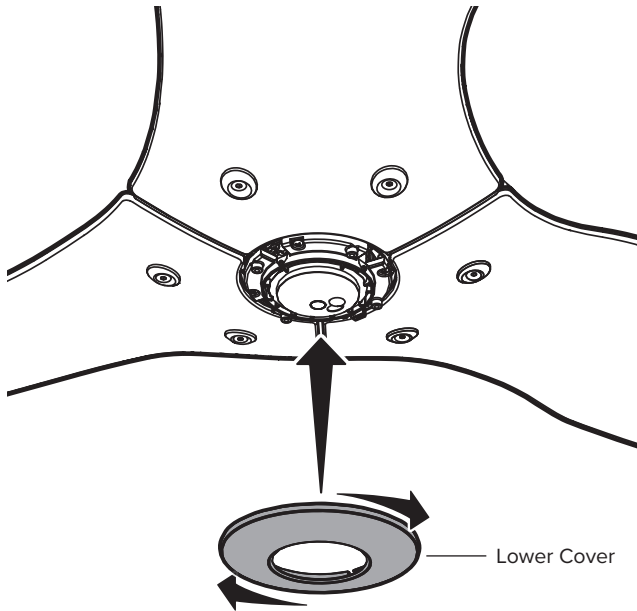
Fig. 7



8 Install Lower Cover

Attach the lower cover as shown (Fig. 8).

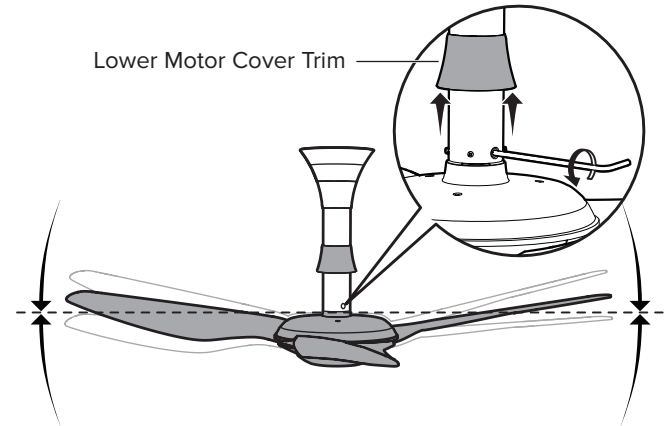
Fig. 8



Congratulations!

Installation is now complete. Test your fan using the remote control.

- ★ *If your fan appears slightly tilted, raise the lower motor cover trim and locate the pivot bolt. Loosen the bolt with a 5 mm hex key to allow the fan to hang straight, and then re-tighten.*



TROUBLESHOOTING

 *Your fan may occasionally jerk forward and backward upon startup. This is normal and does not affect fan operation.*

Try these troubleshooting steps before contacting Customer Service. For additional operation, maintenance, and troubleshooting information, visit haikuhome.com

Issue	Solution
The fan will not start.	<ul style="list-style-type: none">• Make sure the fan is receiving power.• Check your circuit breaker or fuse panel and wall switch for functionality.• Make sure the fan is properly wired and grounded.• Make sure the plastic film in the remote's battery tray has been removed.
The fan wobbles.	Remove the airfoils and make sure the colored dot sticker on each airfoil matches the corresponding sticker on the motor hub. If the stickers do not match, move the airfoils to the matching attachment points.
The fan appears slightly tilted. <i>(Low profile and standard mounts only.)</i>	Raise the lower motor cover trim and locate the pivot bolt. Loosen the bolt with a 5 mm hex key to allow the fan to hang straight, and then re-tighten.
The fan is noisy during operation.	Bring the fan to a complete stop. <ul style="list-style-type: none">• Gently turn the airfoils by hand, making sure there are no fan parts rubbing on the motor hub when the fan rotates.• Check all mounting and fan hardware. If loose, tighten.
I need to reboot the fan.	Press and hold the On/Off button until the LED indicators start blinking. Within three seconds of the LEDs flashing, press the On/Off button again. When the LEDs stop blinking, the reboot is complete.

FRANÇAIS

Suivez les instructions correspondant à votre type d'installation. Chaque mode de fixation utilise des pièces et une visserie spécifiques.

Fixation universelle

Installation

Plafonds horizontaux ou rampants de 3,4 m à 5,5 m (11 pi à 18 pi)

Tension d'entrée

100–240 V CA, 50–60 Hz



Page 6

Fixation courte

Installation

Plafonds horizontaux ou rampants descendant jusqu'à 2,4 m (8 pi)

Tension d'entrée

100–240 V CA, 50–60 Hz



Page 15

Fixation standard

Installation

Plafonds horizontaux de 2,5 m à 3,4 m (8,5 pi à 11 pi)

Tension d'entrée

100–240 V CA, 50–60 Hz



Page 22

À LIRE ET À CONSERVER EN LIEU SÛR

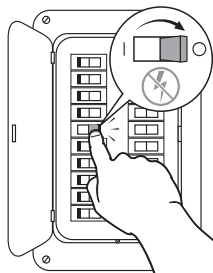
AVANT DE COMMENCER

☑ Coupez le courant

Contactez un électricien professionnel si vous ne vous sentez pas à l'aise avec les travaux électriques. La réglementation locale peut exiger que le ventilateur soit installé par un professionnel.

⚠ **N'utilisez pas de variateur d'intensité avec ce ventilateur.**

⚠ **Coupez le courant au niveau du disjoncteur !**



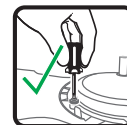
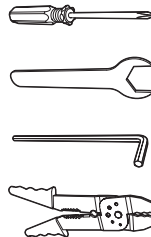
☑ Préparation du site de montage

Boîte de dérivation : Vérifiez que votre boîte de dérivation peut supporter le poids et le ballant d'un ventilateur. S'il n'y a pas de boîte de dérivation à l'emplacement du ventilateur, installez-en une sur une solive ou sur une poutre.

Plafond en béton : Si les normes de sécurité et de construction en vigueur l'exigent, installez un crochet d'ancrage pour l'élingue de sécurité.

Solive de plafond en bois : Fixez directement la plaque ou le support de fixation à la solive au moyen de deux vis à bois (non fournies). Big Ass Fans recommande l'utilisation de vis à bois à tête hexagonale de 12-11 x 45 mm résistantes à la corrosion, freinées.

☑ Préparez les outils nécessaires



☑ Choisissez une tige de prolongation (fixation universelle uniquement)

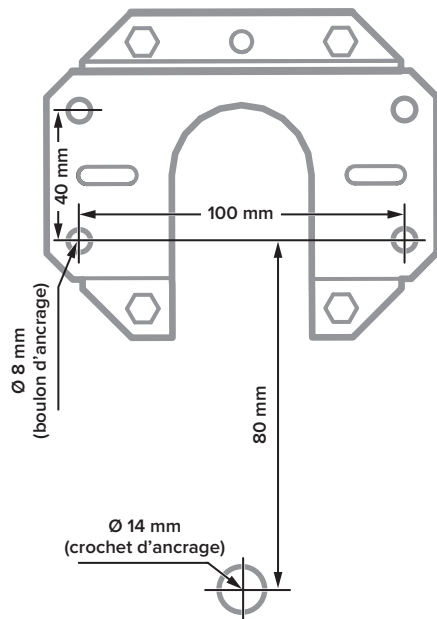
Si vous utilisez la fixation universelle, vous devez choisir une tige de prolongation adaptée à la hauteur et à la pente de votre plafond.

Tournez à la page 4 pour savoir comment choisir la tige de prolongation la mieux adaptée à votre installation.

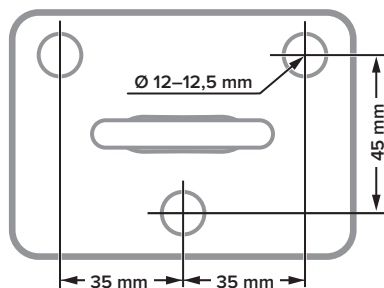
Plafond en béton

Si les normes de sécurité et de construction en vigueur l'exigent, installez un crochet d'ancrage pour l'élingue de sécurité.

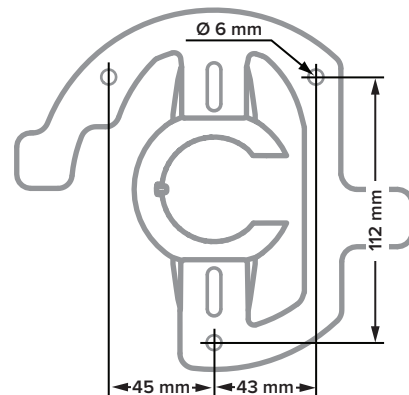
Fixation courte



Fixation standard



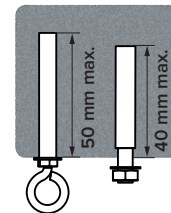
Fixation universelle



Fixation courte

Percez quatre trous de \varnothing 8 mm tel qu'illustré ci-contre. La profondeur des trous ne doit pas excéder 40 mm. Époussetez les trous. Insérez quatre boulons d'ancrage dans les trous. À l'aide d'un marteau, frappez la tête des boulons d'ancrage de sorte que la cheville affleure à la surface du plafond. Positionnez la plaque de fixation sur les boulons d'ancrage. Assurez-vous que les quatre boulons d'ancrage sont serrés à fond pour expander et verrouiller les systèmes d'ancrage.

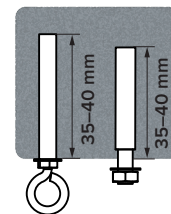
Si les normes de sécurité et de construction en vigueur l'exigent, installez un crochet d'ancrage pour l'élingue de sécurité. Percez un trou de \varnothing 14 mm pour le crochet d'ancrage, tel qu'illustré ci-contre. La profondeur du trou ne doit pas excéder 50 mm. Époussetez le trou, insérez le crochet d'ancrage et serrez à fond.



Fixation standard

Percez trois trous de \varnothing 12–12,5 mm tel qu'illustré ci-contre. La profondeur des trous ne doit pas excéder 35–40 mm. Époussetez les trous. Insérez trois boulons d'ancrage dans les trous. À l'aide d'un marteau, frappez la tête des boulons d'ancrage de sorte que la cheville affleure à la surface du plafond. Positionnez la plaque de suspension sur les boulons d'ancrage. Assurez-vous que les trois boulons d'ancrage sont serrés à fond pour expander et verrouiller les systèmes d'ancrage.

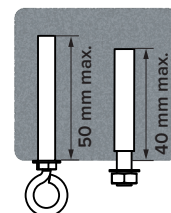
Si les normes de sécurité et de construction en vigueur l'exigent, installez un crochet d'ancrage pour l'élingue de sécurité. Percez un trou de \varnothing 8–8,5 mm pour le crochet d'ancrage à côté de la plaque de suspension. La profondeur du trou ne doit pas excéder 35–40 mm. Époussetez le trou, insérez le crochet d'ancrage et serrez à fond.



Fixation universelle

Percez trois trous de \varnothing 6 mm tel qu'illustré ci-contre. La profondeur des trous ne doit pas excéder 40 mm. Époussetez les trous. Insérez trois boulons d'ancrage dans les trous. À l'aide d'un marteau, frappez la tête des boulons d'ancrage de sorte que la cheville affleure à la surface du plafond. Positionnez le support de fixation sur les boulons d'ancrage. Assurez-vous que les trois boulons d'ancrage sont serrés à fond pour expander et verrouiller les systèmes d'ancrage.

Si les normes de sécurité et de construction en vigueur l'exigent, installez un crochet d'ancrage pour l'élingue de sécurité. Percez un trou de \varnothing 8 mm pour le crochet d'ancrage. La profondeur du trou ne doit pas excéder 50 mm. Époussetez le trou, insérez le crochet d'ancrage et serrez à fond.



Choix de la tige de prolongation (fixation universelle uniquement)

Consultez les tableaux suivants pour choisir la tige de prolongation adaptée à votre ventilateur.

Hauteur du plafond

Pour des performances optimales, nous vous recommandons d'utiliser une tige de prolongation dont la longueur est adaptée à la hauteur du plafond :

Hauteur du plafond	Longueur de la tige de prolongation
2,9–3,4 m (9,5–11 pi)	508 mm (20 po)
3,4–4 m (11–13 pi)	813 mm (32 po)
4–4,3 m* (13–14 pi*)	1 219 mm* (48 po*)
> 4,3 m* (> 14 pi*)	1 524 mm* (60 po*)

* Pour les plafonds de plus de 4 m (13 pi), Big Ass Fans recommande l'utilisation d'une tige de prolongation longue. Le ventilateur est livré de série avec deux tiges de prolongation : 508 mm (20 po) et 813 mm (32 po). Les autres longueurs sont disponibles auprès du service à la clientèle.

Pente du plafond

Les ventilateurs Haiku à fixation universelle peuvent être installés sur des plafonds rampants dont la pente forme un angle inférieur à 33°.

Diamètre du ventilateur	Pente maximale du plafond	Longueur de la tige de prolongation
1,3 m (52 po)	26°	508 mm (20 po)
1,3 m (52 po)	33°	813 mm (32 po)
1,5 m (60 po)	22°	508 mm (20 po)
1,5 m (60 po)	33°	813 mm (32 po)
2,1 m (84 po)	16°	508 mm (20 po)
2,1 m (84 po)	29°	813 mm (32 po)

Télécommande Haiku

 **Conservez la télécommande à l'abri de l'eau et de la pluie.**



Allume ou éteint le ventilateur.



Active le minuteur pour une durée maximale de huit heures. Chaque pression allonge la durée d'une heure.



Allume ou éteint l'éclairage.



Désactive le minuteur.



Augmente la vitesse de rotation ou la luminosité.



Fait varier la vitesse du ventilateur pour simuler une brise naturelle.

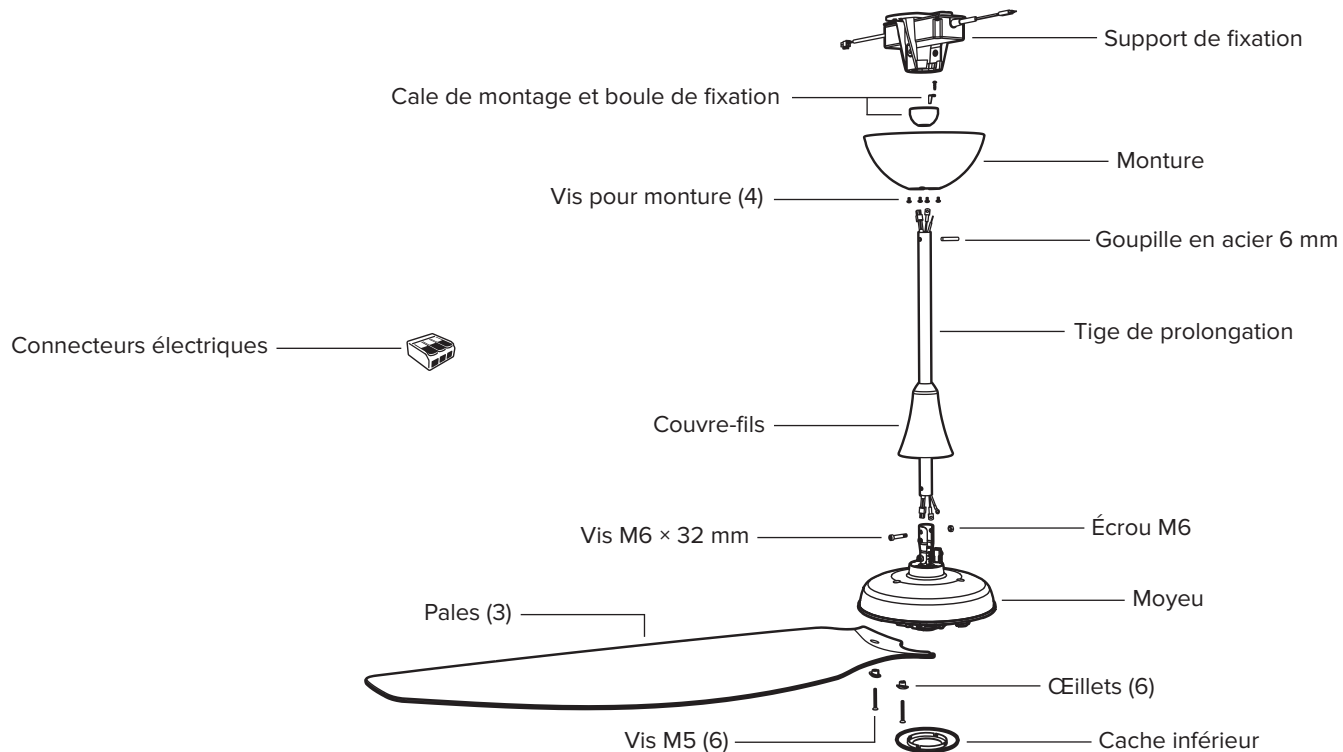


Réduit la vitesse de rotation ou la luminosité.



Ajuste automatiquement la vitesse du ventilateur pendant la nuit, pour un sommeil tout en confort.

FIXATION UNIVERSELLE



Élingue de sécurité non représentée.
Si votre ventilateur est livré avec un filtre EMI, installez-le.

1 Montage des pales

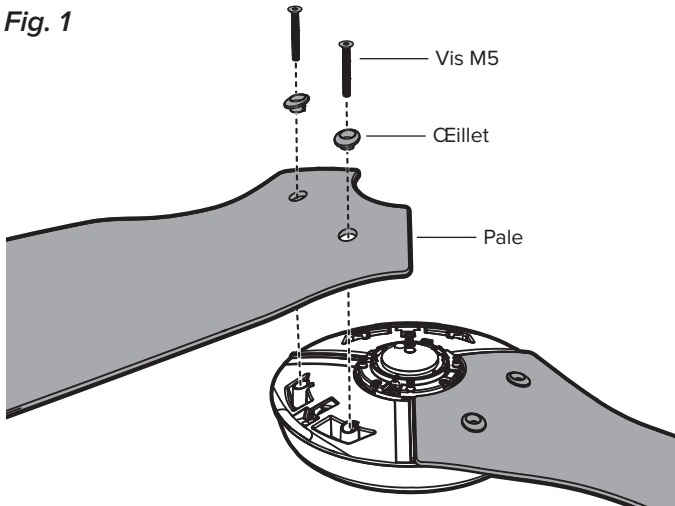


Si vous avez acheté un kit d'éclairage, installez-le en suivant les indications fournies, puis revenez aux présentes instructions.

Ôtez le cache de protection en plastique et recyclez-le.

En travaillant dans le sens des aiguilles d'une montre, alignez chaque pale sur le moyeu, puis fixez-les à l'aide de la visserie prévue à cet effet (fig. 1). **Veillez à faire correspondre les couleurs des pastilles collées sur les pales et sur le moyeu !**

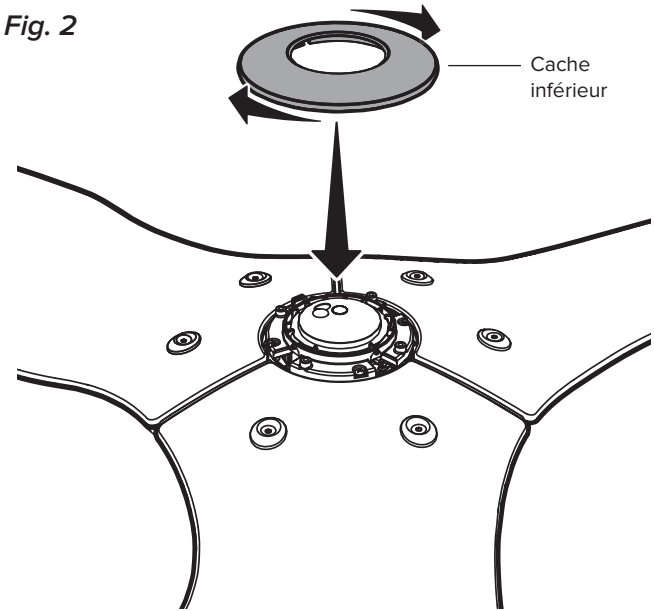
Fig. 1



2 Mise en place du cache inférieur

Fixez le cache inférieur comme illustré ci-dessous (fig. 2).

Fig. 2



3 Fixation de la tige de prolongation et du faisceau de fils

Alignez les trous de la tige de prolongation sur ceux du support moteur, puis fixez la tige de prolongation à l'aide de la vis M6 × 32 mm et de l'écrou M6 (fig. 3.1).

Branchez le faisceau de fils sortant de la tige de prolongation au connecteur sortant du moyeu (fig. 3.2).

Fig. 3.1

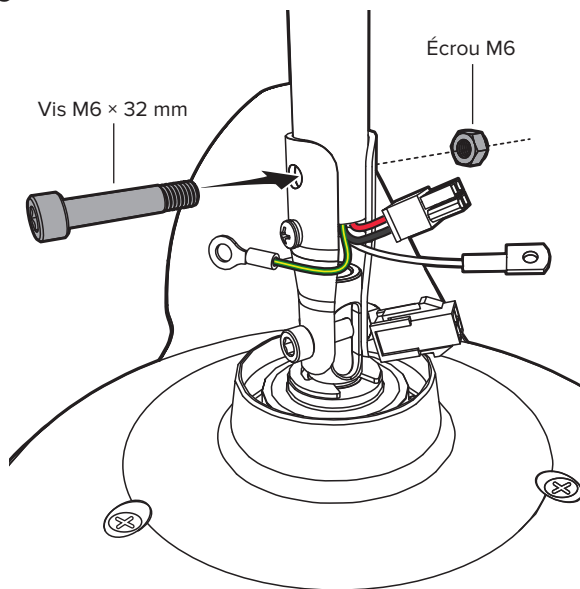
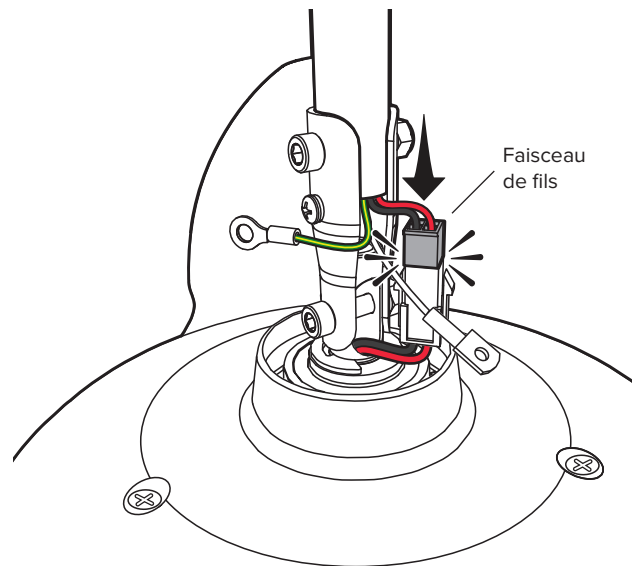


Fig. 3.2



4 Fixation de la partie inférieure de l'élingue de sécurité et du fil de terre

Fixez l'élingue de sécurité et la cosse du fil de terre à l'aide des vis non peintes et des rondelles Grower (fig. 4.1).

Vérifiez que la visserie est bien serrée, puis tirez doucement sur les câbles en haut de la tige de prolongation pour éliminer le mou (fig. 4.2).

Faites descendre le couvre-fils le long de la tige de prolongation et laissez-le en appui sur le moyeu du ventilateur. Assurez-vous qu'aucun fil n'est visible entre le couvre-fils et le moyeu du ventilateur. Faites descendre la monture le long de la tige de prolongation (fig. 4.3).

Fig. 4.1

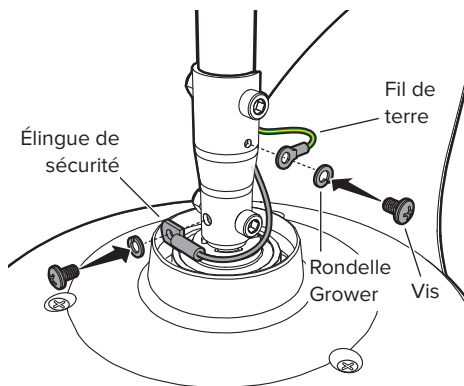


Fig. 4.2

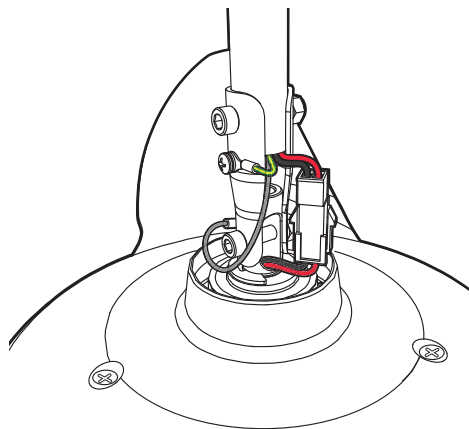
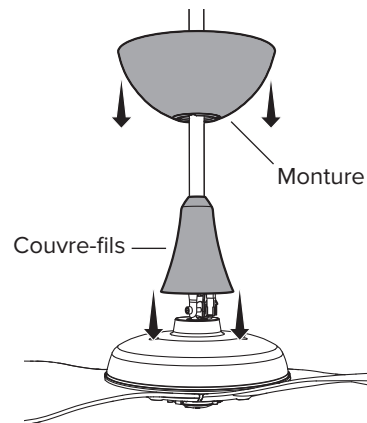


Fig. 4.3



5 Mise en place de la boule de fixation

Enfilez la boule de fixation sur la tige de prolongation (fig. 5.1).

Introduisez la goupille d'acier de 6 mm dans le trou situé en haut de la tige de prolongation, puis faites remonter la boule de fixation en veillant à ce que la goupille d'acier se loge dans ses fentes internes (fig. 5.2).

Insérez la cale dans la boule de fixation et maintenez-la en place à l'aide de la vis. Serrez suffisamment pour éviter tout jeu entre la boule de fixation et la tige de prolongation, mais ne serrez pas trop (fig. 5.3).

Fig. 5.1

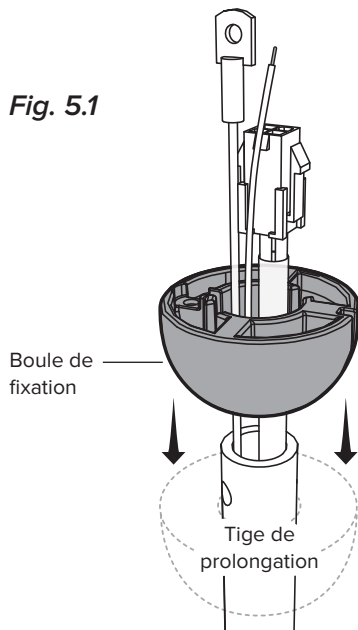


Fig. 5.2

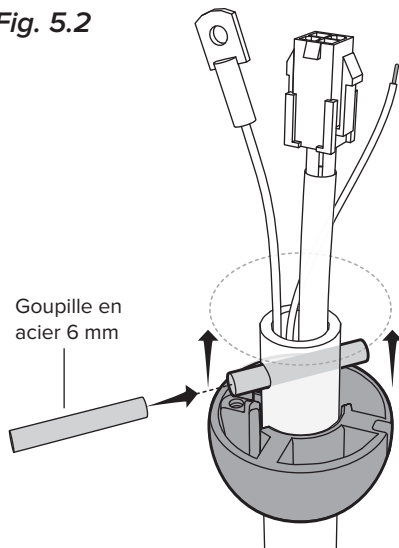
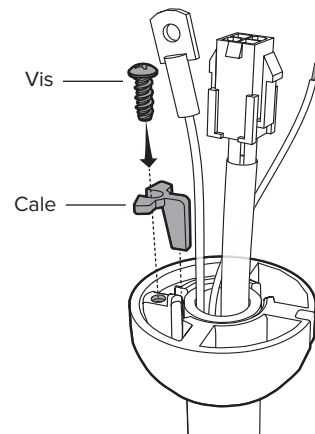


Fig. 5.3



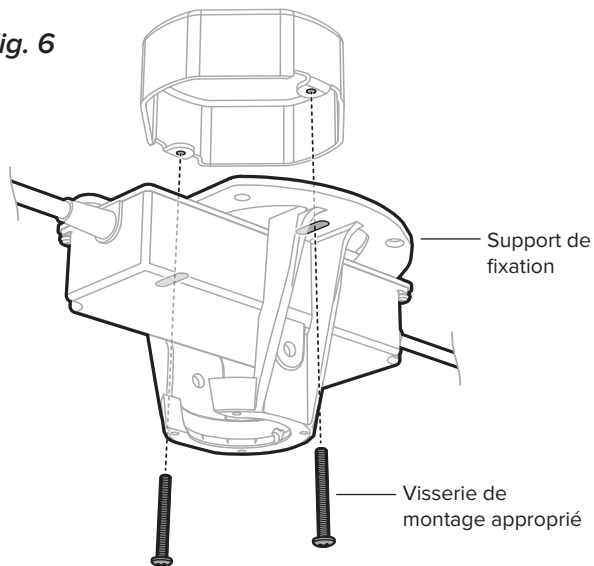
6 Mise en place du support de fixation

⚠ Coupez l'alimentation du ventilateur avant d'installer le support de fixation !

Fixez le support de fixation à la structure d'ancrage à l'aide des visserie de montage approprié (Fig. 6).

Boîte de dérivation illustrée. La configuration de votre structure d'ancrage peut être différente de celle de l'illustration.

Fig. 6

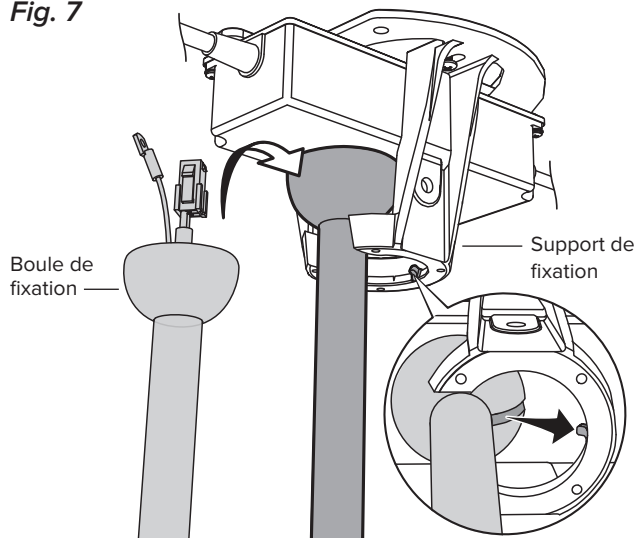


7 Suspension du ventilateur

Soulevez le ventilateur jusqu'au support de fixation. Alignez la nervure du support de fixation sur la fente de la boule de fixation, mettez la boule de fixation en place, puis relâchez le ventilateur (fig. 7).

Faites légèrement pivoter la tige de prolongation pour vous assurer qu'elle est bien en place et qu'elle ne bougera pas une fois le ventilateur en marche.

Fig. 7



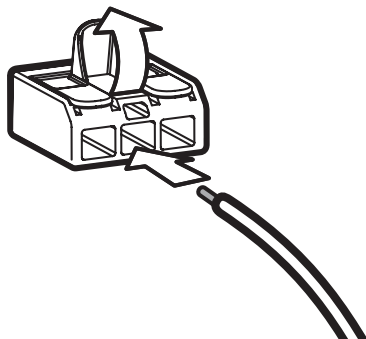
8 Câblage du ventilateur

- ⚠ **Coupez l'alimentation du ventilateur avant de procéder au câblage !**
- ⚠ **Ne branchez jamais le ventilateur à une source de courant endommagée ! N'essayez pas de réparer une panne électrique seul. Contactez un électricien qualifié si vous avez le moindre doute concernant le raccordement électrique de ce ventilateur.**

Procédez au câblage conformément au schéma électrique, en utilisant les connecteurs électriques (*fig. 8*). Si votre ventilateur est livré avec un filtre EMI, installez-le en suivant le schéma électrique.

Fixez le fil de terre vert au support à l'aide de la vis non peinte. Branchez le faisceau de fils provenant de l'alimentation au faisceau de fils sortant de la tige de prolongation, en veillant à ce que les fils électriques et l'élingue de sécurité sortent du même côté.

Fig. 8



	Amérique du Nord 100–120 V	Autres régions
Phase CA/L1 Marron	Noir	Marron
Neutre CA/L2 Bleu	Blanc	Bleu
PE/Terre Vert et jaune	Vert ou cuivre nu	Vert et jaune

Schéma électrique (sans filtre EMI)

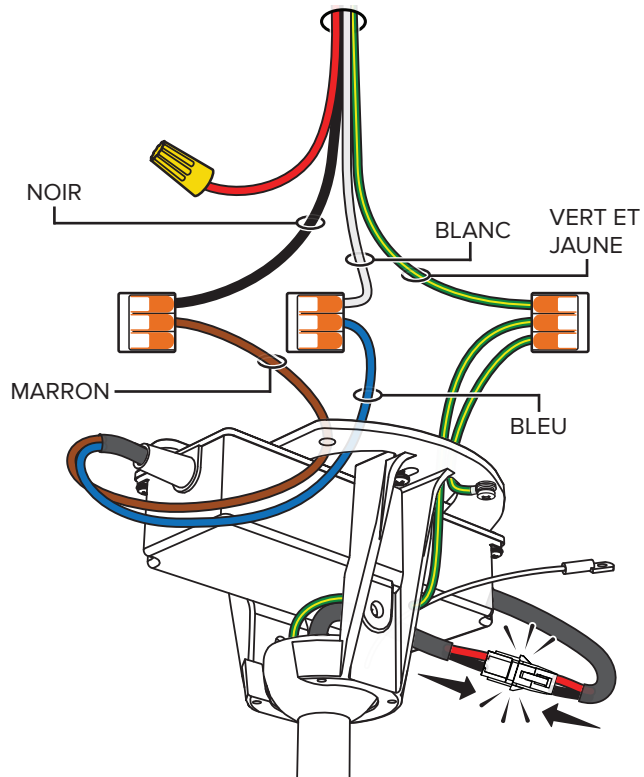
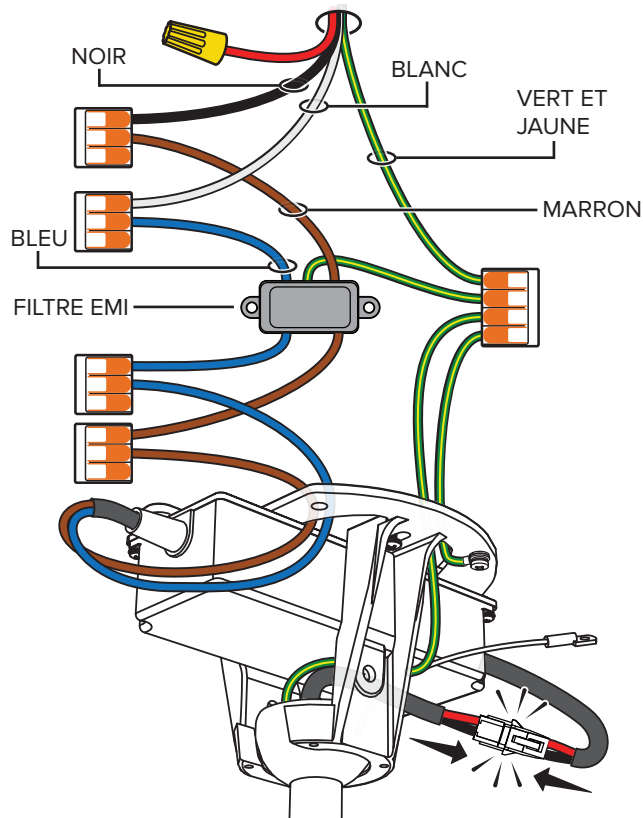


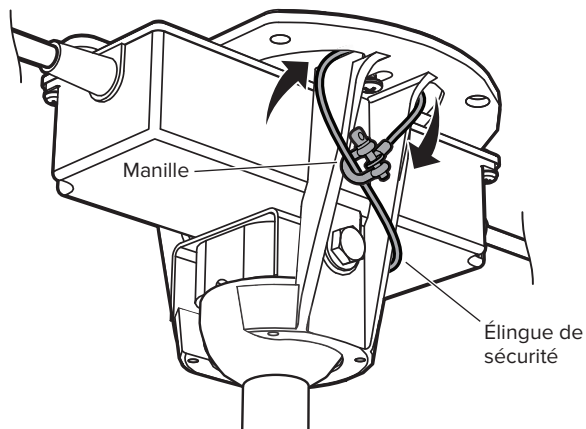
Schéma électrique (avec filtre EMI)



9 Mise en place de l'élingue de sécurité

Passez l'élingue de sécurité autour du support de fixation ou d'un élément structurel, puis attachez-la à l'aide de la manille (fig. 9).

Fig. 9

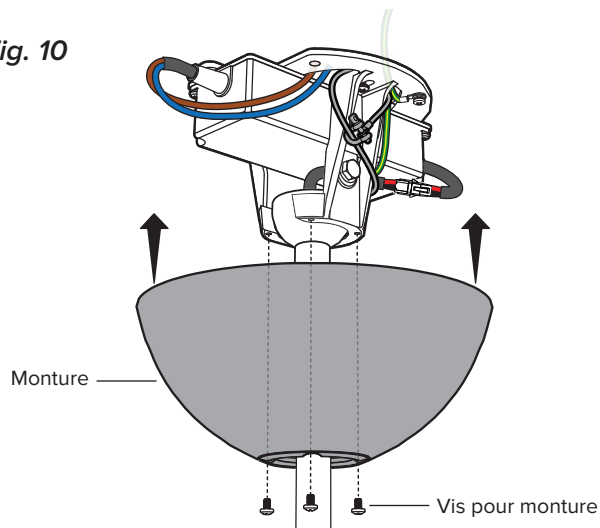


Canada : L'élingue de sécurité doit être directement fixée à un élément structurel du bâtiment. Il est parfois nécessaire d'installer des éléments structurels supplémentaires pour créer des points d'attache.

10 Mise en place de la monture

Faites remonter la monture jusqu'au support de fixation en alignant les quatre trous de la monture sur ceux du support. Fixez la monture au support de fixation à l'aide des vis peintes (fig. 10). Veillez à bien rentrer tous les fils ainsi que l'élingue de sécurité dans la monture.

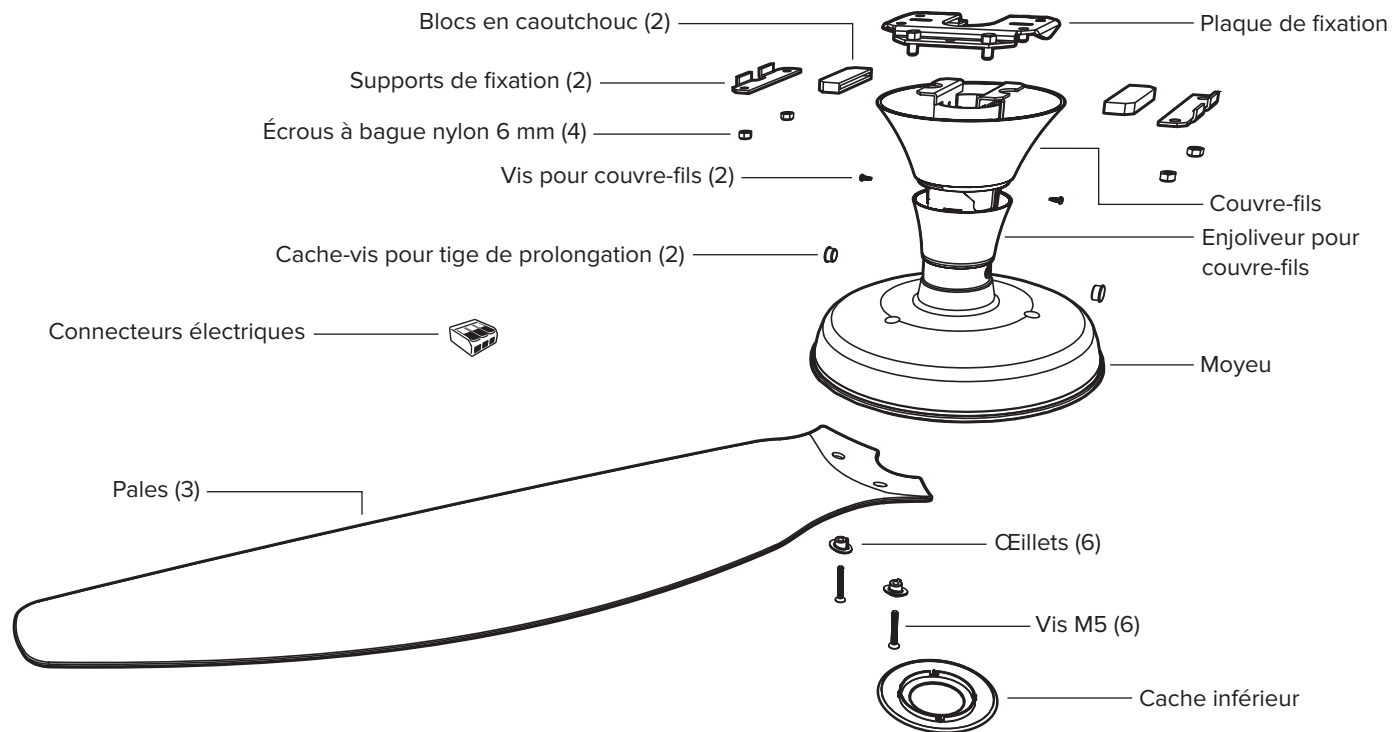
Fig. 10



Félicitations !

L'installation est terminée. Vous pouvez à présent tester votre ventilateur en utilisant la télécommande.

FIXATION COURTE



Utilisez les cache-vis pour tige de prolongation de la couleur de votre ventilateur.
Élingue de sécurité non représentée.

1 Mise en place de la plaque de fixation et d'un seul support

Enfilez les blocs en caoutchouc sur les supports de la tige de prolongation (fig. 1.1).

Fixez le support de fixation à la structure d'ancrage à l'aide des visserie de montage approprié (Fig. 1.2). *La configuration de votre structure d'ancrage peut être différente de celle de l'illustration.*

Montez l'un des deux supports de fixation sur la plaque de fixation à l'aide de deux écrous à bague nylon de 6 mm, sans serrer à fond (fig. 1.3).

Fig. 1.1

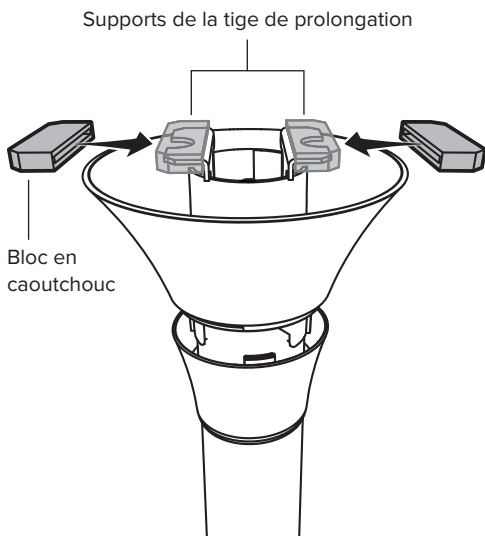
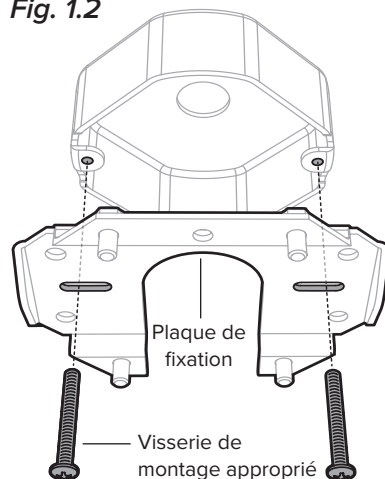
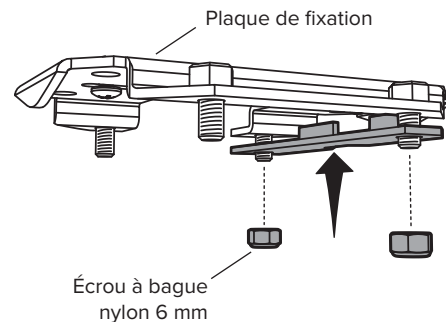


Fig. 1.2



Boîte de dérivation illustrée. La configuration de votre structure d'ancrage peut être différente de celle de l'illustration.

Fig. 1.3



2 Mise en place de l'élingue de sécurité

Soulevez le ventilateur jusqu'au support de fixation et insérez provisoirement l'un des deux blocs en caoutchouc dans l'espace situé entre le support et la plaque (fig. 2.1). Tout en soutenant le ventilateur, passez l'élingue de sécurité autour de la plaque de fixation ou d'un élément structurel, puis attachez-la à l'aide de la manille (fig. 2.2).

Fig. 2.1

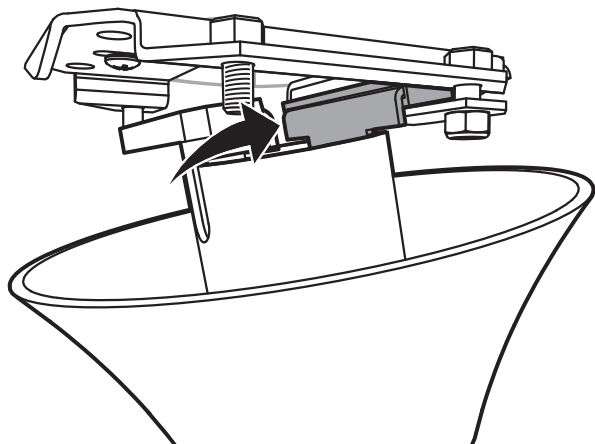
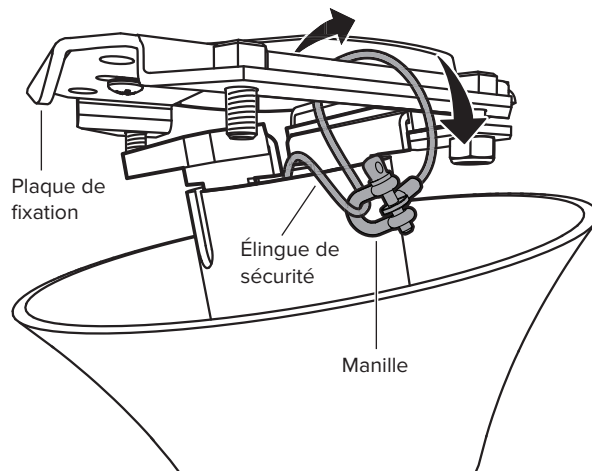


Fig. 2.2



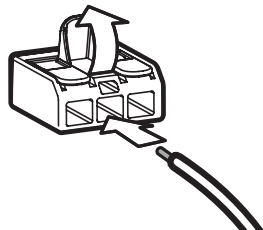
Canada : L'élingue de sécurité doit être directement fixée à un élément structurel du bâtiment. Il est parfois nécessaire d'installer des éléments structurels supplémentaires pour créer des points d'attache.

3 Câblage du ventilateur

- ⚠ **Coupez l'alimentation du ventilateur avant de procéder au câblage !**
- ⚠ **Ne branchez jamais le ventilateur à une source de courant endommagée ! N'essayez pas de réparer une panne électrique seul. Contactez un électricien qualifié si vous avez le moindre doute concernant le raccordement électrique de ce ventilateur.**

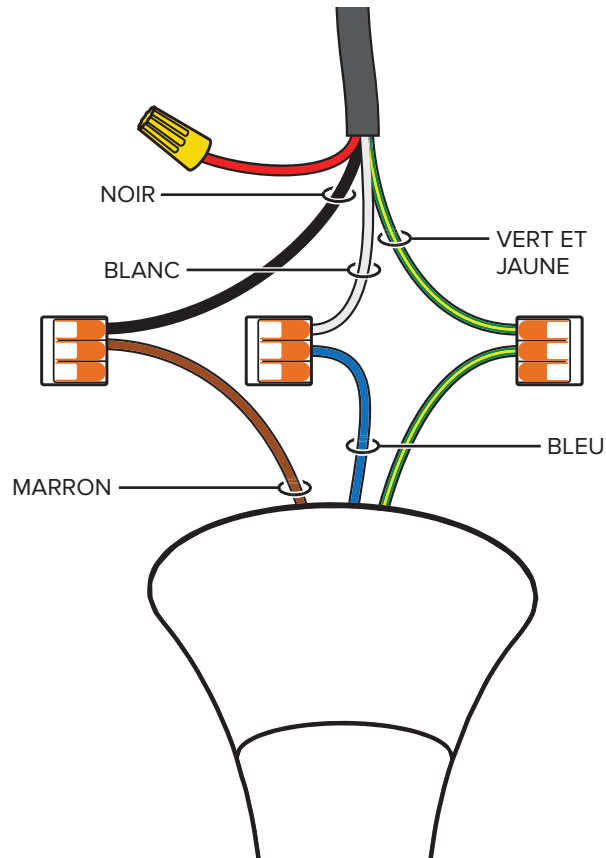
Laissez le ventilateur pendre librement, suspendu à l'élingue de sécurité. Procédez au câblage conformément au schéma électrique, en utilisant les connecteurs électriques (fig. 3).

Fig. 3



	Amérique du Nord 100–120 V	Autres régions
Phase CA/L1 Marron	Noir	Marron
Neutre CA/L2 Bleu	Blanc	Bleu
PE/Terre Vert et jaune	Vert ou cuivre nu	Vert et jaune

Schéma électrique



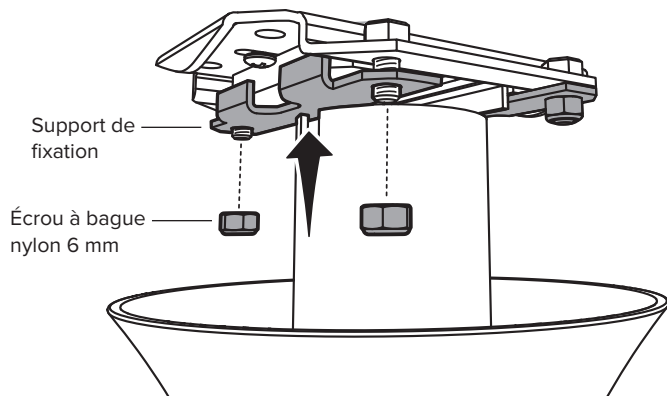
4 Montage des supports de fixation

Soulevez le ventilateur jusqu'au support de fixation. Glissez l'un des blocs en caoutchouc entre la plaque de fixation et le support de fixation préalablement monté (avec les écrous à bague nylon de 6 mm non serrés à fond).

Fixez l'autre bloc en caoutchouc à l'aide du support de fixation et des écrous restants (fig. 4).

Serrez tous les boulons à fond.

Fig. 4

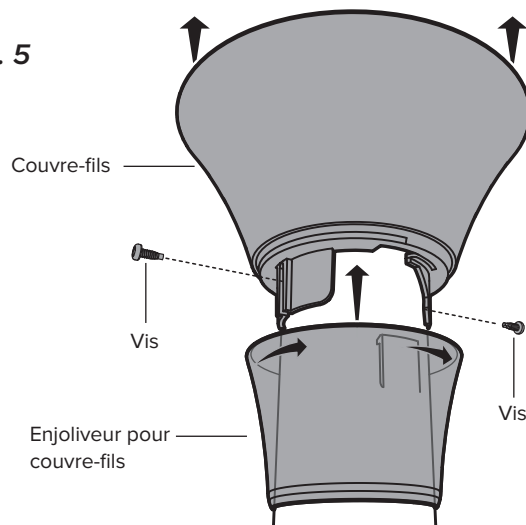


5 Mise en place du couvre-fils

Faites remonter le couvre-fils en veillant à laisser un espace d'environ 3 mm (1/8 po) entre le couvre-fils et le plafond. Alignez les fentes de fixation sur les trous de vis de la tige de prolongation, puis fixez le couvre-fils à l'aide des vis prévues à cet effet.

Faites remonter l'enjoliveur le long de la tige de prolongation en alignant les ergots intérieurs sur les fentes de la partie inférieure du couvre-fils. Enclenchez l'enjoliveur en le faisant pivoter dans le sens des aiguilles d'une montre (fig. 5).

Fig. 5



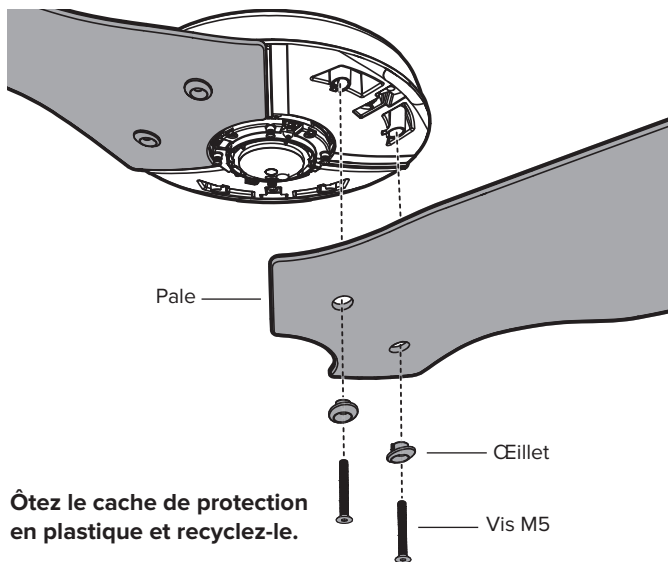
6 Montage des pales



Si vous avez acheté un kit d'éclairage, installez-le en suivant les indications fournies, puis revenez aux présentes instructions.

En travaillant dans le sens des aiguilles d'une montre, alignez chaque pale sur le moyeu, puis fixez-les à l'aide de la visserie prévue à cet effet (fig. 6). **Veillez à faire correspondre les couleurs des pastilles collées sur les pales et sur le moyeu !**

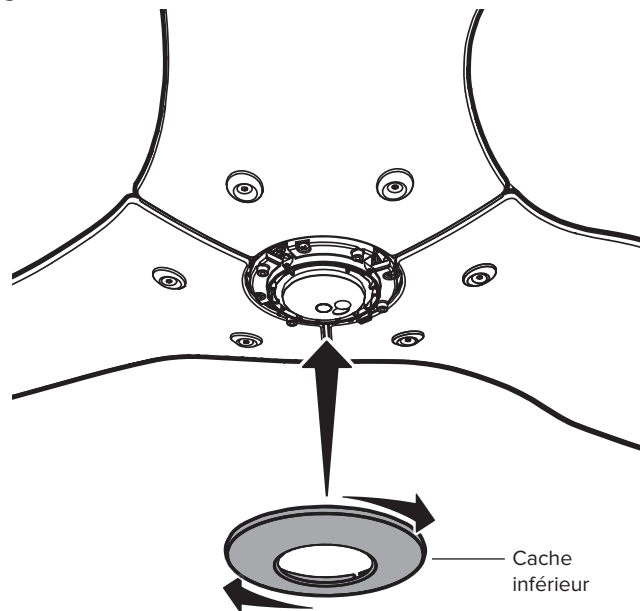
Fig. 6



7 Mise en place du cache inférieur

Fixez le cache inférieur comme illustré ci-dessous (fig. 7).

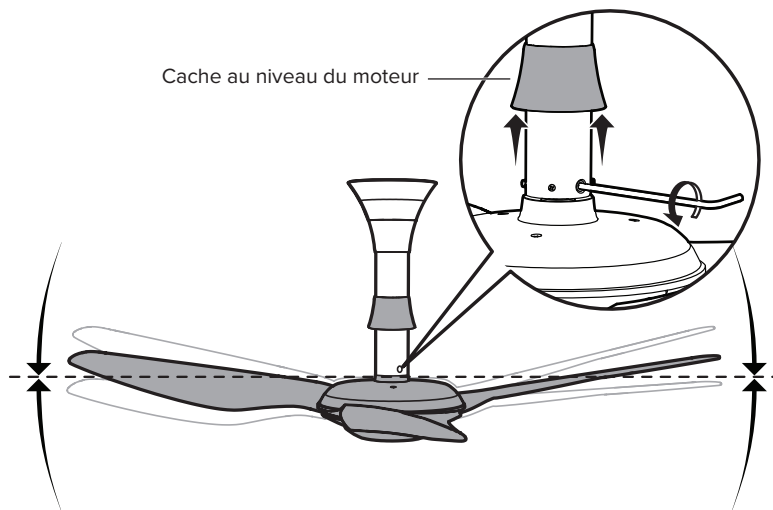
Fig. 7



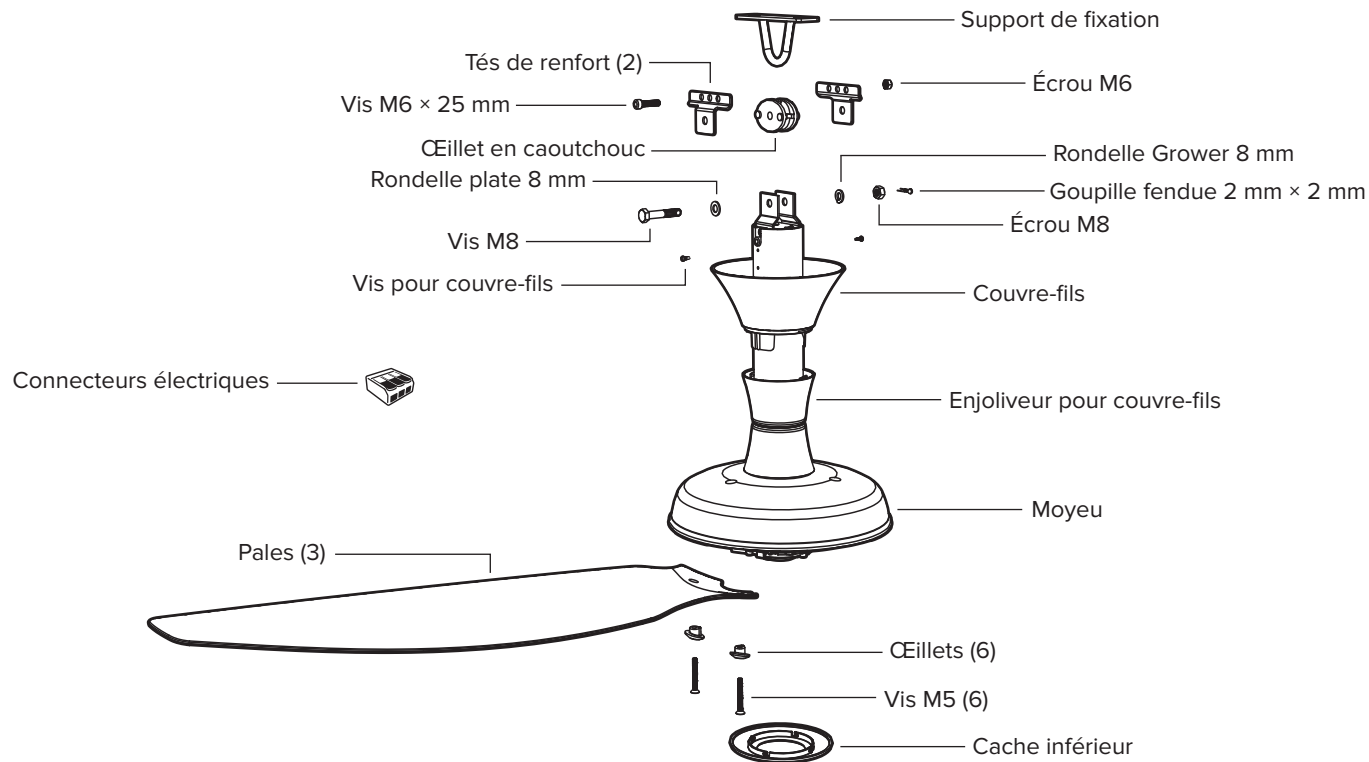
Félicitations !

L'installation est terminée. Vous pouvez à présent tester votre ventilateur en utilisant la télécommande.

- ★ *Si votre ventilateur est légèrement incliné, soulevez le cache situé au niveau du moteur et repérez la vis de pivotement. Desserrez-la à l'aide d'une clé 6 pans de 5 mm, rectifiez l'aplomb du ventilateur, puis resserrez la vis.*



FIXATION STANDARD



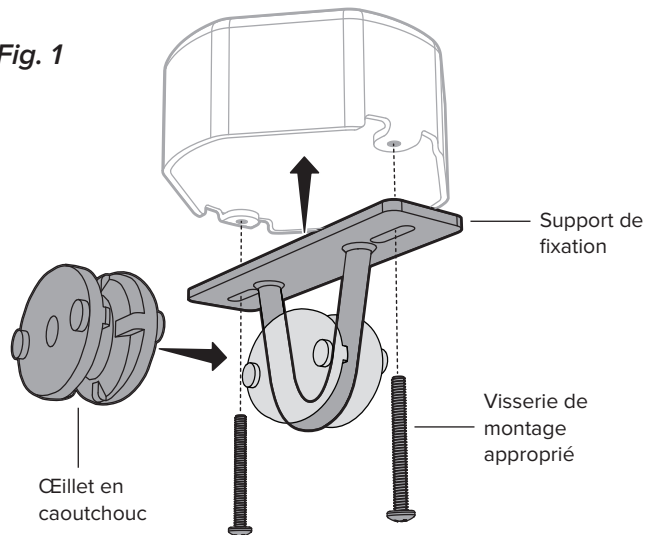
Utilisez les cache-vis pour tige de prolongation de la couleur de votre ventilateur.
Élingue de sécurité non représentée.

1 Mise en place du support de fixation

Insérez l'œillet en caoutchouc dans le support de fixation (fig. 1).

Fixez le support de fixation à la structure d'ancrage à l'aide des visserie de montage approprié (fig. 1). **La configuration de votre structure d'ancrage peut être différente de celle de l'illustration.**

Fig. 1

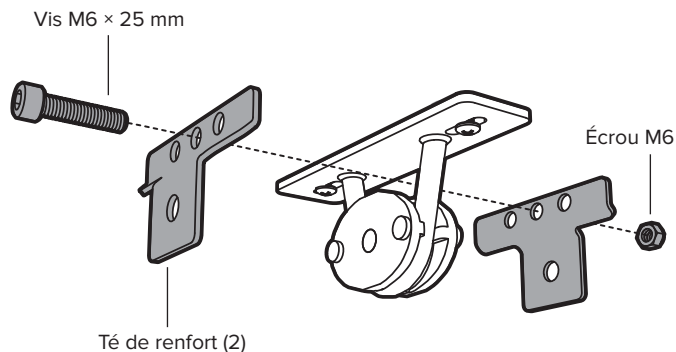


Boîte de dérivation illustrée. La configuration de votre structure d'ancrage peut être différente de celle de l'illustration.

2 Fixation des tés de renfort

Fixez les tés de renfort à l'aide de la visserie fournie sans serrer à fond (fig. 2). La vis doit être introduite dans le trou du milieu. Ne serrez pas le boulon à fond.

Fig. 2



3 Suspension du ventilateur

Amenez la tige de prolongation jusqu'au support de fixation, puis insérez les supports de la tige de prolongation entre les tés de renfort et l'œillet en caoutchouc en veillant à aligner les trous de fixation. Fixez la tige de prolongation à l'aide de la visserie prévue à cet effet (fig. 3).


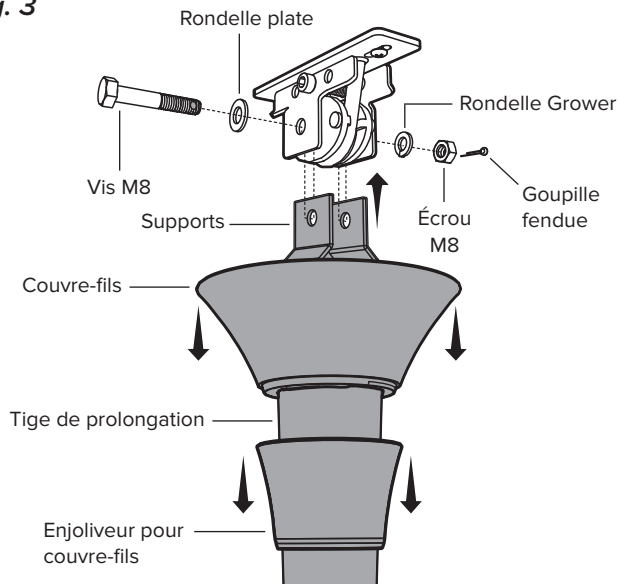
 Serrez le boulon à fond de sorte que les tés compriment légèrement l'œillet en caoutchouc.

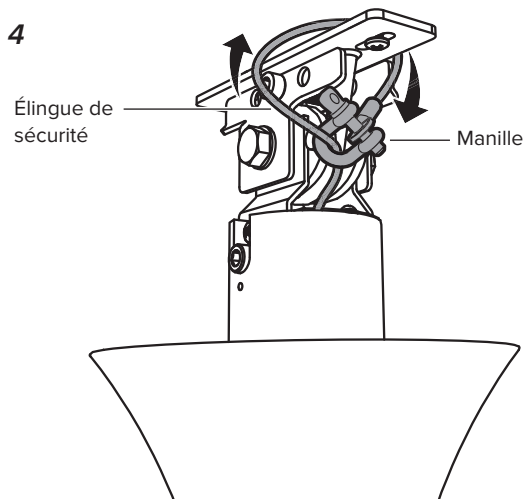
Fig. 3



4 Mise en place de l'élingue de sécurité

Tout en soutenant le ventilateur, passez l'élingue de sécurité autour du support de fixation ou d'un élément structurel, puis attachez-la à l'aide de la manille (fig. 4).

Fig. 4



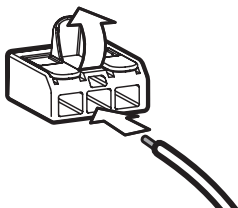
Canada : L'élingue de sécurité doit être directement fixée à un élément structurel du bâtiment. Il est parfois nécessaire d'installer des éléments structurels supplémentaires pour créer des points d'attache.

5 Câblage du ventilateur

- ⚠ **Coupez l'alimentation du ventilateur avant de procéder au câblage !**
- ⚠ **Ne branchez jamais le ventilateur à une source de courant endommagée ! N'essayez pas de réparer une panne électrique seul. Contactez un électricien qualifié si vous avez le moindre doute concernant le raccordement électrique de ce ventilateur.**

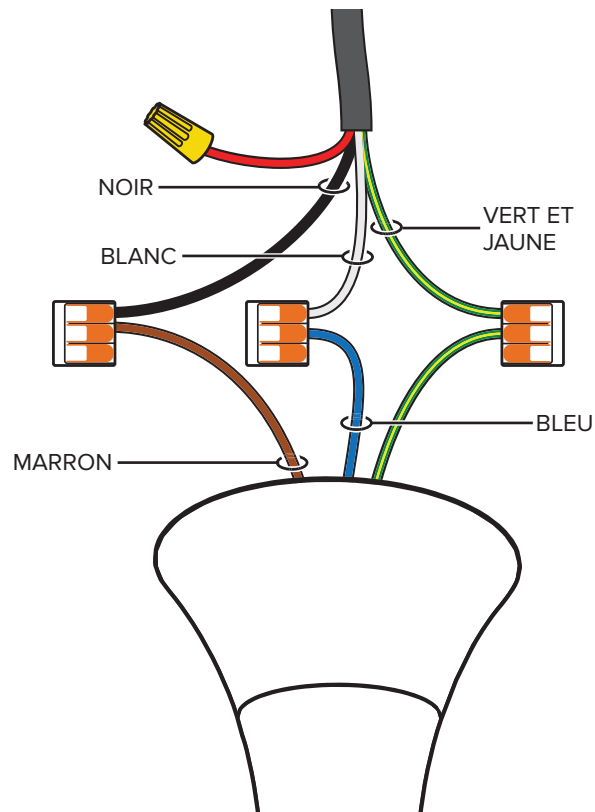
Procédez au câblage conformément au schéma électrique, en utilisant les connecteurs électriques (fig. 5).

Fig. 5



	Amérique du Nord 100–120 V	Autres régions
Phase CA/L1 Marron	Noir	Marron
Neutre CA/L2 Bleu	Blanc	Bleu
PE/Terre Vert et jaune	Vert ou cuivre nu	Vert et jaune

Schéma électrique

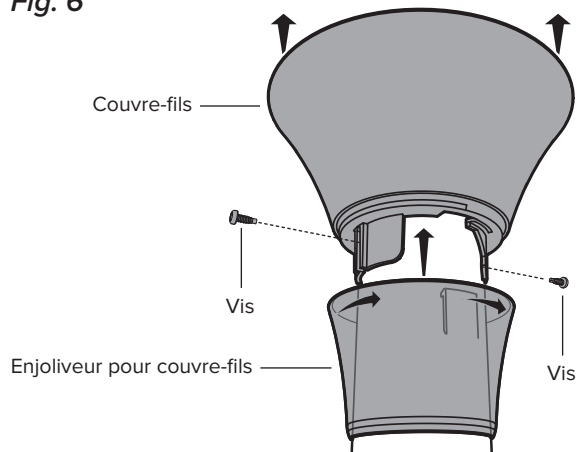


6 Mise en place du couvre-fils et de son enjoliveur

Faites remonter le couvre-fils en veillant à laisser un espace d'environ 3 mm (1/8 po) entre le couvre-fils et le plafond. Alignez les fentes de fixation sur les trous de vis de la tige de prolongation, puis fixez le couvre-fils à l'aide des vis prévues à cet effet.

Faites remonter l'enjoliveur le long de la tige de prolongation en alignant les ergots intérieurs sur les fentes de la partie inférieure du couvre-fils. Enclenchez l'enjoliveur en le faisant pivoter dans le sens des aiguilles d'une montre (fig. 6).

Fig. 6



7 Montage des pales

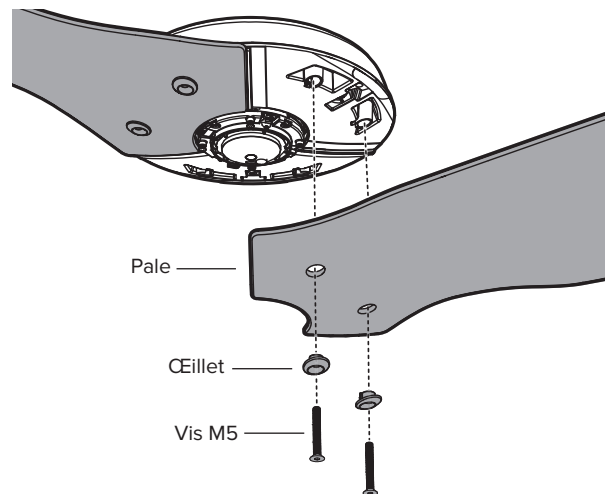


Si vous avez acheté un kit d'éclairage, installez-le en suivant les indications fournies, puis revenez aux présentes instructions.

Ôtez le cache de protection en plastique et recyclez-le.

En travaillant dans le sens des aiguilles d'une montre, alignez chaque pale sur le moyeu, puis fixez-les à l'aide de la visserie prévue à cet effet (fig. 7). **Veillez à faire correspondre les couleurs des pastilles collées sur les pales et sur le moyeu !**

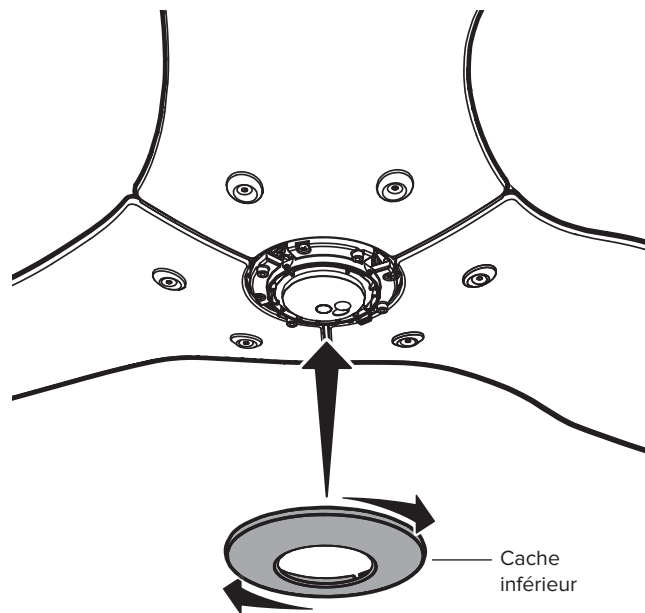
Fig. 7



8 Mise en place du cache inférieur

Fixez le cache inférieur comme illustré ci-dessous (fig. 8).

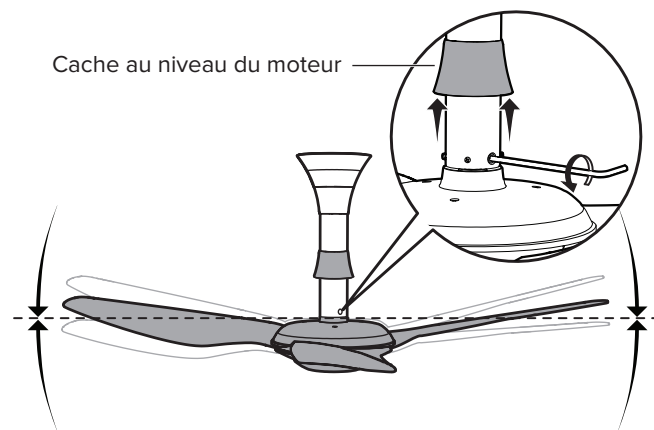
Fig. 8



Félicitations !

L'installation est terminée. Vous pouvez à présent tester votre ventilateur en utilisant la télécommande.

- ★ Si votre ventilateur est légèrement incliné, soulevez le cache situé au niveau du moteur et repérez la vis de pivotement. Desserrez-la à l'aide d'une clé 6 pans de 5 mm, rectifiez l'aplomb du ventilateur, puis resserrez la vis.



DÉPANNAGE

★ Il se peut que votre ventilateur donne des à-coups (vers l'avant et vers l'arrière) au démarrage. Ce phénomène normal ne nuit pas au bon fonctionnement du ventilateur.

Essayez les procédures de dépannage suivantes avant de contacter le service à la clientèle. Pour obtenir des informations complémentaires sur l'utilisation, l'entretien et le dépannage de votre ventilateur, rendez-vous sur haikuhome.com

Problème	Solution
Le ventilateur ne démarre pas.	<ul style="list-style-type: none">• Vérifiez que le ventilateur est alimenté en électricité.• Vérifiez le bon fonctionnement du disjoncteur ou du tableau des fusibles et de l'interrupteur mural.• Vérifiez que le ventilateur est correctement câblé et qu'il est mis à la terre.• Assurez-vous d'avoir retiré le film en plastique au niveau du compartiment de la pile de la télécommande.
Le ventilateur oscille.	Démontez les pales et vérifiez que la couleur des pastilles collées sur les pales correspond à la couleur des pastilles collées sur le moyeu du ventilateur. Si les couleurs ne correspondent pas, intervertissez les pales de façon à les monter au bon emplacement.
Le ventilateur est légèrement incliné. <i>(Fixations courte et standard uniquement)</i>	Soulevez le cache situé au niveau du moteur et repérez la vis de pivotement. Desserrez-la à l'aide d'une clé 6 pans de 5 mm, rectifiez l'aplomb du ventilateur, puis resserrez la vis.
Le ventilateur est bruyant.	Arrêtez complètement le ventilateur. <ul style="list-style-type: none">• Faites lentement tourner les pales à la main, en vérifiant qu'aucune pièce ne frotte contre le moyeu lorsque le ventilateur tourne.• Vérifiez toutes les fixations et toute la visserie du ventilateur. S'il y a du jeu, resserrez les vis et les boulons.
J'ai besoin de réinitialiser le ventilateur.	Maintenez le bouton On/Off enfoncé jusqu'à ce que les voyants DEL commencent à clignoter. Dans les trois secondes qui suivent, rappelez sur le bouton On/Off. Lorsque les voyants DEL arrêtent de clignoter, le ventilateur est réinitialisé.

ESPAÑOL

Siga las instrucciones para su tipo de montura. Cada montura utiliza diferentes partes y accesorios.

Montura universal

Montura

Techos inclinados o planos de 11 a 18 pies (3.4 a 5.5 metros).

Tensión de entrada

100–240 VCA, 50–60 Hz.



Página 6

Montura de bajo perfil

Montura

Techos planos incluso tan bajos como 8 pies (2.4 metros).

Tensión de entrada

100–240 VCA, 50–60 Hz.



Página 15

Montura estándar

Montura

Techos planos de 8.5 a 11 pies (2.5 a 3.4 metros).

Tensión de entrada

100–240 VCA, 50–60 Hz.



Página 22

LEA Y CONSERVE ESTAS INSTRUCCIONES

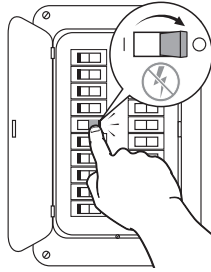
ANTES DE COMENZAR

☑ Desconecte la alimentación

Si no se siente cómodo realizando trabajos eléctricos, ¡llame a un electricista registrado! Si el código local así lo exige, el ventilador debe ser instalado por un electricista registrado.

⚠ **No utilice el ventilador con un regulador de intensidad.**

⚠ **¡Corte la energía desde el interruptor!**



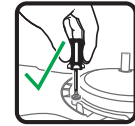
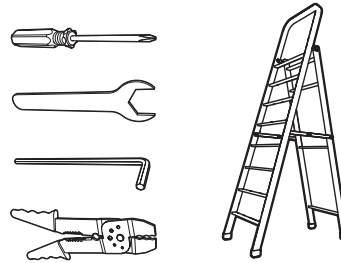
☑ Preparar el lugar de instalación del ventilador

Caja de distribución: Verifique que su caja de distribución sea adecuada para soportar el ventilador. Si en el lugar de instalación del ventilador no hay una caja de distribución, instale una en una viga o vigueta.

Techo de concreto: Si el código de construcción y seguridad local lo requiere, instale un gancho de anclaje para el cable de seguridad.

Viga de techo de madera: Asegure la placa o el soporte de montaje directamente a la viga usando dos tornillos para madera (no provistos). Big Ass Fans recomienda utilizar tornillos para madera de cabeza hexagonal 12-11 x 45 mm resistentes a la corrosión, con sello.

☑ Busque las herramientas



☑ Seleccione un tubo de extensión (solo para montura universal)

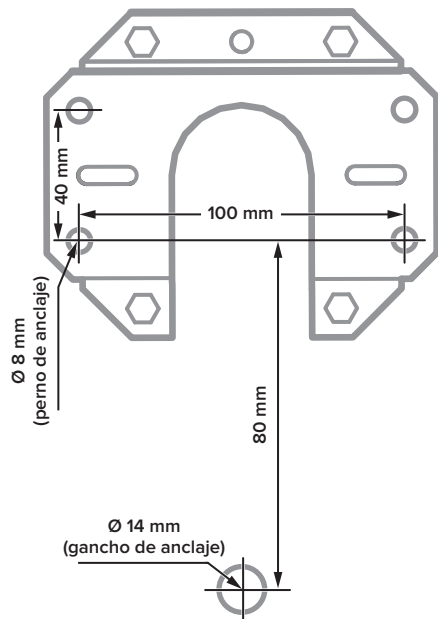
Si su ventilador utiliza la montura universal, deberá seleccionar el tubo de extensión adecuado para la altura y la pendiente de su techo.

En la página 4 encontrará una guía para seleccionar el tubo de extensión más apropiado.

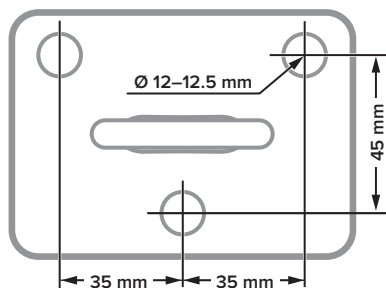
Techo de concreto

Si el código de construcción y seguridad local lo requiere, instale un gancho de anclaje para el cable de seguridad.

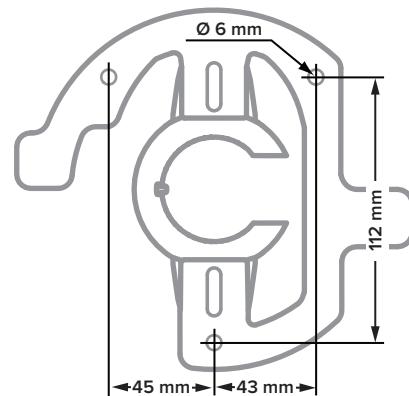
Montura de bajo perfil



Montura estándar



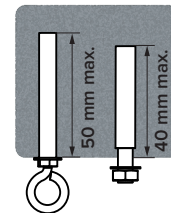
Montura universal



Montura de bajo perfil

Perfore cuatro agujeros $\text{\O} 8$ mm como se muestra a continuación. La profundidad de los agujeros no debe exceder los 40 mm. Quite el polvo de los agujeros. Inserte cuatro pernos de anclaje en los agujeros. Golpee las cabezas de los pernos con un martillo, verificando que las camisas para anclaje estén a ras con la superficie del techo.

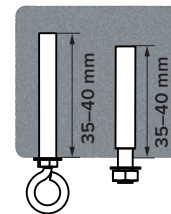
Ubique la placa de montaje sobre los pernos de anclaje. Verifique que los cuatro pernos estén totalmente ajustados para así expandir y trabar los anclajes. Si los códigos locales de construcción y seguridad lo requieren, instale un gancho de anclaje para el cable de seguridad. Perfore un agujero $\text{\O} 14$ mm para el gancho de anclaje como se muestra a continuación. La profundidad del agujero no debe exceder los 50 mm. Quite el polvo del agujero, inserte el gancho y ajuste firmemente.



Montura estándar

Perfore tres agujeros $\text{\O} 12$ – 12.5 mm como se muestra a continuación. La profundidad de los agujeros no debe exceder los 35–40 mm. Quite el polvo de los agujeros. Inserte tres pernos de anclaje en los agujeros. Golpee las cabezas de los pernos con un martillo, verificando que las camisas para anclaje estén a ras con la superficie del techo.

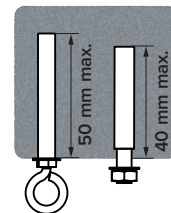
Ubique la placa de colgar sobre los pernos de anclaje. Verifique que los tres pernos estén totalmente ajustados para así expandir y trabar los anclajes. Si los códigos locales de construcción y seguridad lo requieren, instale un gancho de anclaje para el cable de seguridad. Perfore un agujero $\text{\O} 8$ – 8.5 mm para el gancho de anclaje adyacente a la placa de colgar. La profundidad de los agujeros no debe sobrepasar los 35–40 mm. Quite el polvo de los agujeros, inserte el gancho y ajuste firmemente.



Montura universal

Perfore tres agujeros $\text{\O} 6$ mm como se muestra a continuación. La profundidad de los agujeros no debe exceder los 40 mm. Quite el polvo de los agujeros. Inserte tres pernos de anclaje en los agujeros. Golpee las cabezas de los pernos con un martillo, verificando que las camisas para anclaje estén a ras con la superficie del techo.

Ubique el soporte de montaje sobre los pernos de anclaje. Verifique que los tres pernos estén totalmente ajustados para así expandir y trabar los anclajes. Si los códigos locales de construcción y seguridad lo requieren, instale un gancho de anclaje para el cable de seguridad. Perfore un agujero $\text{\O} 8$ mm para el gancho de anclaje. La profundidad del agujero no debe exceder los 50 mm. Quite el polvo del agujero, inserte el gancho y ajuste firmemente.



Cómo seleccionar un tubo de extensión (solo para montura universal)

Consulte las tablas siguientes para seleccionar el tubo de extensión apropiado para su ventilador.

Altura del techo

Para lograr un desempeño óptimo, Big Ass Fans recomienda utilizar las siguientes longitudes de tubo de extensión según la altura del techo.

Altura del techo	Longitud del tubo de extensión
9.5-11 ft (2.9-3.4 m)	20 in. (508 mm)
11-13 ft (3.4-4 m)	32 in. (813 mm)
13-14 ft * (4-4.3 m) *	48 in. * (1219 mm) *
>14 ft * (>4.3 m) *	60 in. * (1524 mm) *

* Big Ass Fans recomienda utilizar un tubo de extensión de mayor longitud para techos de más de 13 pies (4 m) de altura. En su versión estándar, el ventilador incluye tubos de extensión de 20 in. (508 mm) y 32 in. (813 mm). Para obtener otras longitudes, comuníquese con nuestro Servicio de Atención al Cliente.

Pendiente del techo

Los ventiladores Haiku con montura universal se pueden instalar en techos inclinados con un ángulo no mayor de 33°.

Diámetro del ventilador	Pendiente máxima del techo	Longitud del tubo de extensión
52 in. (1.3 m)	26°	20 in. (508 mm)
52 in. (1.3 m)	33°	32 in. (813 mm)
60 in. (1.5 m)	22°	20 in. (508 mm)
60 in. (1.5 m)	33°	32 in. (813 mm)
84 in. (2.1 m)	16°	20 in. (508 mm)
84 in. (2.1 m)	29°	32 in. (813 mm)

Control remoto Haiku

 **No exponga el control remoto a la lluvia ni al agua.**



Enciende o apaga el ventilador.



Programa el temporizador del ventilador hasta por ocho horas. Cada vez que se presiona, el temporizador agrega una hora.



Enciende o apaga la luz.



Borra el temporizador activo del ventilador.



Aumenta la velocidad del ventilador o la intensidad de la luz.



Varía la velocidad del ventilador para simular una brisa natural.

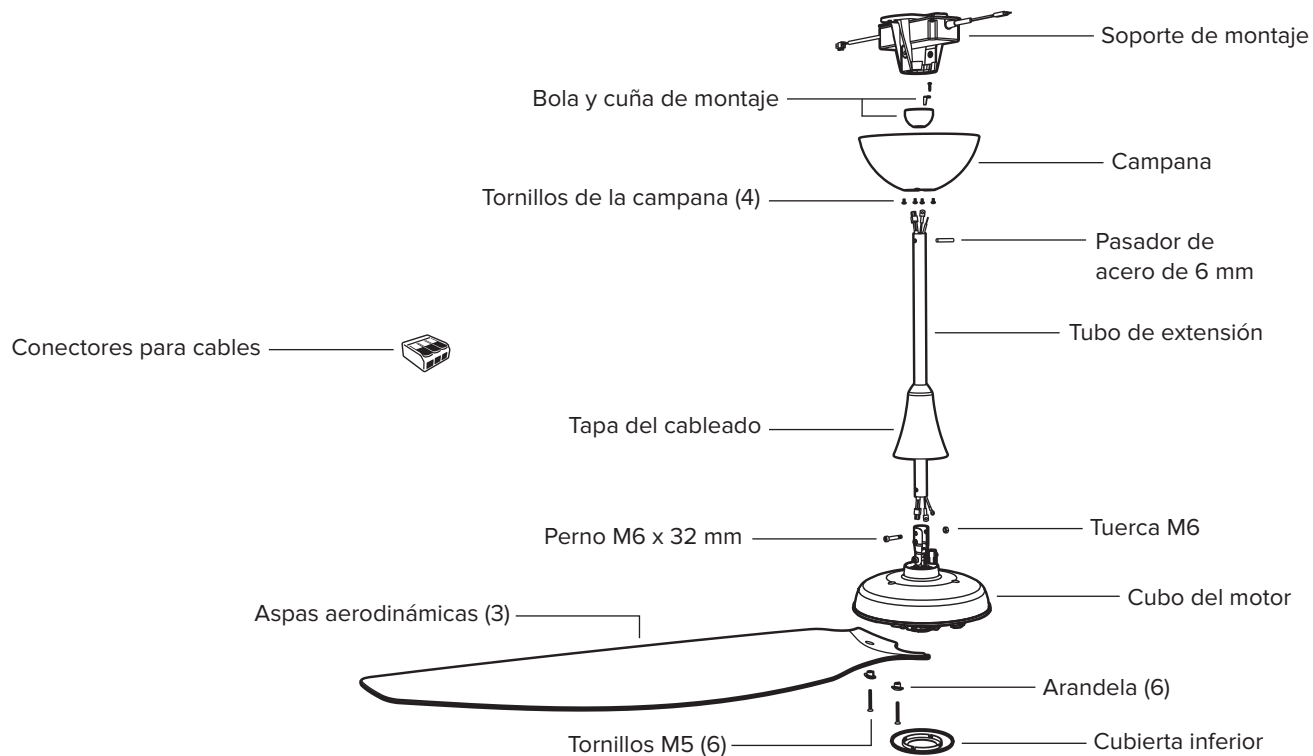


Disminuye la velocidad del ventilador o la intensidad de la luz.



Regula automáticamente la velocidad del ventilador durante la noche para mantener el confort mientras duerme.

MONTURA UNIVERSAL



No se muestra el cable de seguridad.

Si se incluye el filtro de interferencia electromagnética (filtro EMI), instálelo junto con el ventilador.

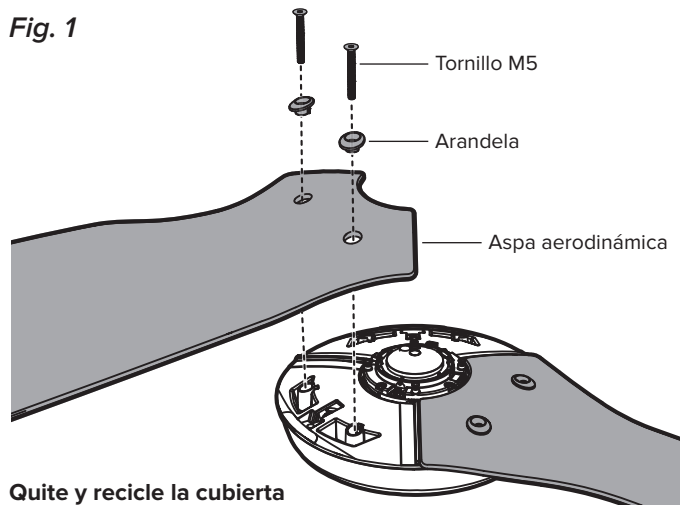
1 Instalar las aspas aerodinámicas



Si compró el kit de la luz para el ventilador, continúe con las instrucciones incluidas con el kit y luego regrese a estas instrucciones.

Moviéndose en el sentido de las manecillas del reloj, alinee cada aspa aerodinámica en el cubo del ventilador y asegúrelas con los accesorios de las aspas (Fig. 1). **Verifique que el color de la etiqueta de cada aspa aerodinámica coincida con el color de la etiqueta correspondiente en el cubo del ventilador.**

Fig. 1

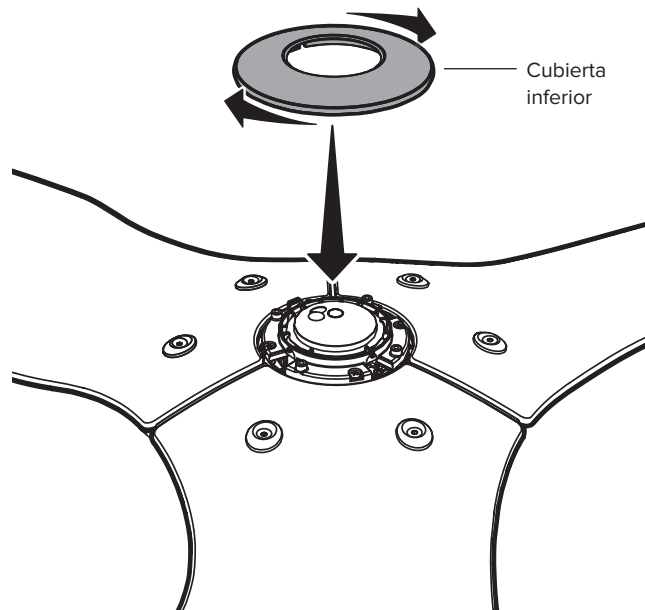


Quite y recicle la cubierta protectora de plástico.

2 Instalar la cubierta inferior

Coloque la cubierta inferior tal como se ilustra (Fig. 2).

Fig. 2



3 Colocar el tubo de extensión y el arnés del cableado

Alinee los agujeros del tubo de extensión con los agujeros del soporte del motor y luego asegure el tubo usando el perno M6 x 32 mm y la tuerca M6 (Fig. 3.1).

Conecte el arnés de cables del tubo de extensión al receptáculo del cubo del motor (Fig. 3.2).

Fig. 3.1

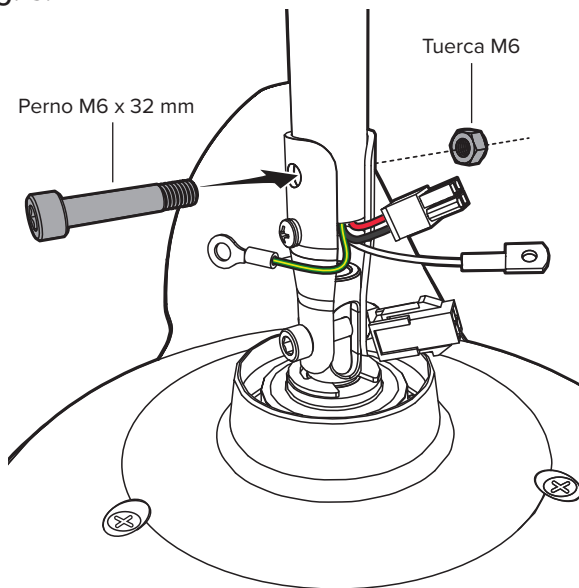
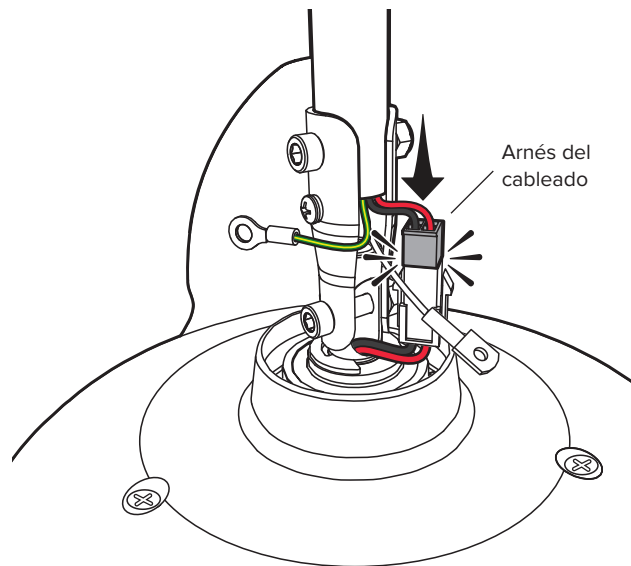


Fig. 3.2



4 Instalar el cable de seguridad inferior y el cable de tierra

Instale los terminales del cable de seguridad y del cable a tierra con el tornillo sin pintar y la arandela de seguridad (Fig. 4.1).

Verifique que todos los accesorios estén bien asegurados y luego tire suavemente de los cables en la parte superior del tubo de extensión para reducir la holgura (Fig. 4.2).

Deslice la tapa del cableado hacia abajo por el tubo de extensión y apóyela sobre el cubo del ventilador. Verifique que no haya ningún cable visible entre la tapa y el cubo del ventilador. Deslice la campana hacia abajo por el tubo de extensión (Fig. 4.3).

Fig. 4.1

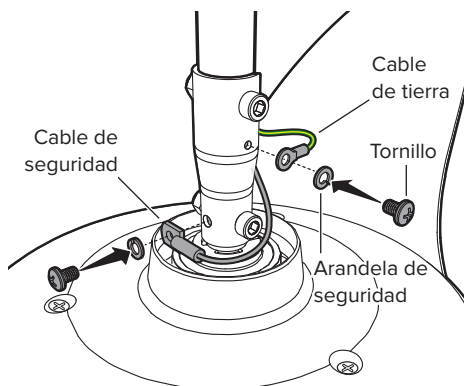


Fig. 4.2

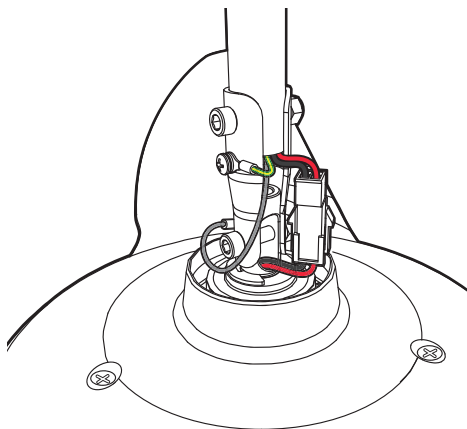
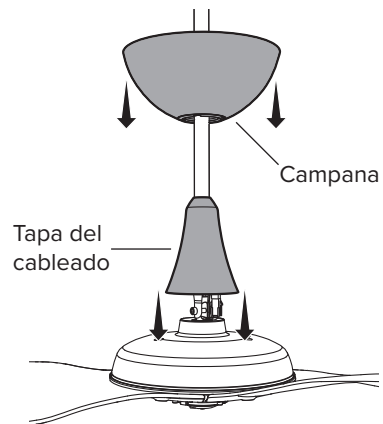


Fig. 4.3



5 Instalar la bola de montaje

Deslice la bola de montaje por el tubo de extensión (*Fig. 5.1*).

Inserte el pasador de acero de 6 mm en el agujero que se encuentra en la parte superior del tubo de extensión y luego deslice la bola de montaje hacia arriba hasta fijar el perno de acero en las ranuras interiores (*Fig. 5.2*).

Inserte la cuña en la bola de montaje y asegúrela con el tornillo. Ajuste el tornillo lo suficiente como para evitar el movimiento entre la bola de montaje y el tubo de extensión, pero no lo ajuste demasiado (*Fig. 5.3*).

Fig. 5.1

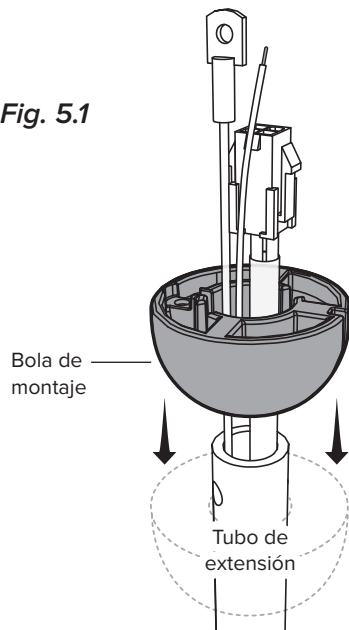


Fig. 5.2

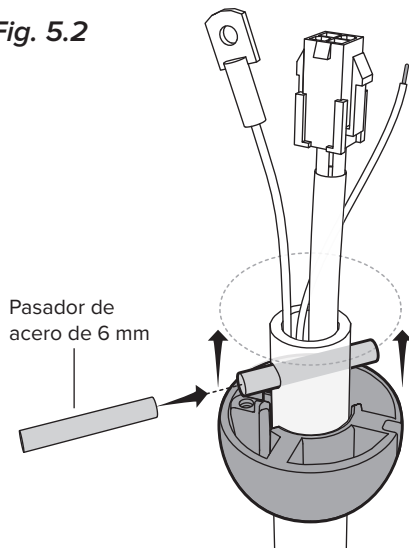
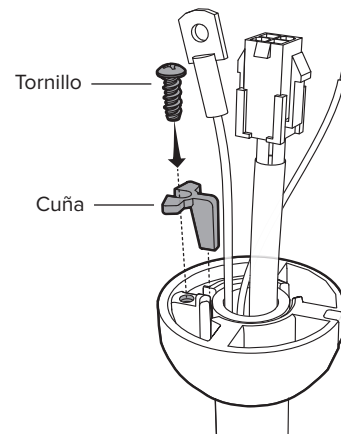


Fig. 5.3



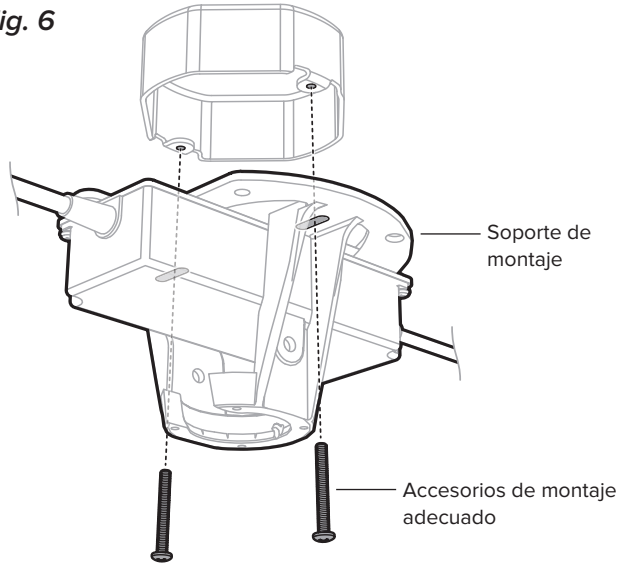
6 Instalar el soporte de montaje

⚠ ¡Desconecte la alimentación eléctrica antes de instalar el soporte de montaje!

Asegure el soporte de montaje a la estructura de montaje usando accesorios de montaje adecuado (Fig. 6).

Caja de distribución que se muestra. La estructura de montaje puede diferir de la ilustración.

Fig. 6

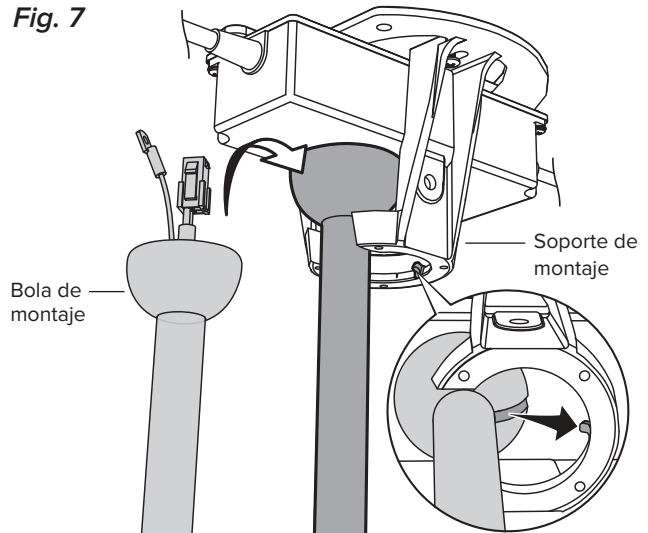


7 Colgar el ventilador

Suba el ventilador hasta el soporte de montaje. Alinee la pestaña del soporte de montaje con la ranura de la bola de montaje, ubique la bola de montaje y permita que el ventilador cuelgue libremente (Fig. 7).

Gire cuidadosamente el tubo de extensión para verificar que esté bien asentado y que no se moverá durante el funcionamiento del ventilador.

Fig. 7



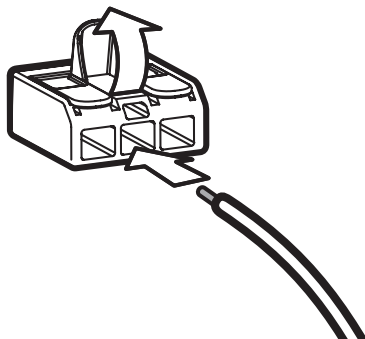
8 Cablear el ventilador

- ⚠ ¡Desconecte la alimentación eléctrica antes de cablear el ventilador!
- ⚠ ¡Nunca conecte el ventilador a una fuente de alimentación dañada! No intente reparar desperfectos eléctricos por su cuenta. Si tiene alguna duda sobre la instalación eléctrica de este ventilador, consulte a un electricista calificado.

Conecte los cables del ventilador como se muestra en el diagrama usando los conectores para cables (Fig. 8). Si en el embalaje del ventilador recibió un filtro EMI, instálelo tal como se ilustra.

Conecte el cable de tierra color verde a la montura usando el tornillo sin pintar. Conecte el arnés de cables de la fuente de alimentación al arnés de cables del tubo de extensión, verificando que el cableado y el cable de seguridad tengan la misma dirección.

Fig. 8



	América del Norte 100–120 V	Todas las demás regiones
Vivo CA/L1 Marrón	Negro	Marrón
Neutro CA/ L2 Azul	Blanco	Azul
Tierra de protección/Tierra Verde con amarillo	Verde o cobre desnudo	Verde con amarillo

Diagrama de cableado (Sin filtro EMI)

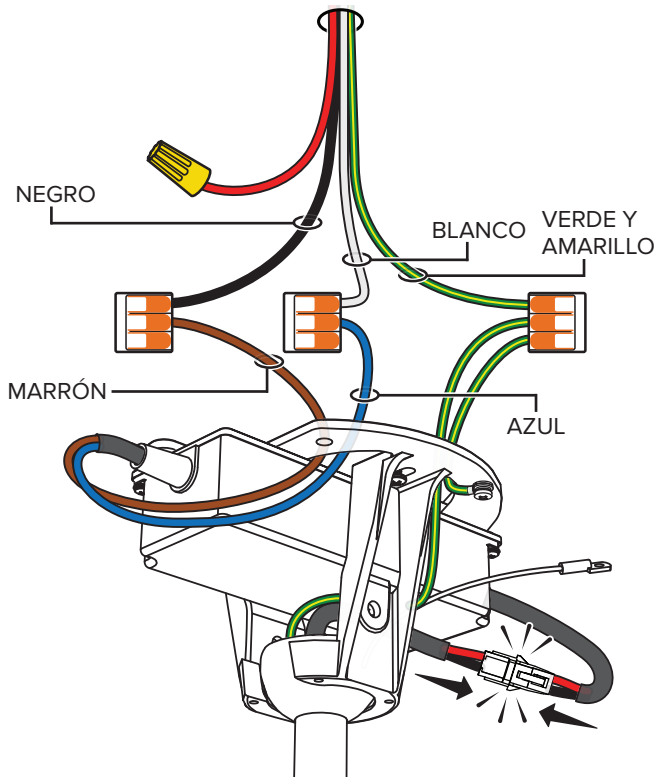
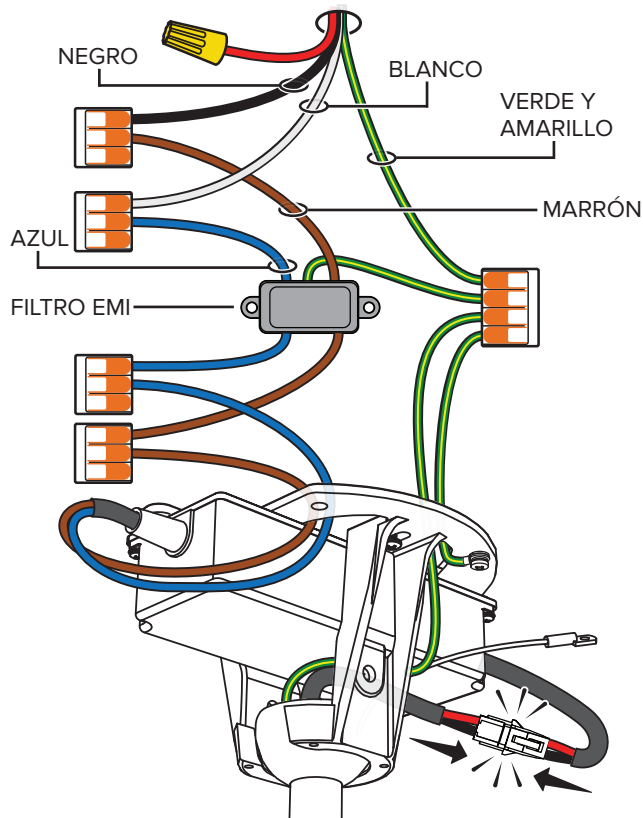


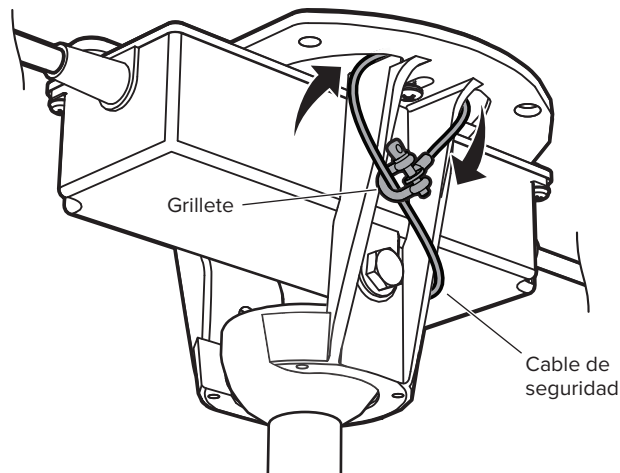
Diagrama de cableado (Con filtro EMI)



9 Asegurar el cable de seguridad

Haga pasar el cable de seguridad alrededor del soporte de montaje o la estructura del edificio y luego asegúrelo con el grillete (Fig. 9).

Fig. 9



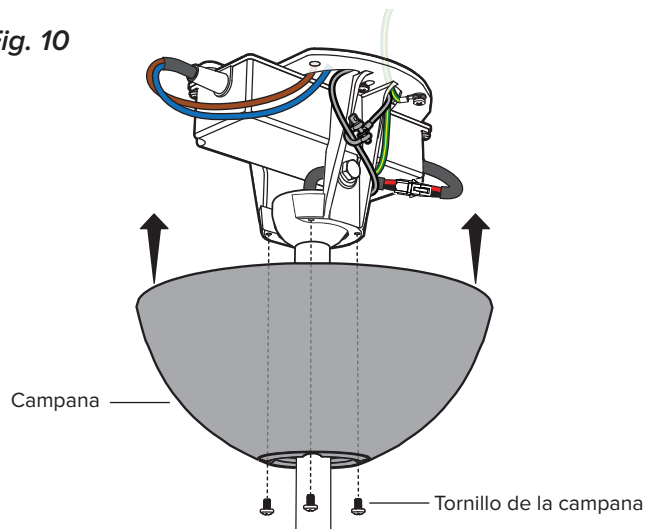
Canadá: El cable de seguridad debe asegurarse directamente a una parte existente de la estructura del edificio. Puede ser necesario instalar materiales estructurales adicionales para proveer puntos de fijación adecuados.



10 Subir la campana

Suba la campana hasta el soporte de montaje, alineando los cuatro agujeros de la campana con los agujeros del soporte. Asegure la campana al soporte de montaje con los tornillos pintados (Fig. 10). Verifique que todos los cables, incluido el cable de seguridad, estén dentro de la campana.

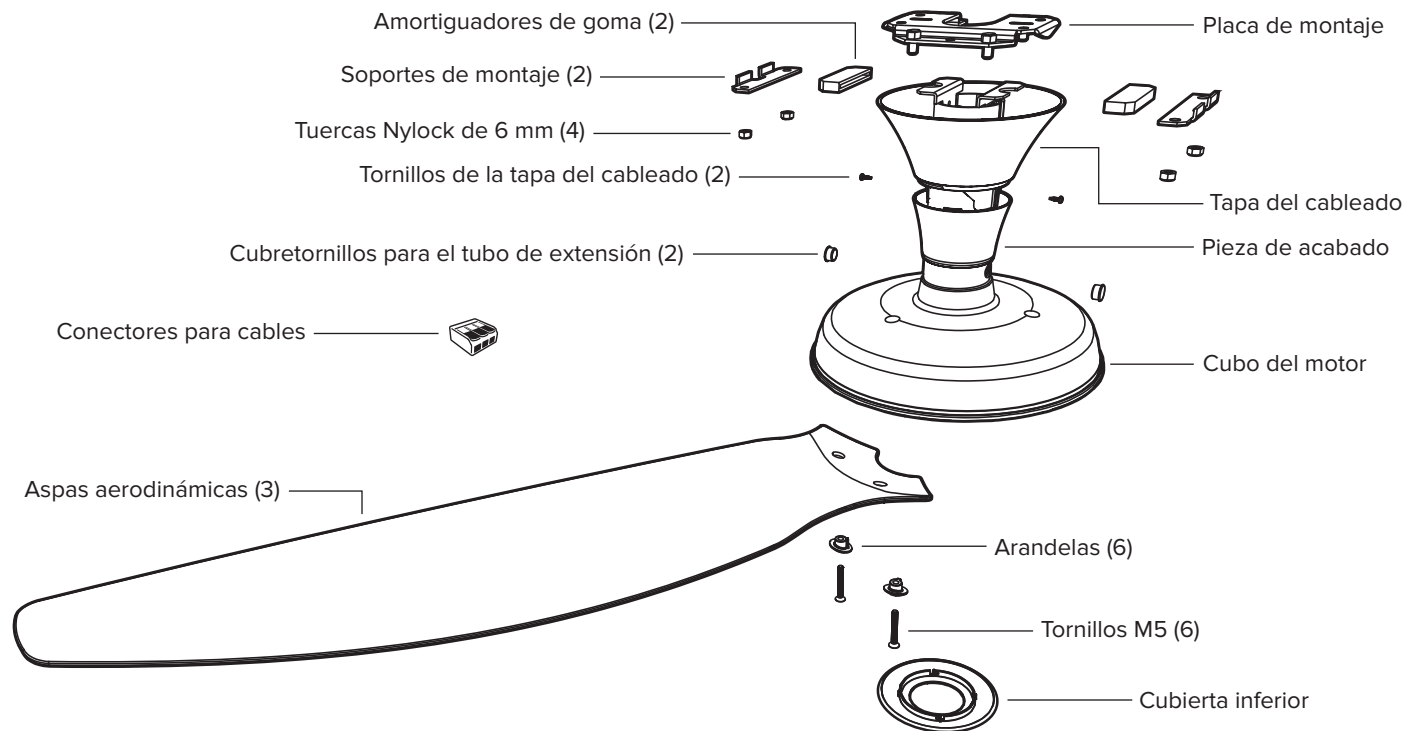
Fig. 10



¡Felicitaciones!

Ha terminado la instalación. Pruebe el ventilador usando el control remoto.

MONTURA DE BAJO PERFIL



Para el tubo de extensión, utilice los cubretornillos que coincidan con el color de su ventilador.
No se muestra el cable de seguridad.

1 Instalar la placa de montaje y un soporte

Coloque los amortiguadores de goma en los soportes del tubo de extensión (Fig. 1.1).

Asegure el soporte de montaje a la estructura de montaje usando accesorios de montaje adecuado (Fig. 1.2). **La estructura de montaje puede diferir de la ilustración.**

Asegure un soporte de montaje a la placa de montaje usando dos tuercas Nylock de 6 mm, pero no las ajuste totalmente (Fig. 1.3).

Fig. 1.1

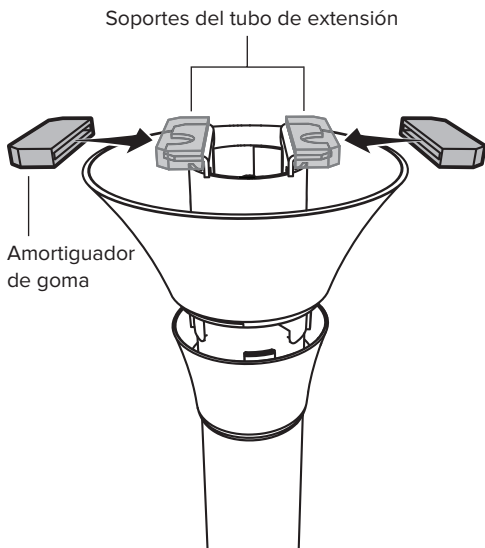
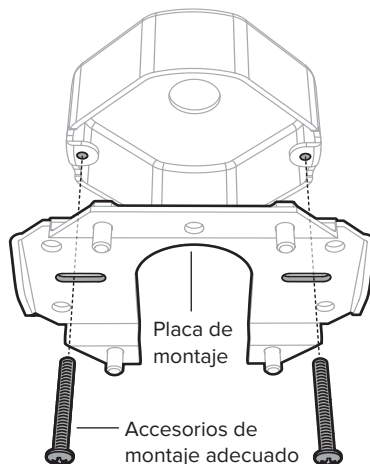
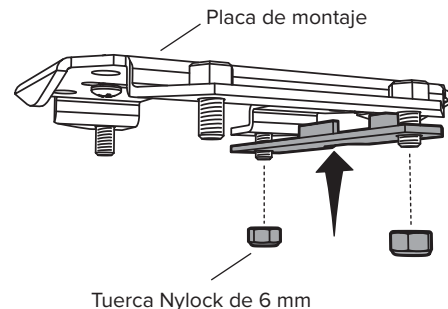


Fig. 1.2



*Caja de distribución que se muestra.
La estructura de montaje puede diferir de la ilustración.*

Fig. 1.3



2 Asegurar el cable de seguridad

Suba el ventilador hasta el soporte y apoye temporalmente un amortiguador de goma en el espacio entre el soporte y la placa (Fig. 2.1). Mientras sostiene el ventilador, haga pasar el cable de seguridad alrededor de la placa de montaje o la estructura del edificio y luego asegúrela con el grillete (Fig. 2.2).

Fig. 2.1

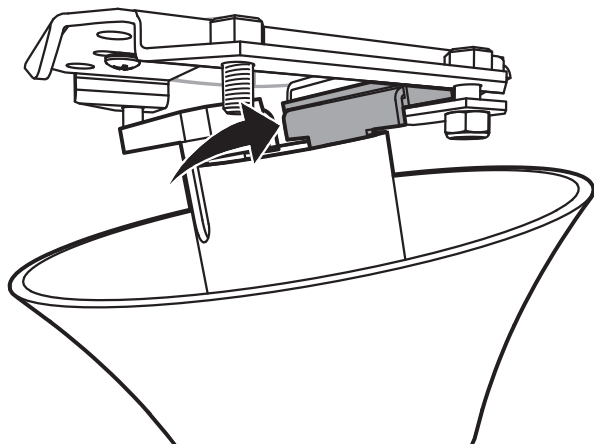
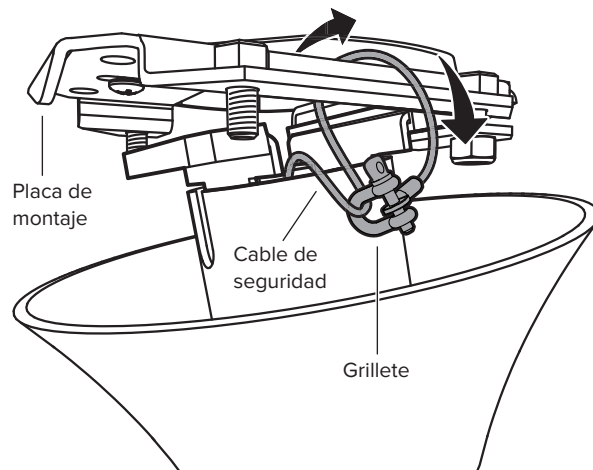


Fig. 2.2



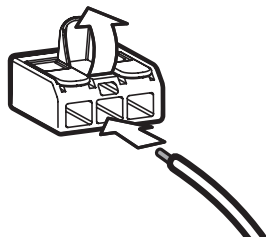
Canadá: El cable de seguridad debe asegurarse directamente a una parte existente de la estructura del edificio. Puede ser necesario instalar materiales estructurales adicionales para proveer puntos de fijación adecuados.

3 Cablear el ventilador

- ⚠ ¡Desconecte la alimentación eléctrica antes de cablear el ventilador!
- ⚠ ¡Nunca conecte el ventilador a una fuente de alimentación dañada! No intente reparar desperfectos eléctricos por su cuenta. Si tiene alguna duda sobre la instalación eléctrica de este ventilador, consulte a un electricista calificado.

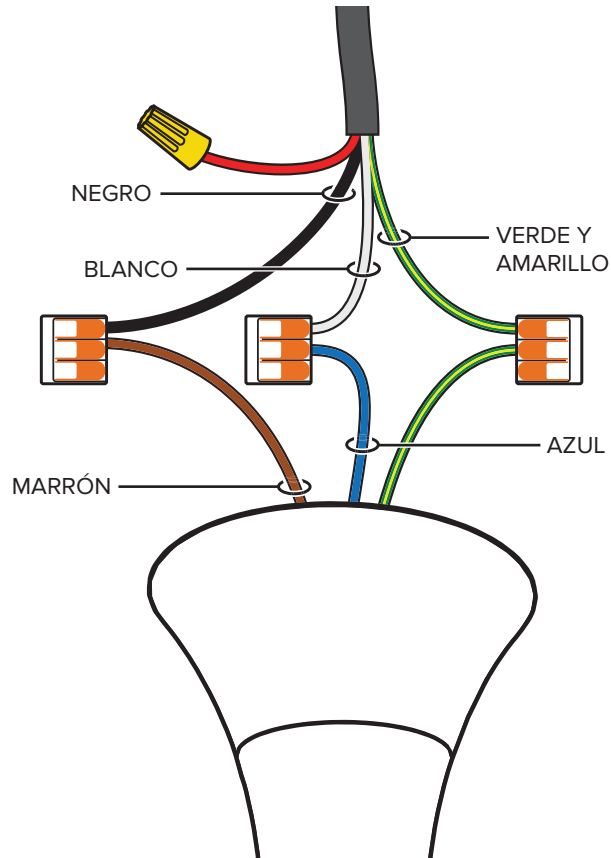
Permita que el ventilador cuelgue del cable de seguridad. Conecte los cables del ventilador como se muestra en el diagrama usando los conectores para cables (Fig. 3).

Fig. 3



	América del Norte 100–120 V	Todas las demás regiones
Vivo CA/L1 Marrón	Negro	Marrón
Neutro CA/ L2 Azul	Blanco	Azul
Tierra de protección/Tierra Verde con amarillo	Verde o cobre desnudo	Verde con amarillo

Diagrama de cableado



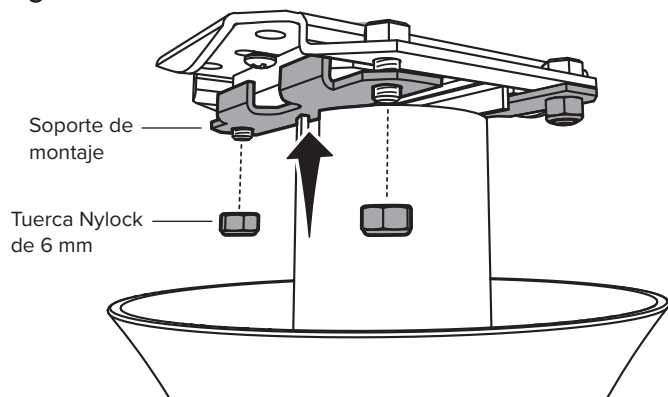
4 Instalar los soportes de montaje

Levante el ventilador hasta la montura. Inserte un amortiguador de goma entre la placa de montaje y el soporte de montaje que todavía no ha ajustado totalmente con las tuercas Nylock de 6 mm.

Asegure el otro amortiguador con el soporte de montaje y las tuercas restantes (Fig. 4).

Ajuste todos los accesorios.

Fig. 4

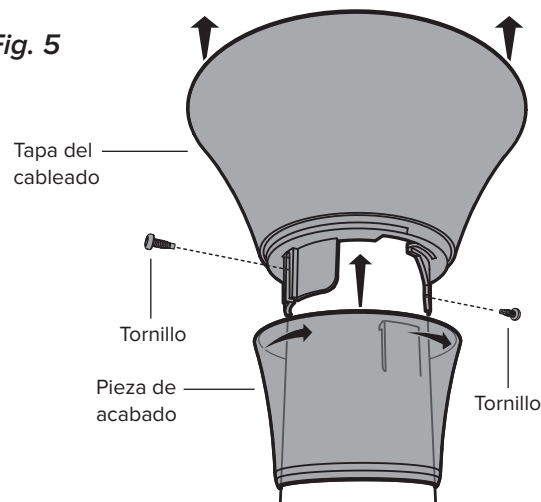


5 Instalar la tapa del cableado

Suba la tapa del cableado hasta dejar un espacio de aproximadamente 1/8 in. (3 mm) entre la misma y el techo. Alinee las ranuras de montaje con los agujeros de los tornillos en el tubo de extensión y asegure la tapa del cableado con los tornillos de la tapa.

Deslice la pieza de acabado hacia arriba por el tubo de extensión, alineando las pestañas del lado interior con las ranuras en la parte inferior de la tapa del cableado. Gire en el sentido de las manecillas del reloj hasta asegurar la pieza de acabado en su sitio (Fig. 5).

Fig. 5



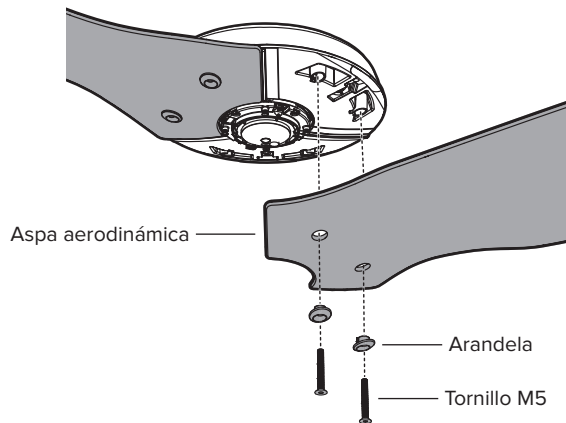
6 Instale las aspas aerodinámicas



Si compró el kit de la luz para el ventilador, continúe con las instrucciones incluidas con el kit y luego regrese a estas instrucciones.

Moviéndose en el sentido de las manecillas del reloj, alinee cada aspa aerodinámica en el cubo del ventilador y asegúrelas con los accesorios de las aspas (Fig. 6). **Verifique que el color de la etiqueta de cada aspa aerodinámica coincida con el color de la etiqueta correspondiente en el cubo del ventilador.**

Fig. 6

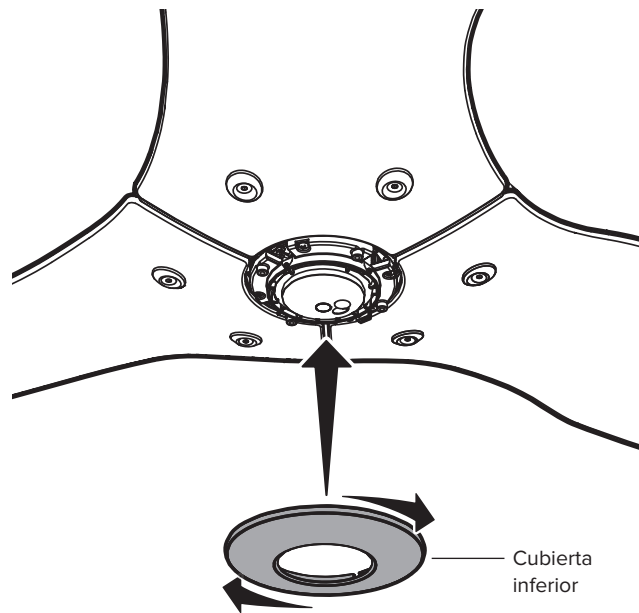


Quite y recicle la cubierta protectora de plástico.

7 Instalar la cubierta inferior

Coloque la cubierta inferior tal como se ilustra (Fig. 7).

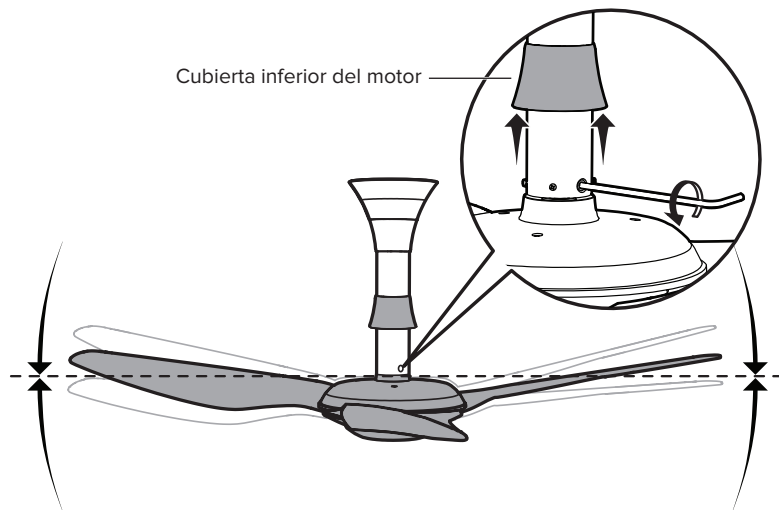
Fig. 7



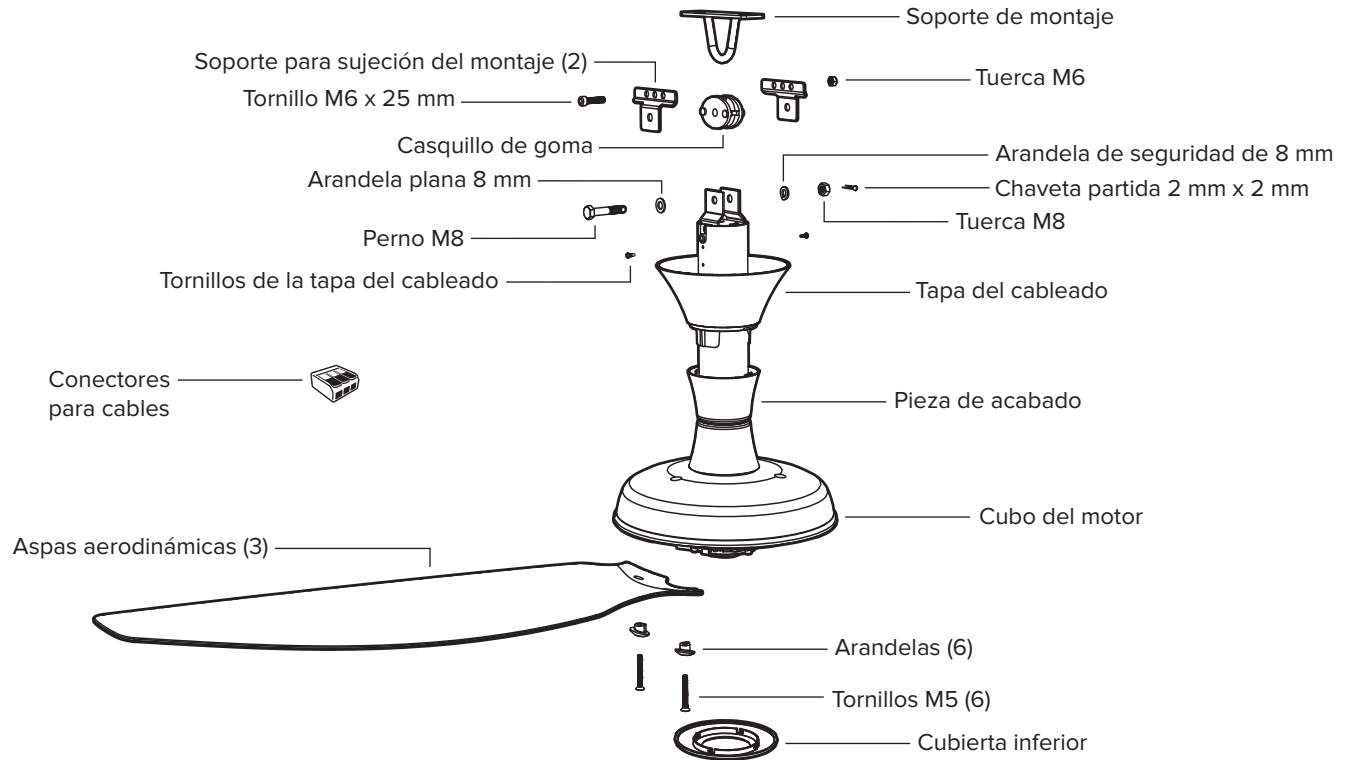
¡Felicitaciones!

Ha terminado la instalación. Pruebe el ventilador usando el control remoto.

- ★ Si su ventilador parece estar algo inclinado, levante la pieza de acabado de la cubierta inferior del motor y ubique el perno de pivote. Afloje este perno con una llave hexagonal de 5 mm para permitir que el ventilador cuelgue libremente y luego vuelva a ajustarlo.



MONTURA ESTÁNDAR



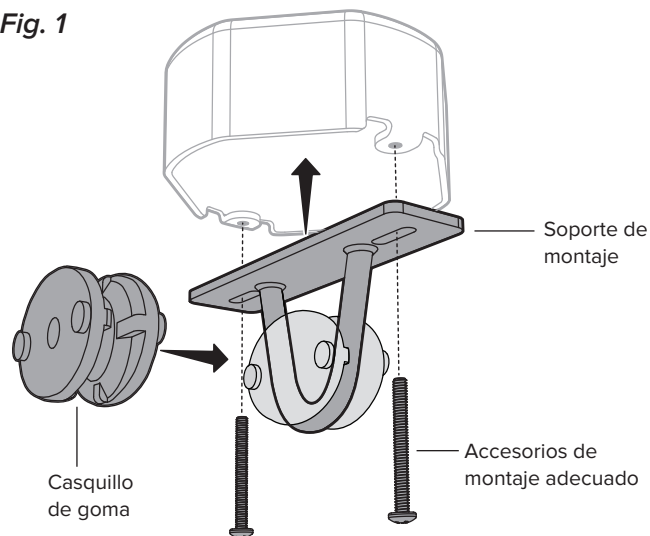
Para el tubo de extensión, utilice los cubretornillos que coincidan con el color de su ventilador.
No se muestra el cable de seguridad.

1 Instalar el soporte de montaje

Coloque el casquillo de goma en el soporte de montaje (Fig. 1).

Asegure el soporte de montaje a la estructura de montaje usando accesorios de montaje adecuado (Fig. 1). **La estructura de montaje puede diferir de la ilustración.**

Fig. 1

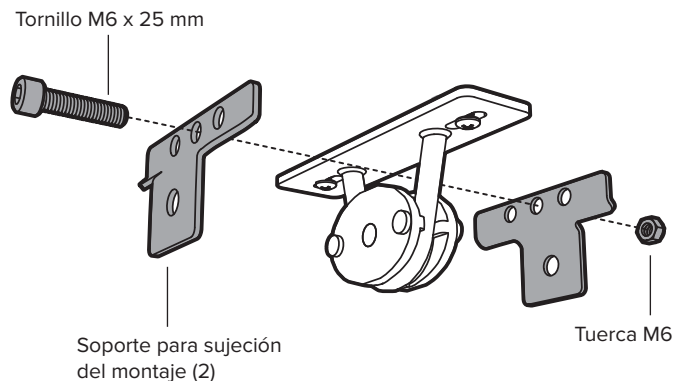


Caja de distribución que se muestra. La estructura de montaje puede diferir de la ilustración.

2 Asegurar los soportes para sujeción del montaje

Instale los soportes del sujetador para montaje usando los accesorios provistos, pero no los apriete demasiado (Fig. 2). El perno se debe insertar en el agujero del medio. No ajuste totalmente los accesorios.

Fig. 2



3 Colgar el ventilador

Levante el tubo de extensión hasta la montura e inserte los soportes del tubo entre los soportes de montaje y el casquillo de goma de manera que los agujeros de montaje estén alineados. Asegure el tubo de extensión con los accesorios de montaje (Fig. 3).


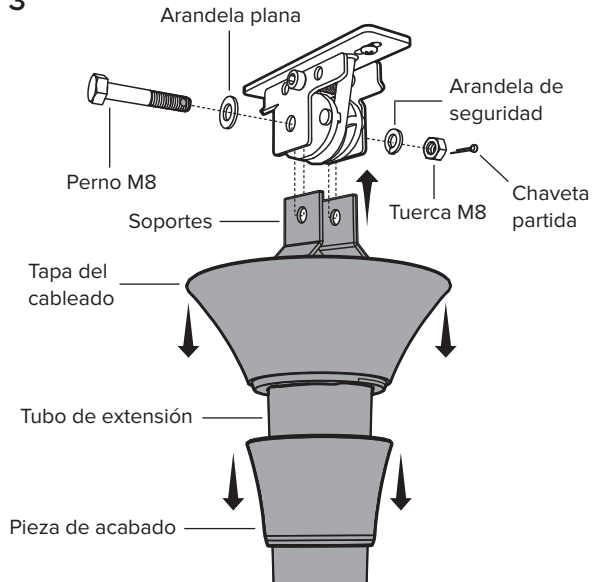
 *Apriete bien todos los accesorios hasta que los soportes compriman levemente el casquillo de goma.*

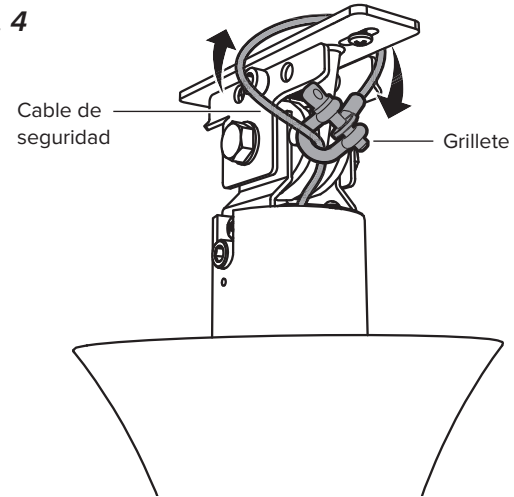
Fig. 3



4 Asegurar el cable de seguridad

Mientras sostiene el ventilador, haga pasar el cable de seguridad alrededor del soporte de montaje o la estructura del edificio y luego asegúrelo con el grillete (Fig. 4).

Fig. 4



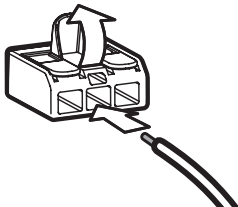
Canadá: El cable de seguridad debe asegurarse directamente a una parte existente de la estructura del edificio. Puede ser necesario instalar materiales estructurales adicionales para proveer puntos de fijación adecuados.

5 Cablear el ventilador

- ⚠ ¡Desconecte la alimentación eléctrica antes de cablear el ventilador!
- ⚠ ¡Nunca conecte el ventilador a una fuente de alimentación dañada! No intente reparar desperfectos eléctricos por su cuenta. Si tiene alguna duda sobre la instalación eléctrica de este ventilador, consulte a un electricista calificado.

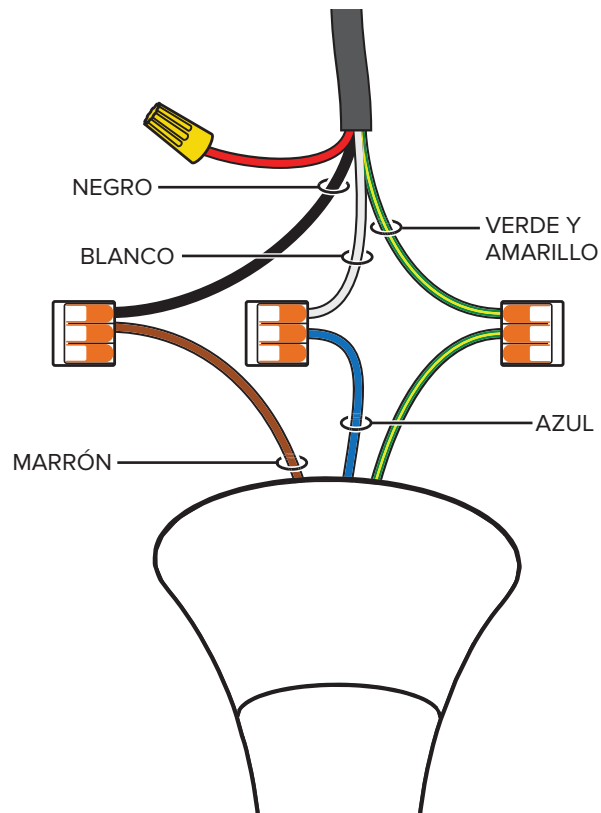
Conecte los cables del ventilador como se muestra en el diagrama usando los conectores para cables (Fig. 5).

Fig. 5



	América del Norte 100–120 V	Todas las demás regiones
Vivo CA/L1 Marrón	Negro	Marrón
Neutro CA/ L2 Azul	Blanco	Azul
Tierra de protección/Tierra Verde con amarillo	Verde o cobre desnudo	Verde con amarillo

Diagrama de cableado

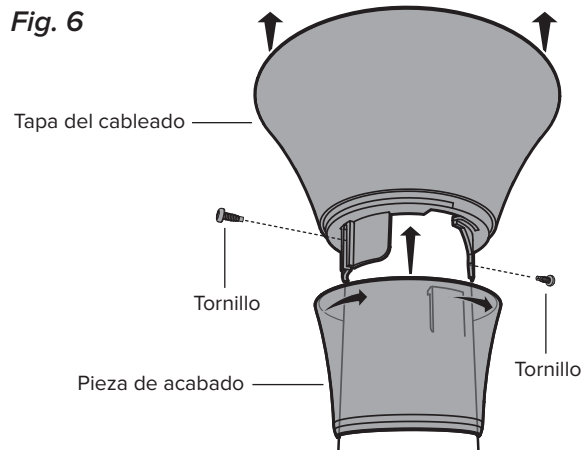


6 Instalar la tapa del cableado y la pieza de acabado

Suba la tapa del cableado hasta dejar un espacio de aproximadamente 1/8 in. (3 mm) entre la misma y el techo. Alinee las ranuras de montaje con los agujeros de los tornillos en el tubo de extensión y asegure la tapa del cableado con los tornillos de la tapa.

Deslice la pieza de acabado hacia arriba por el tubo de extensión, alineando las pestañas del lado interior con las ranuras en la parte inferior de la tapa del cableado. Gire en el sentido de las manecillas del reloj hasta asegurar la pieza de acabado en su sitio (Fig. 6).

Fig. 6



7 Instalar las aspas aerodinámicas

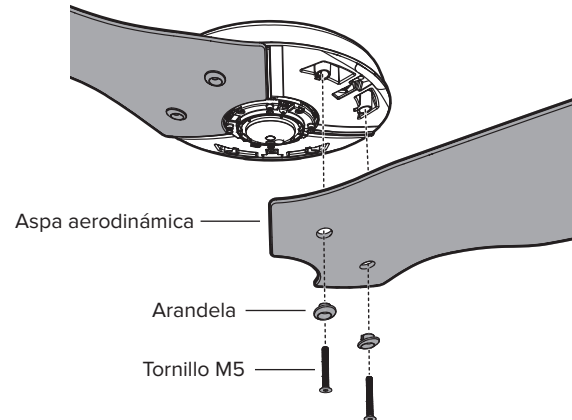


Si compró el kit de la luz para el ventilador, continúe con las instrucciones incluidas con el kit y luego regrese a estas instrucciones.

Quite y recicle la cubierta protectora de plástico.

Moviéndose en el sentido de las manecillas del reloj, alinee cada aspa aerodinámica en el cubo del ventilador y asegúrelas con los accesorios de las aspas (Fig. 7). **Verifique que el color de la etiqueta de cada aspa aerodinámica coincida con el color de la etiqueta correspondiente en el cubo del ventilador.**

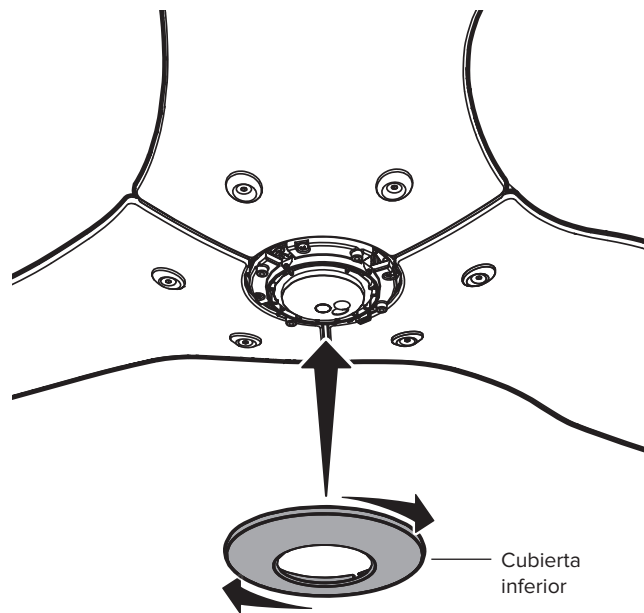
Fig. 7



8 Instalar la cubierta inferior

Coloque la cubierta inferior tal como se ilustra (Fig. 8).

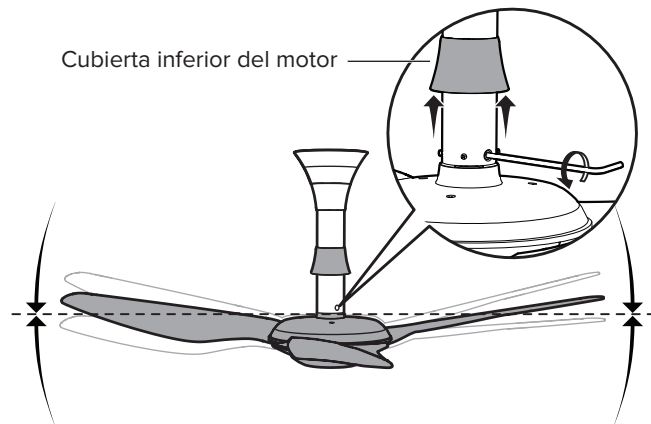
Fig. 8



¡Felicitaciones!

Ha terminado la instalación. Pruebe el ventilador usando el control remoto.

- ★ Si su ventilador parece estar algo inclinado, levante la pieza de acabado de la cubierta inferior del motor y ubique el perno de pivote. Afloje este perno con una llave hexagonal de 5 mm para permitir que el ventilador cuelgue libremente y luego vuelva a ajustarlo.



RESOLUCIÓN DE PROBLEMAS

 En ocasiones, puede que el ventilador se sacuda hacia adelante y hacia atrás en el arranque. Esto es normal y no afecta su funcionamiento.

Antes de comunicarse con el Servicio de Atención al Cliente, intente resolver el problema con los siguientes pasos. Para obtener más información sobre el funcionamiento, mantenimiento y resolución de problemas, visite haikuhome.com

Problema	Solución
El ventilador no enciende.	<ul style="list-style-type: none">• Verifique que el ventilador esté recibiendo energía.• Revise el disyuntor o fusible y el interruptor de pared para verificar que funcionen.• Verifique que el ventilador esté correctamente cableado y conectado a tierra.• Verifique que se haya retirado el plástico protector de la bandeja de baterías del control remoto.
El ventilador se tambalea.	Quite las aspas aerodinámicas y verifique que la etiqueta con un punto de color de cada aspa coincida con la etiqueta correspondiente en el cubo del motor. Si las etiquetas no coinciden, mueva las aspas a los puntos de fijación correspondientes.
El ventilador parece estar inclinado. <i>(Solo monturas de bajo perfil y estándares)</i>	Levante la pieza de acabado de la cubierta inferior del motor y ubique el perno de pivote. Afloje este perno con una llave hexagonal de 5 mm para permitir que el ventilador cuelgue libremente y luego vuelva a ajustarlo.
El ventilador hace demasiado ruido.	Detenga completamente el ventilador. <ul style="list-style-type: none">• Haga girar suavemente las aspas aerodinámicas (a mano) y verifique que ninguna parte del ventilador roce contra el cubo del motor mientras está girando.• Revise todos los accesorios de instalación y elementos de fijación del ventilador. Ajústelos si es necesario.
Debo reiniciar el ventilador.	Presione el botón de encendido hasta que los indicadores LED comiencen a destellar. Una vez que los LED hayan destellado durante tres segundos, presione nuevamente el botón de encendido. Cuando los LED dejan de destellar, significa que el ventilador se ha reiniciado.

United States

2348 Innovation Drive
Lexington, KY 40511
haikuhome.com
+1 855 694 2458

Canada

6300 Northwest Dr, Unit 3
Mississauga, ON L4V 1J7, Canada
haikuhome.com
+1 844 424 5848

Australia

35 French Street
Eagle Farm, Brisbane, QLD 4009
haikuhome.com/au
+61 1300 244 277

Southeast Asia

2348 Innovation Drive
Lexington, KY 40511
haikuhome.com/sg
Singapore: +65 6709 8503
Malaysia: +603 5565 0888 x2

Mexico

CEBSA (Corporación Eléctrica del
Bravo SA de CV)
Avenida Ind. Rio San Juan
Lote 3-A Parque Industrial del Norte
Reynosa, Tamps C.P. 88736
<http://cebsainc.com/>
+52 1 899 925 6398

All Other Geographies

2348 Innovation Drive
Lexington, KY 40511
haikuhome.com
+1 859 233 1271

Models:

S3127-A2, S3127-A2-XX-XX-02-C, S3127-A2-XX-XX-03-C, S3127-S0, S3127-S0-XX-XX-02-C, S3127-S0-XX-XX-03-C, S3127-X2, S3127-X2-XX-XX-02-C, S3127-X2-XX-XX-03-C, S3150-A2, S3150-A2-XX-XX-02-C, S3150-A2-XX-XX-03-C, S3150-S0, S3150-S0-XX-XX-02-C, S3150-S0-XX-XX-03-C, S3150-X2, S3150-X2-XX-XX-02-C, S3150-X2-XX-XX-03-C, B3213-X4

© 2018 Big Ass Fans

*The information contained in this document is subject to change without notice. May be protected by one or more patents listed at www.bigassfans.com/patents
Haiku is a trademark of Delta T LLC, registered in the U.S. and/or other countries.
For warranty information, visit haikuhome.com*



HKU-INST-201-MUL-01