

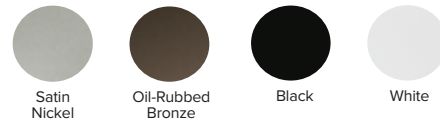
Specially engineered for wet locations, Haiku outdoor fans keep your porch, patio, or pool deck feeling cool and breezy, rain or shine.

THE CEILING FAN, REINVENTED

- **Airfoils** — Aircraft-grade aluminum; 52 in., 60 in., or 84 in. (1.3 m, 1.5 m, or 2.1 m) fan sweep.
- **Motor** — High-efficiency, brushless DC motor with digital inverter drive.
- **Controls** — Intuitive handheld remote control with seven distinct speeds, plus Sleep, Timer, and Whoosh® modes, or 0–10 V module (optional).
- **Mounting** — Flat or sloped ceilings (<33°) 8 ft (2.4 m) and taller.
- **Environment** — Outdoor use; IPX2.
- **Ambient Operational Temperature** — 32° to 104° F (0° to 40° C)
- **Stainless Steel Components** — Protect against moisture.
- **Operating Voltage** — 100–240 VAC, 1 Φ, 50–60 Hz
- **Sound Level** — <35 dba at max speed¹.
- **Accessories** — Haiku Light Kit². Optional extension tube lengths and a Stabilizer Kit are available for ceilings over 14 ft (4.3 m).
- **Warranty** — Visit the Haiku website for details.



Hardware Finishes



Airfoil Finishes



ORDERING INFORMATION

DIAMETER	MOUNT	MOTOR	COUNTRY	POWER	MOTOR FINISH	AIRFOIL FINISH
52: FR127A 60: FR150A 84: FR213A	Low Profile: S0 Standard: A2 Universal: U0	52 in: F1 60 in: F1 84 in: G1	North America: 0-3H03 Europe: 1-3H03	52 in. Low Profile: 00 Standard: 02 Universal: 02 60 in. Low Profile: 00 Standard: 02 Universal: 02 84 in. Universal: 04	Black: 258 White: 259 Satin Nickel: 470 Oil-Rubbed Bronze: 471	Caramel: 504P010 Cocoa: 654P010 Black: 258P010 White: 259P010 Brushed Aluminum: 531P010 Satin Nickel: 470P010 Oil-Rubbed Bronze: 471P010

¹ Actual results of sound measurements in the field may vary due to sound reflective surfaces and environmental conditions.
² Covered outdoor use only. Not suitable for salt air environments.

Lead times may vary.
 Specifications subject to change without notice.



USA
 HAIKUHOME.COM
 855-694-2458

CANADA
 HAIKUHOME.COM/CA
 844-924-4277

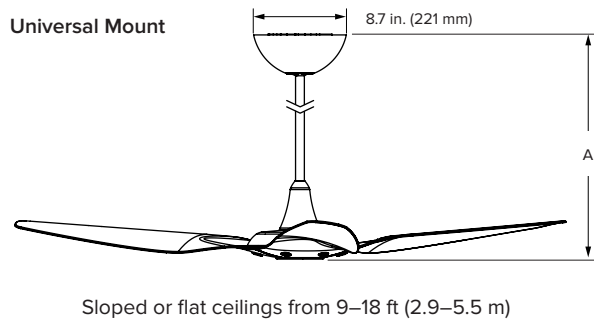
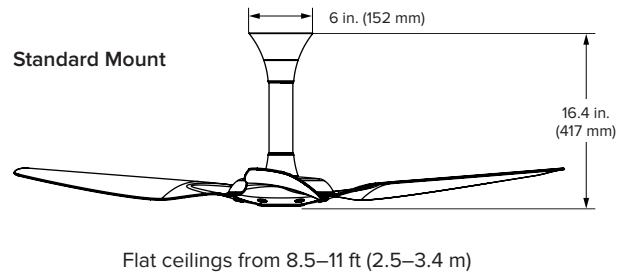
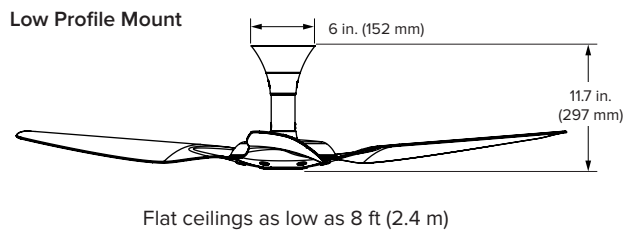
AUSTRALIA
 HAIKUHOME.COM/AU
 1-300-244-277

SINGAPORE
 HAIKUHOME.COM/SG
 +65 6709 8500

TECHNICAL SPECIFICATIONS

DIAMETER	MOUNT	WEIGHT ³	MAX SPEED	AIRFLOW MIN/MAX	WATTS MIN/MAX
52 in. (127 cm)	Low Profile	16.5 lb (7.5 kg)	179 RPM	1,161/4,565 cfm	2.2/15.4 W
	Standard	16.5 lb (7.5 kg)	200 RPM	1,283/6,207 cfm	2.3/21.7 W
	Universal	15.5 lb (7 kg)	200 RPM	1,283/6,207 cfm	2.3/21.7 W
60 in. (150 cm)	Low Profile	18.5 lb (8.4 kg)	177 RPM	1,107/7,957 cfm	1.6/31.4 W
	Standard	18.5 lb (8.4 kg)	200 RPM	1,099/8,534 cfm	2.8/30.5 W
	Universal	17.5 lb (8 kg)	200 RPM	1,099/8,534 cfm	2.8/30.5 W
84 in. (213 cm)	Universal	26 lb (11.8 kg)	135 RPM	5,672/17,546 cfm	3.7/56.1 W

DIMENSIONS AND MOUNTS



Extension Tube	Universal Mount Extension Tube Lengths			
	Included		Optional *	
	20 in. (508 mm)	32 in. (813 mm)	48 in. (1219 mm)	60 in. (1524 mm)
Fan Height (A) **	29 in. (737 mm)	41 in. (1041 mm)	57 in. (1448 mm)	69 in. (1753 mm)
Ceiling Height	9.5–11 ft (2.9–3.4 m)	11–13 ft (3.4–4 m)	13–14 ft (4–4.3 m)	>14 ft (>4.3 m)

* Optional extension tube lengths packaged separately. The 7 in. (178 mm) tube is not available with 84-inch (2134 mm) fans.

** Add 0.8 in. (20 mm) for 84-inch (2134 mm) diameter fans.

³ The precise fan weight will vary based on individual component weights and finishing.