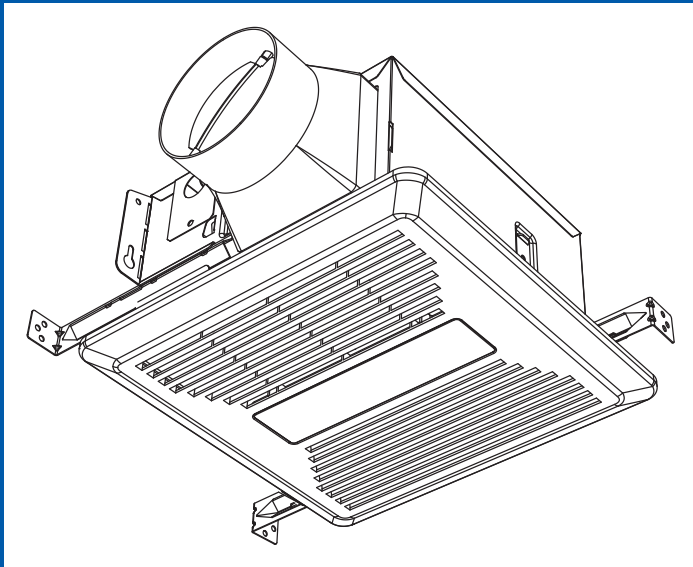


80 CFM Bathroom Exhaust Fan with LED Lights

QVE801DTWW



Signature Features

80 CFM Bathroom Exhaust Fan

This powerful 80 CFM fan removes odors and humidity for a fresh, clean bathroom all day long.

Exhaust Fan with LED Lights

Enjoy a long lasting, integrated lighting solution thanks to this bathroom exhaust fan with LED lights.

0.3 Sones Quiet Bathroom Fan

Experience the closest thing to silence in your home while running this ultra quiet bathroom exhaust fan.

Steel Construction Exhaust Fan

Rest assured that your bathroom will stay fresh for years to come with this sturdy and durable steel construction exhaust fan.

4 Inch Duct Exhaust Fan

Ensure you are matching existing ductwork with this 4 inch duct exhaust fan.

HVI Certified Bathroom Fan

This HVI certified bathroom fan is code compliant and safe for use in a variety of bathroom sizes.

Unit Specifications

| | |
|--------|---|
| Width | 9" |
| Depth | 9" |
| Height | 5-3/4" |
| Weight | 8.7 lbs. individual pack, 6.6 lbs. unit |
| UPC | 084691897170 |

Overpack Specifications

| | |
|-------------------------|-----------|
| # of units per overpack | 8 |
| Width | 31.3" |
| Depth | 26.4" |
| Height | 19.0" |
| Weight | 75.7 lbs. |

Warranty

— 1 Year Warranty (product only)

Available Finishes

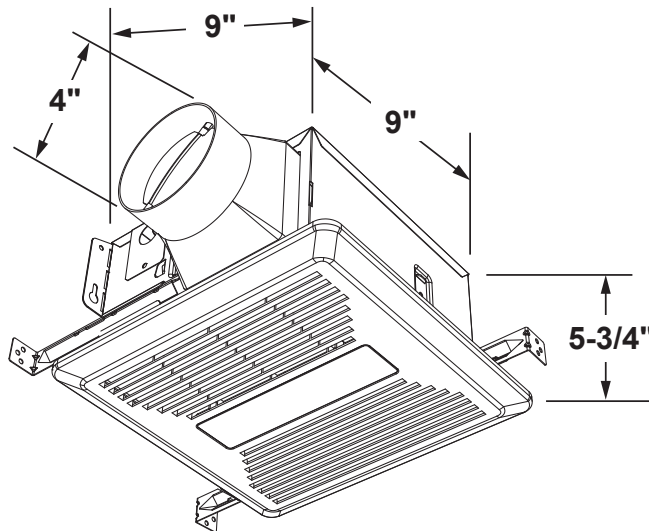
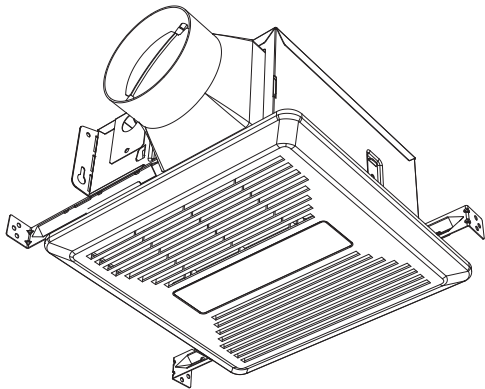


White
QVE801DTWW

Overall Product Details

| | |
|---------------------------|-----------------|
| Gross Weight | 6.6 lbs |
| Dimensions | W 9" |
| | D 9" |
| | H 5-3/4" |
| Power Requirements | |
| Electrical Rating | 120V, 60Hz |

Product Technical Illustration



General Appliance Information

Please read all installation details and instructions before use.

Contact Us

For questions regarding this product please refer to our website at haierappliances.com or call our customer service center at 877-337-3639.