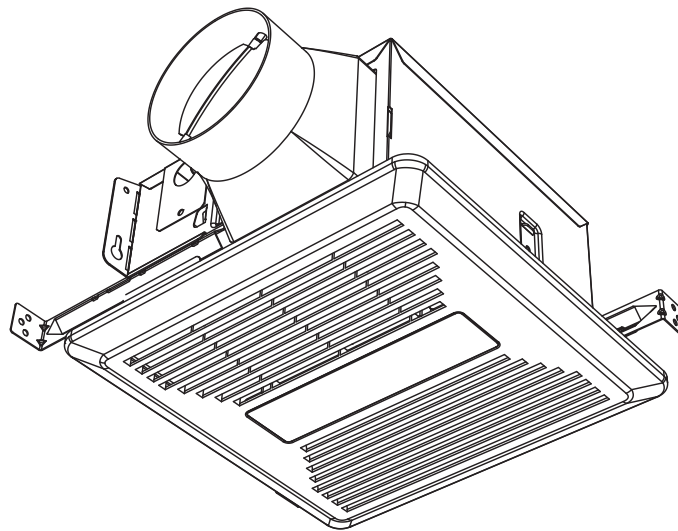


## 80 CFM Exhaust Fan



### ESPAÑOL

Para consultar una version en español  
de este manual de instrucciones,  
visite nuestro sitio de internet  
[Haierappliances.com](http://Haierappliances.com).



# TABLE OF CONTENTS

**SAFETY INFORMATION** ..... 4

**USING THE EXHAUST FAN** ..... 5

**PRODUCT CARE** ..... 5

**INSTALLATION INSTRUCTIONS** ..... 6

**TROUBLESHOOTING TIPS** ..... 14

**LIMITED WARRANTY** ..... 15

## RECORD KEEPING

Thank you for purchasing this Haier product. This user manual will help you get the best performance from your new exhaust fan.

For future reference, record the model and serial number located on a label inside the housing.

Staple your proof of purchase to this manual to aid in obtaining warranty service if needed.

---

Model number

---

Serial number

---

Date of purchase

## HAIER WEBSITE

Have a question or need assistance with your appliance? Try the Haier Website 24 hours a day, any day of the year! You can also shop for more great Haier products and take advantage of all our on-line support services designed for your convenience. In the US: **Haierappliances.com**

### Register Your Appliance

Register your new appliance on-line at your convenience! Timely product registration will allow for enhanced communication and prompt service under the terms of your warranty, should the need arise.

- Scan QR Code on product registration card, or on product.



**NOTE:** This is just an example of what a QR code represents.

- Or go to **Haierappliances.com/register**
- Or mail in your pre-printed registration card included in the packing material

## SAFETY INFORMATION

### IMPORTANT SAFETY INFORMATION READ ALL INSTRUCTIONS BEFORE USING THE APPLIANCE

**⚠ WARNING** TO REDUCE THE RISK OF FIRE, ELECTRIC SHOCK OR INJURY TO PERSONS, OBSERVE THE FOLLOWING:

- A. Use this unit only in the manner intended by the manufacturer. If you have questions, contact the manufacturer.
- B. Before servicing or cleaning unit, switch power off at service panel and lock the service disconnecting means to prevent power from being switched on accidentally. When the service disconnecting means cannot be locked, securely fasten a prominent warning device, such as a tag, to the service panel.

C. This unit must be grounded.

D. Do not use this fan with any solid-state speed control device.

**⚠ CAUTION** FOR GENERAL VENTILATING USE ONLY. DO NOT USE TO EXHAUST HAZARDOUS OR EXPLOSIVE MATERIALS AND VAPORS.

E. Please read specification label on product for further information and requirements.

#### PROPER DISPOSAL OF YOUR APPLIANCE

Dispose of or recycle your product in accordance with Federal and Local Regulations. Contact your local authorities for the environmentally safe disposal or recycling of your product.

**READ AND SAVE THESE INSTRUCTIONS**

## USING THE EXHAUST FAN

### OPERATION

To operate the fan and light separately, use a 2-function wall switch. Refer to installation instructions, Step 3, for wiring instructions.

## PRODUCT CARE

Verify that power is turned off at the source before cleaning.

For quiet and efficient operation, long life, and attractive appearance - lower or remove grille and vacuum interior of unit with the dusting brush attachment.

# INSTALLATION INSTRUCTIONS

## BEFORE YOU BEGIN

Read these instructions completely and carefully.

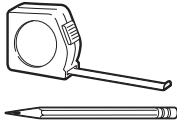
- **IMPORTANT** — Save these instructions for local inspector's use.
- **IMPORTANT** — Observe all governing codes and ordinances.
- **Note to Installer** – Be sure to leave these instructions with the Consumer.
- **Note to Consumer** – Keep these instructions for future reference.
- **Skill level** – Installation of this exhaust fan requires basic mechanical skills.
- Proper installation is the responsibility of the installer.
- Product failure due to improper installation is not covered under the Warranty.

**⚠ WARNING** TO REDUCE THE RISK OF FIRE, ELECTRIC SHOCK OR INJURY TO PERSONS, OBSERVE THE FOLLOWING:

- A. Installation work and electrical wiring must be done by qualified person(s) in accordance with all applicable codes and standards, including fire-rated construction.
- B. Sufficient air is needed for proper combustion and exhausting of gases through the flue (chimney) of fuel burning equipment to prevent back drafting. Follow the heating equipment manufacturer's guidelines and safety standards such as those published by the National Fire Protection Association (NFPA), the American Society for Heating, Refrigeration and Air Conditioning Engineers (ASHRAE) and the local code authorities.
- C. When cutting or drilling into wall or ceiling, do not damage electrical wiring and other hidden utilities.
- D. Ducted fans must always be vented to the outdoors.
- E. If this unit is to be installed over a tub or shower, it must be marked as appropriate for the application and be connected to a GFCI (Ground Fault Circuit Interrupter)-protected branch circuit.
- F. Do not mount this product in a wall.
- G. Never place a switch where it can be reached from a tub or shower.
- H. Install fan at least 2.1 meters (7 feet) above the floor.
- I. This unit must be grounded
- J. Not for use in kitchens.
- K. Before beginning the installation, switch power off at service panel and lock the service disconnecting means to prevent power from being switched on accidentally. When the service disconnecting means cannot be locked, securely fasten a prominent warning device, such as a tag, to the service panel.

# INSTALLATION PREPARATION

## TOOLS AND MATERIALS REQUIRED (NOT SUPPLIED)



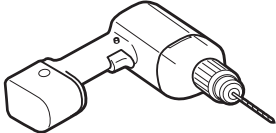
Pencil and tape measure



Safety glasses



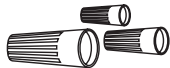
Screwdriver



Electric drill with #2 Phillips drill bit



Wire cutter/stripper



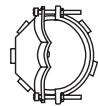
UL listed wire nuts



Duct tape



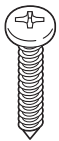
Gloves



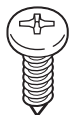
Strain relief for junction box, 3/4" diameter knockout

## HARDWARE PACKAGE (supplied)

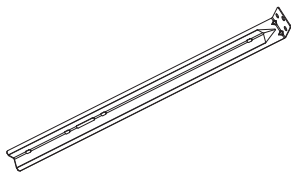
Locate and check contents.



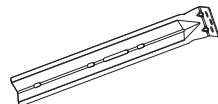
**A.** 1" screw (QTY: 4)  
Used for hanger bar installation to joist



**B.** 1/2" screw (QTY: 2)  
Used for securing hanger bars together



(QTY: 3) 13" Hanger Bar for mounting fan



(QTY: 1) 6-3/4" Hanger Bar for mounting fan

## REMOVE THE PACKAGING

**⚠ CAUTION** Wear gloves to protect against sharp edges.

- Remove and properly discard the plastic bag and other packaging materials.
- Consider recycling options for your appliance packaging material.

## POWER SUPPLY

**IMPORTANT – (Please read carefully)**

**⚠ WARNING** FOR PERSONAL SAFETY, THIS APPLIANCE MUST BE PROPERLY GROUNDED.

Remove house fuse or open circuit breaker before beginning installation.

Do not use an extension cord or adapter plug with this appliance. Follow National Electrical Codes or prevailing local codes and ordinances.

### Electrical supply

These exhaust fans must be supplied with 120V, 60Hz, and connected to a properly grounded branch circuit, and protected by a 15 or 20 amp circuit breaker or time delay fuse.

- Acceptable for use over a tub or shower when connected to a GFCI (Ground Fault Circuit Interrupter) - protected branch circuit.
- Never place a switch where it can be reached from a tub or shower.
- Wiring must be 2 wire with ground.
- If the electrical supply does not meet the above requirements, call a licensed electrician before proceeding.
- Route house wiring as close to the installation location as possible in the ceiling or wall.
- Connect the wiring to the house wiring in accordance with local codes.

### Grounding instructions

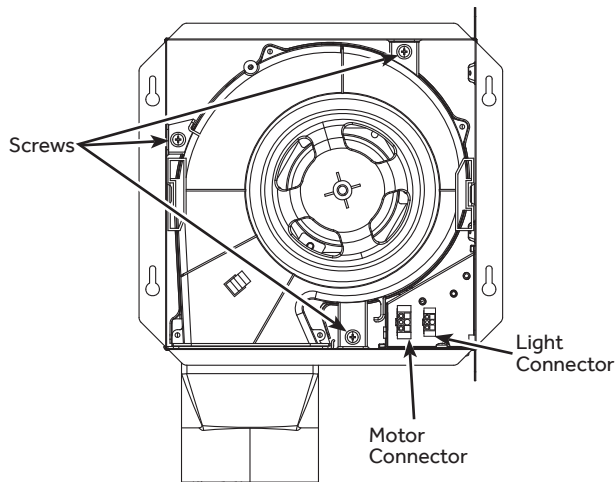
The grounding conductor must be connected to a ground metal, permanent wiring system, or an equipment-grounding terminal or lead on the hood.

**⚠ WARNING** The improper connection of the equipment-grounding conductor can result in a risk of electric shock. Check with a qualified electrician or service representative if you are in doubt whether the appliance is properly grounded.

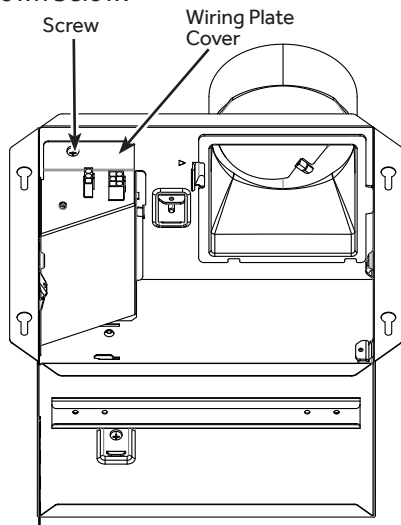
# INSTALLATION

## PREPARE EXHAUST FAN

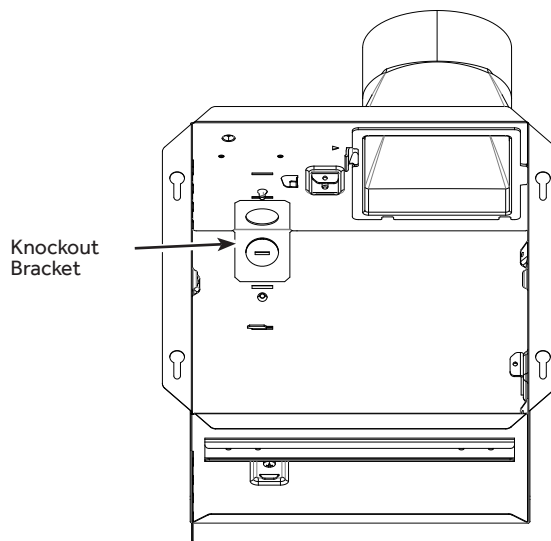
1. Unplug the motor connector from the wiring plate and uninstall the motor assembly by removing the 3 screws shown and pulling it up from the housing.



2. Uninstall the wiring plate with wires by removing the screw shown below.



Remove the knockout bracket and install strain relief on the open knock out. Rotate the knockout bracket to align the open knockout with side or top of housing as needed.



3. Verify that power is turned off at the source and pull house wiring through the strain relief. Secure the knockout bracket in place using the screw provided.

## LOCATION

Choose your exhaust fan location and plan the duct route to vent exhaust to the outdoors. To maximize the ventilation performance, the following is recommended:

- a. Minimize the duct run length and number of transitions and elbows.
- b. Maintain a constant duct size and minimize the length of flexible ducting used.



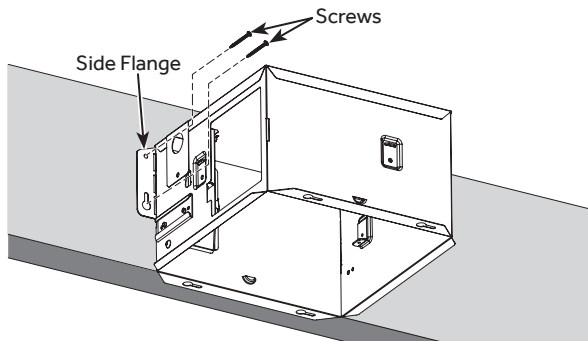
# INSTALLATION

## STEP 1. INSTALL HOUSING

**IMPORTANT:** This product can only be mounted to a ceiling.

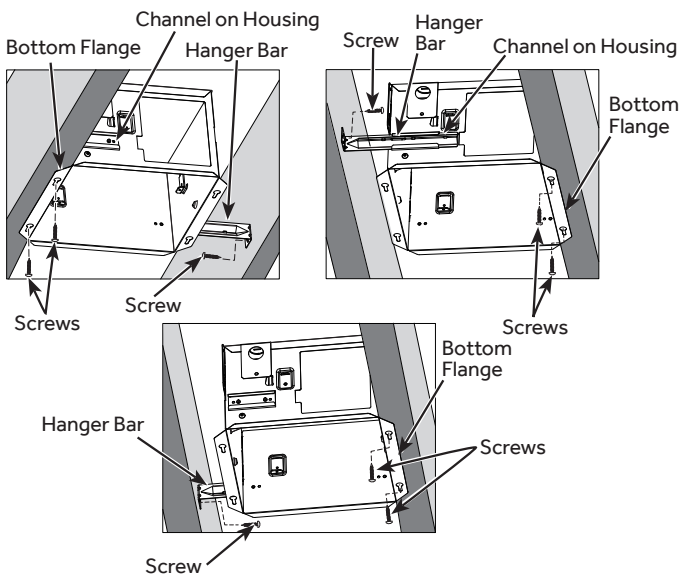
**A. NEW CONSTRUCTION INSTALLATION:** The housing can be mounted directly to the joist or i-joist using the side flange or mounted using hanger bars provided and the bottom flange

**I. Mounting Joist:** Make sure that the bottom edge of the housing is in contact with the bottom of the joist. Screw the housing assembly to the joist using the side flanges and the 4 screws (A) provided.



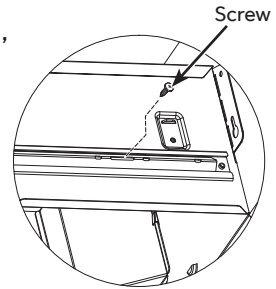
**II. Hanger bar and bottom flange between framing mounting:** To mount, slide hanger bar into the housing channel, adjusting it to fit between the framing. If the spacing between the joists is 16 to 17", the housing channel on the side opposite to the damper should be used.

Place the housing so the bottom flange of the housing is in contact with the bottom of the joist. Using screws (A) provided, secure the bottom flange to the joist and screw the hanger bar to the opposite joist.

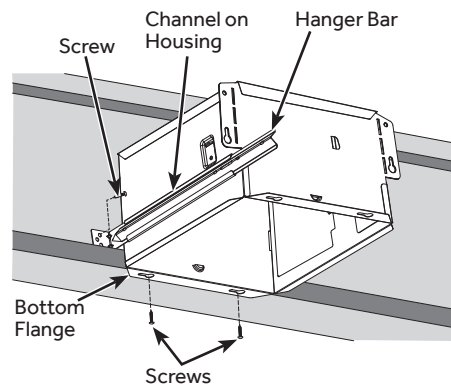


Using screw (B) provided, attach hanger bar to housing.

**NOTE:** If the housing needs to be mounted in a specific orientation to accommodate for duct routing or electrical, 2X4 framing can be used for housing installation.



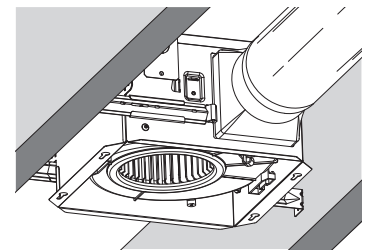
**III. Hanger bar and bottom flange mounting:** Slide hanger bar into the housing channel. Place the housing so the bottom flange of the housing is in contact with the bottom of the joist. Using screws (A) provided, attach the flange to the joist. Screw the hanger bar to joist using screws (A) provided and attach hanger bar to housing using screws (B) provided.



**IV. Mount with hanger bars provided:** The hanger bars span up to 24" and are compatible with all types of framing.

Slide hanger bars into the housing channels, extending it to fit between the framing. Place the housing so that the hanger bar tabs are in contact with the bottom of the joist framing. Screw the hanger bars to the joist using an screw (A) through one of the holes on each end tab of the hanger bars. Secure the hanger bars together using screw (B) through one of the available slots on the hanger bars.

**NOTE:** To avoid motor bearing damage and noisy and/or unbalanced impellers, keep drywall spray, construction dust, etc. off of unit. A cardboard dust cover is provided with exhaust fan that can be used to protect the motor assembly during construction.

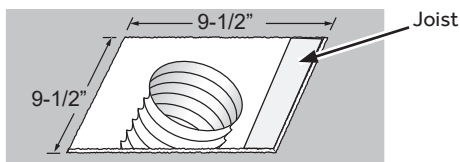


# INSTALLATION

## STEP 1. INSTALL HOUSING (Cont.)

### B. INSTALLATION IN EXISTING CEILING OR REPLACING AN EXISTING FAN

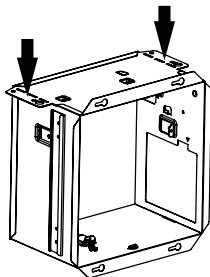
**Existing ceiling:** With a pencil, trace an outline of the housing onto the ceiling. Set the housing aside and cut out a 9-1/2" by 9-1/2" opening for the fan. The cardboard protective cover can be used as a template for the ceiling cut out. Position the housing against the joist and make sure the bottom edge of housing is flush with the bottom of the joist. Leave ductwork and wiring in place. Proceed to Mount Housing.



**Replacing existing fan:** Remove existing fan. Enlarge ceiling opening to 9-1/2" x 9-1/2" if needed.

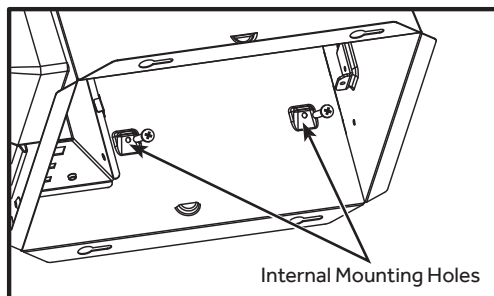
Fold the mounting ears flat against the housing sides.

Position the housing against the joist and make sure the bottom edge of housing is flush with the bottom of the joist. Leave ductwork and wiring in place. Proceed to Mount Housing.



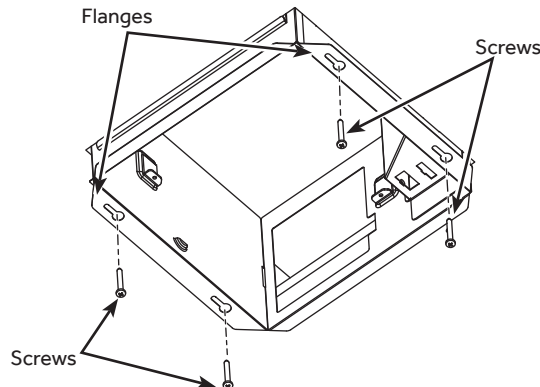
**Mount Housing:** The housing can be mounted directly to the joist using the internal mounting holes or mounted using the bottom flange.

**I. Internal holes:** Position the housing against the joist and make sure the bottom edge of housing is flush with the bottom of the joist. Using screws (A) provided, attach the housing directly to the framing or joist using the internal mounting holes in the housing. Motor assembly must be removed to gain access to the internal mounting holes.



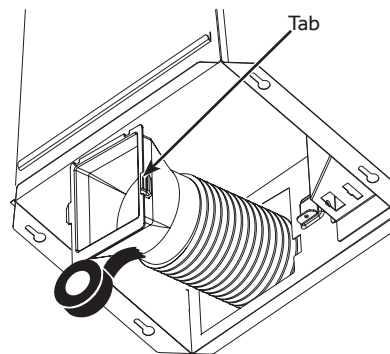
## STEP 1. INSTALL HOUSING (Cont.)

**II. Flange holes:** Position the housing assembly against the joist and make sure the bottom edge of housing is flush with bottom of the joist. Use the screws (A) provided to secure the housing to the joist through the bottom flange holes.



## STEP 2. CONNECT DUCTWORK

- Pull ducting through housing discharge opening. This exhaust fan has a 4" exhaust damper. Connect house ducting to the exhaust damper and seal all connections with duct tape. Ensure that the exhaust damper flap functions freely.
- Push exhaust damper back through opening, fixing the exhaust damper by the tab. Run the ductwork to a roof or wall cap.



**NOTE:** The ducting from this fan to the outside of building has a strong effect on the air flow, noise and energy use of the fan. Use the shortest, straightest duct routing possible for best performance, and avoid installing the fan with smaller ducts than recommended. Insulation around the ducts can reduce energy loss and inhibit mold growth. Fans installed with existing ducts may not achieve their rated air flow.

# INSTALLATION

**⚠ WARNING** Disconnect all electrical power at the main circuit breaker or fuse box before making connections.

## STEP 3. CONNECT ELECTRICAL

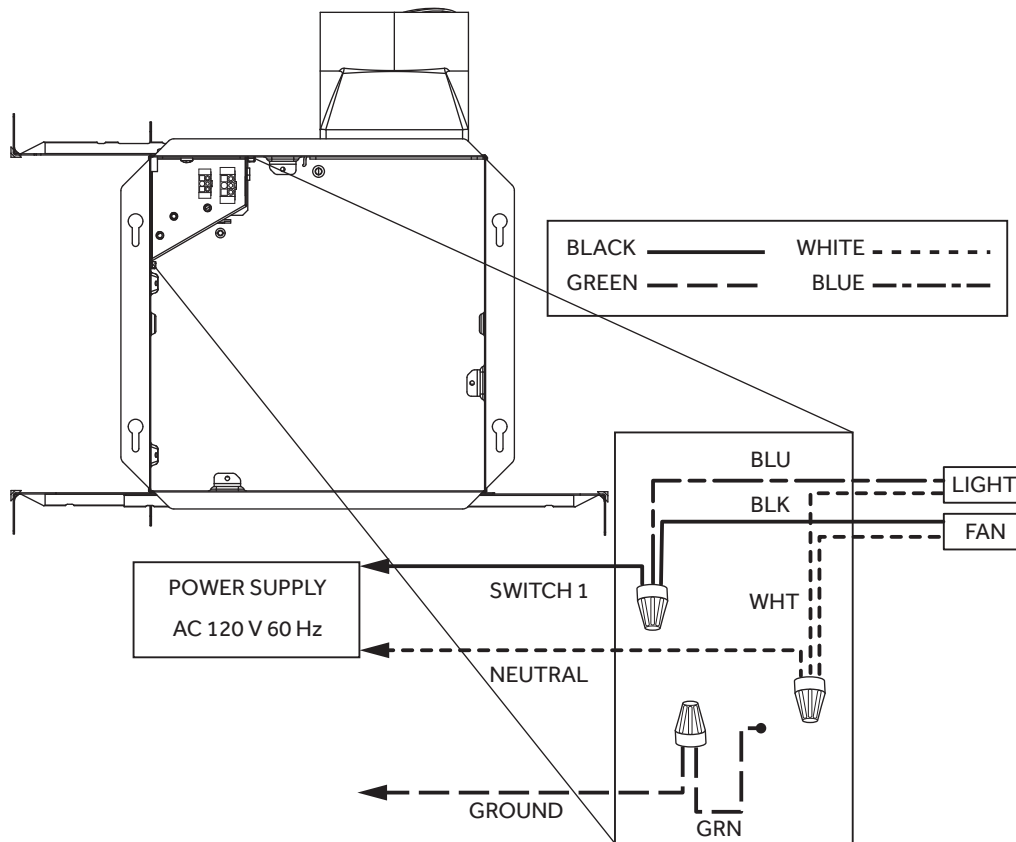
Verify that power is turned off at the source. Take the wiring plate with wires and connect black wire to black house wire, white wire to white house wire and green wire to green house wire using UL approved wire nuts. All electrical connections must be made inside the unit. Refer to the wiring diagram for connection to wall switch.

Push all the wiring to the corner of the unit and install the wire plate cover in the housing and secure in place using the screw. Ensure wires are not pinched.

**NOTE:** To prevent wires from getting pinched under the motor assembly, do not leave wires outside the wiring plate.

**⚠ WARNING** If house wiring is not 2-wire with a ground wire, a ground must be provided by the installer. When house wiring is aluminum, be sure to use UL approved anti-oxidant compound and aluminum-to-copper connectors.

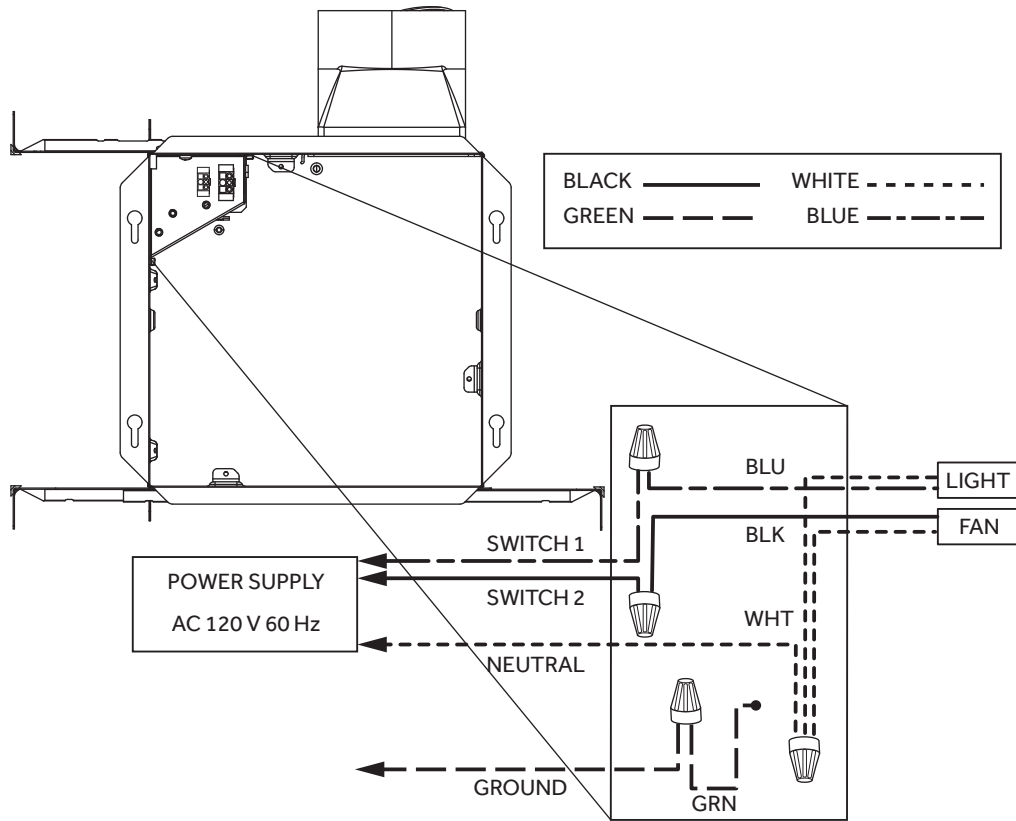
**Connection to one wall switch.** Fan and light will be controlled together.



# INSTALLATION

## STEP 3. CONNECT ELECTRICAL (Cont.)

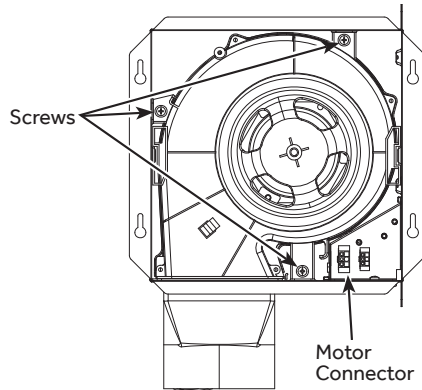
Connection to two wall switches. Fan and light will be controlled separately.



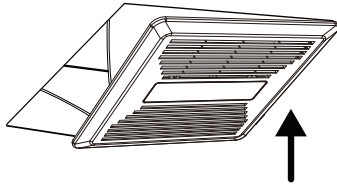
# INSTALLATION

## STEP 4. INSTALL MOTOR ASSEMBLY & GRILLE

Insert the motor assembly into the housing. Secure it in place using the screws as shown and connect the motor connector to the wiring plate.



Connect the light connector from the grille to the wiring plate. Press the springs on the sides of the grille together and insert them into the slots in the motor assembly. Firmly push the attached grille up against the ceiling.



## PRODUCT REPLACEMENT

In case of Haier product replacement, follow the steps below to replace unit:

**⚠ WARNING** Disconnect all electrical power at the main circuit breaker or fuse box before product replacement.

1. Remove the grille from existing unit.
2. Unplug the motor and the light connectors from the wiring plate of the current unit. Uninstall the motor assembly by removing the screws and pulling it out of the housing.
3. Discard the motor assembly and grille.
4. Unbox new unit and follow step 2 of this section to remove motor assembly and light grill from new unit.
5. Install the new motor assembly into the existing housing using the screws as shown in installation instructions Step 4. Install motor assembly and grill.
6. Reinstall the grille and turn power on to test unit.

## TROUBLESHOOTING TIPS

Save time and money! Review the chart below first and you may not need to schedule service.

<b>Problem</b>	<b>Possible Cause</b>	<b>What To Do</b>
<b>Fan/light does not operate when switch is turned on</b>	A GFCI or circuit breaker is tripped, or house fuse may be blown.	Reset GFCI, circuit breaker or replace house fuse. If this does not fix the issue, please refer to the LIMITED WARRANTY section.
<b>Fan fails to circulate air or moves air slower than normal and/or fan is making loud or abnormal airflow noise</b>	Obstructions in duct work.	Make sure nothing is blocking the vent. Make sure that if your wall or roof cap has a blade or door that it is open.
	Damper flap on the product may not be open	Make sure damper swings freely. Damper flap may flip over and will not fully open when this happens. Adjust to original position.
	Wrong duct size used in installation.	This fan requires 4" ducting to perform optimally. Using smaller duct size will cause reduced venting. Minimize the duct run length and number of transitions and elbows.
<b>Motor bearings are making excessive or unusual noises.</b>	Obstruction in the motor housing or bearing failure	Check for obstructions in the motor housing, refer to the PRODUCT CARE section for cleaning instructions. The motor is permanently lubricated and never needs oiling. If the issue is not fixed, please refer to the LIMITED WARRANTY section.

# LIMITED WARRANTY

## Haierappliances.com

For a warranty claim, please call Haier at 888.384.3641. Please have your Model and Serial number available. Additionally, proof of original purchase date is needed to make a warranty claim.

For the period of	Haier will replace
<b>One year</b> From the date of the original purchase	<b>If the exhaust fan</b> fails due to a defect in materials or workmanship, during this <b>limited one-year warranty</b> , Haier will either repair your product or replace your product with a new or remanufactured product, or refund the purchase price of the product at Haier's sole discretion.

### What Haier will not cover:

- Failure of the product if it is abused, misused, modified, or used for other than the intended purpose or used commercially.
- Replacement of house fuses or resetting of circuit breakers.
- Damage caused after delivery.
- Damage to the product caused by accident, fire, floods, or acts of God.
- Incidental or consequential damage caused by possible defects with this appliance.

### EXCLUSION OF IMPLIED WARRANTIES

Your sole and exclusive remedy is product repair as provided in this Limited Warranty. Any implied warranties, including the implied warranties of merchantability or fitness for a particular purpose, are limited to one year or the shortest period allowed by law.

### For sale in the 50 United States and the District of Columbia only:

**For US Customers:** This limited warranty is extended to the original purchaser for products purchased for home use within the USA.

Some states do not allow the exclusion or limitation of incidental or consequential damages. This limited warranty gives you specific legal rights, and you may also have other rights which vary from state to state. To know what your legal rights are, consult your local or state consumer affairs office or your state's Attorney General.

**Warrantor: GE Appliances, a Haier company**

Louisville, KY 40225

## **IMPORTANT**

### **Do Not Return This Product To The Store**

If you have a problem with this product, please call 888.384.3641 for the name and telephone number of the nearest authorized service center.

**DATED PROOF OF PURCHASE REQUIRED FOR WARRANTY SERVICE**

# **Haier**