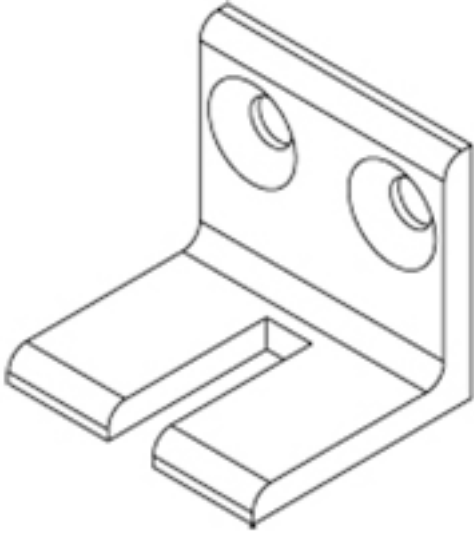


5111

Description: Surface Door Closers > 5100 Series Accessories



Notes

- For use with stop arms when reveal is less than 3-1/16"
- Provides anchor for fifth screw