



3100 Series

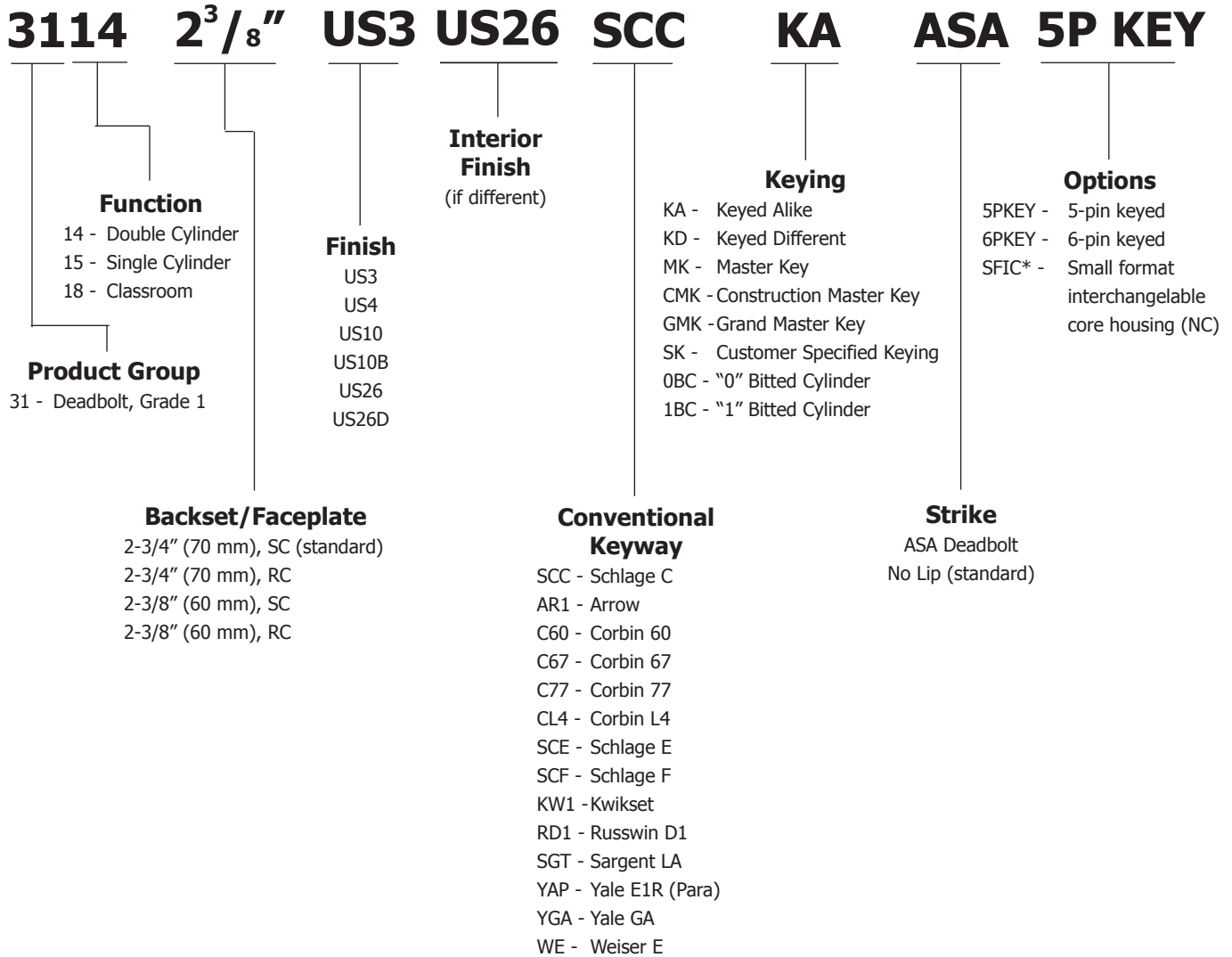
Description: Deadbolts > 3100 Series - Grade 1



Applications	<ul style="list-style-type: none"> - Auxiliary and primary locking - Cylinder Hole: 2-1/8" (54 mm) Diameter (Cross Bore) - Latch Hole: 1" (25.4 mm) Diameter (Edge Bore) 	Door Thickness	<ul style="list-style-type: none"> - 1-3/4" (45 mm) - 2" (51 mm)
Certifications	<ul style="list-style-type: none"> - BHMA Certified ANSI A156.5 Grade 1 - ANSI A250.13 Severe Windstorm Resistant Component - UL/cUL Listed for all functions up to 3 hours - UL10B Neutral Pressure Rated - UL10C/UBC 7-2 (1997) Positive Pressure Rated 	Backset	<ul style="list-style-type: none"> - 2-3/4" (70 mm) - 2-3/8" (60 mm) - Optional
Exposed Trim	<ul style="list-style-type: none"> - Brass or Bronze 	Latchbolt	<ul style="list-style-type: none"> - 1" (25.4 mm) Throw-Brass with concealed hardened steel roller to prevent sawing or cutting - 2-1/4" (57 mm) x 1-1/8" (29 mm) Square Corner Faceplate
Mechanism	<ul style="list-style-type: none"> - Steel, zinc plated and dichromated 	Strikes	<ul style="list-style-type: none"> - 3930 Square Corner, 1-1/8" x 2-3/4" (70 mm) with dustbox - Standard - 3929 ASA Deadbolt Strike - Optional
Keys	<ul style="list-style-type: none"> - Two brass keys per lock 	Functions	<ul style="list-style-type: none"> - 14 Double Cylinder - 15 Single Cylinder - 18 Classroom
Cylinders	<ul style="list-style-type: none"> - Brass 6-pin - Keyed Different - C Keyway - Other keying options available from the factory - Interchangeable Core - Brass 6 or 7 pin - uncombined and combined - sold separately 		



3100 SERIES LOCKS HOW TO ORDER



Notes:

1. If master-keyed, include master key instruction sheet with order (available in catalog or online).

* Small format interchangeable core sold separately. Available in Best Keyways only, A Standard.

Ordering example: 3114 2-3/4" SC US26D SFIC NC





Hager Companies, Inc
139 Victor Street
Saint Louis, MO 63104

HAGER TEST REPORT NO.: LS04014

EVALUATION OF

**Hager Companies
3100 Series Grade 1
Single Cylinder Deadbolt**

TEST PARAMETERS:

This report covers tests and/or evaluations performed using the following standard(s) as a guideline: *ANSI/BHMA A156.5-2001 American National Standard for Auxiliary Locks and Associated Products*. Testing was conducted by Intertek Testing Services NA, Inc., at their Middleton, WI facility.

DESCRIPTION OF TEST SAMPLES:

Samples were identified as Model 3100 Grade 1 Single Cylinder Deadbolt. Samples were received in good condition on 6/01/2004.

TEST DATES: 6/04/2004 – 6/14/2004

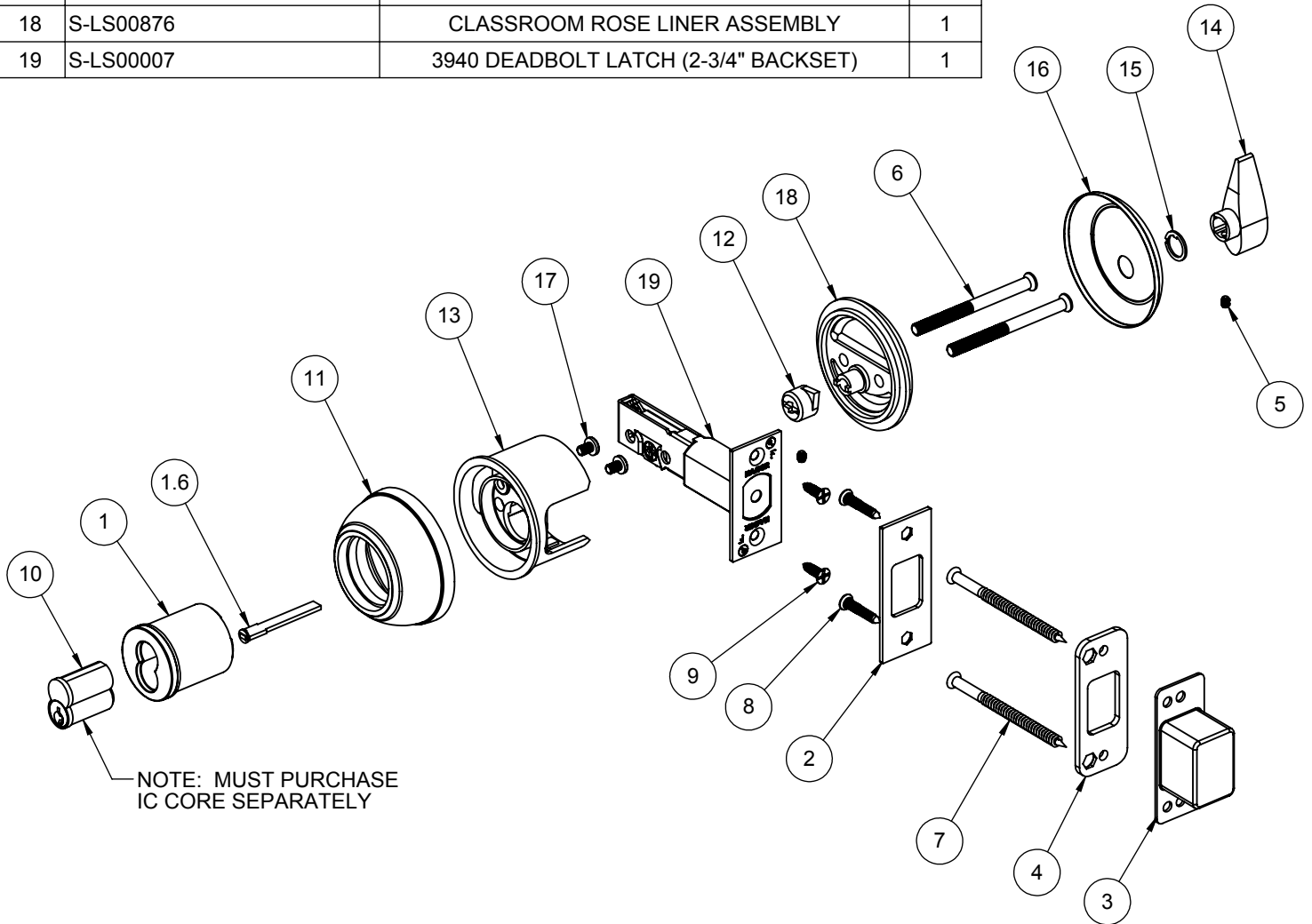
RESULTS: COMPLIANT

The testing results of specific subsections are summarized below.

Subsection	Test Description	Test Results
9.0	Operational Tests	Compliant
11.0	Security Tests	Compliant

This report summary was prepared as an account of work performed by a Third-Party Nationally Recognized Testing Laboratory. The information included in this report is certified extracts from the original test records, as contained in the permanent records of Hager Companies, Inc. Copies of the original third-party test reports are available upon request.

ITEM NO.	FILE NAME	DESCRIPTION	QTY.
1	S-LS00718	EXTERIOR THUMBTURN CYLINDER HOUSING - IC	1
1.6	S-LS00363	IC CORE TAILPIECE (2-639-7095)	1
2	S-LS00723	DEADBOLT STRIKE	1
3	S-LS00725	DEADBOLT DUST BOX	1
4	S-LS00724	DEADBOLT WOOD REINFORCER	1
5	Socket Set Screw Flat Point_Al	FLAT POINT SOCKET SET SCREW #6-32 X 3/16"	2
6	S-LS00883	CUSTOM #12-24 X 2-5/8" FPHMS	2
7	S-LS00885	CUSTOM #10 X 3" FPHWS	2
8	S-LS00882	#8 X 1-1/4" FPH COMBO SCREW	2
9	S-LS00882	#8 X 3/4" FPH COMBO SCREW	2
10	S-LS00550	INTERCHANGEABLE CORE	1
11	S-LS00367	ROSE	1
12	S-LS00366	COLLAR HANDING KEY	1
13	S-LS00379	IC CORE CYLINDER FIRE SHIELD	1
14	S-LS00373	THUMB TURN	1
15	S-LS00372	THUMB TURN WASHER	1
16	S-LS00371	THUMB TURN ROSE	1
17	pan cross head_ai	#8-32 X 1/4" PHMS	2
18	S-LS00876	CLASSROOM ROSE LINER ASSEMBLY	1
19	S-LS00007	3940 DEADBOLT LATCH (2-3/4" BACKSET)	1



PROPRIETARY & CONFIDENTIAL
 THE INFORMATION CONTAINED IN THIS DRAWING IS THE SOLE PROPERTY OF HAGER COMPANIES. ANY REPRODUCTION IN PART OR AS A WHOLE WITHOUT THE WRITTEN PERMISSION OF HAGER COMPANIES IS PROHIBITED.

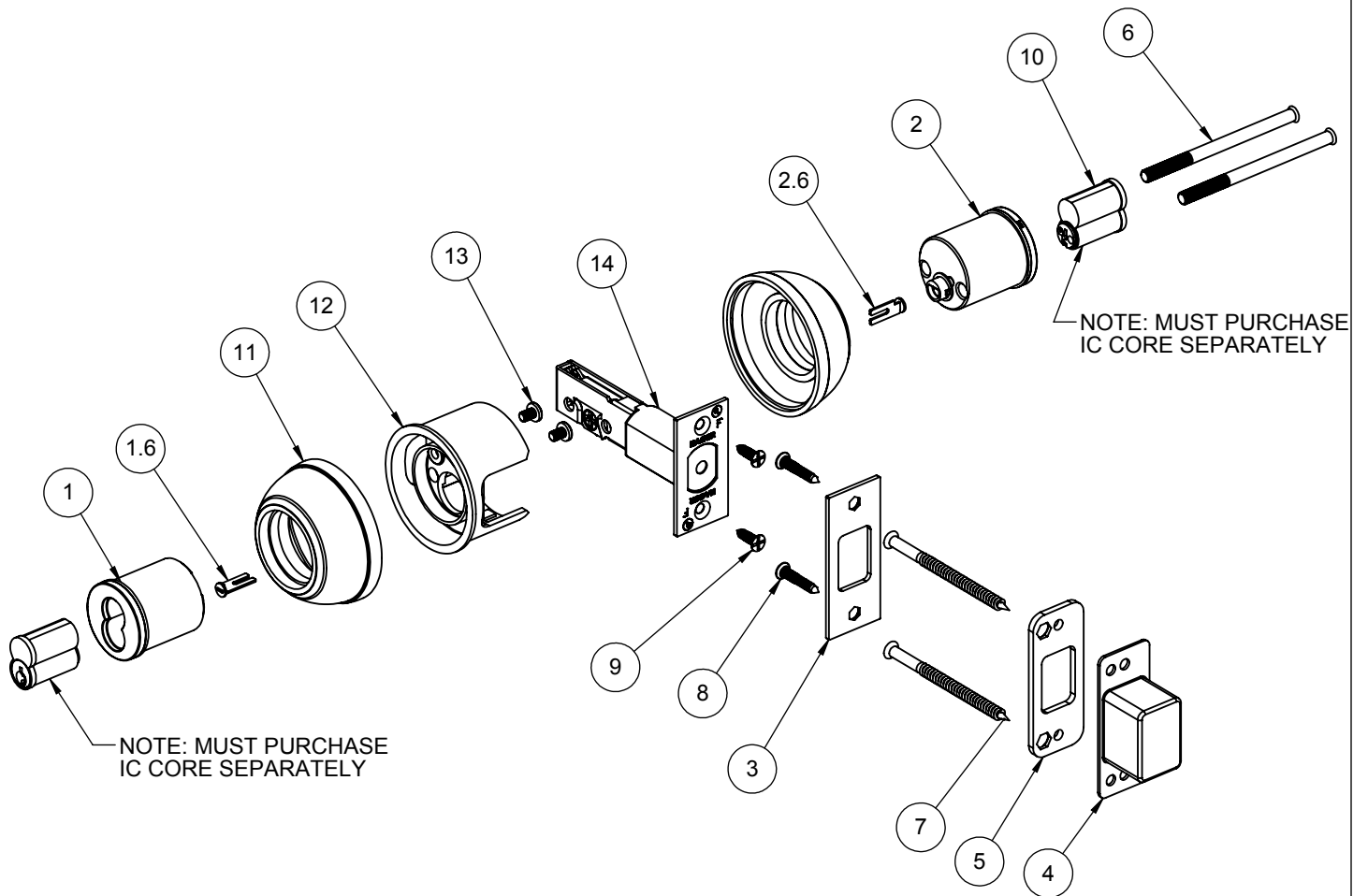
HAGER RESERVES THE RIGHT TO MAKE DESIGN CHANGES WITHOUT NOTICE. CALL HAGER ENGINEERING AT 1-800-325-9995 FOR THE LATEST REVISION DATE OF TEMPLATE.

MATERIAL	Material <not specified>
FINISH	-
DO NOT SCALE DRAWING	

DRAWN	MRJ	1/9/2010
ENG. APPR.	-	-
TOLERANCES: FRACTIONAL: ±0.015" ANGULAR: MACH: ±1° BEND: ±1° TWO PLACE DECIMAL: ±0.01" THREE PLACE DECIMAL: ±0.004"		

3118 GRADE 1 - CLASSROOM IC DEADBOLT		
SIZE	DWG. NO.	REV.
A	S-LS00875	-
SCALE: 1:4	WEIGHT: 1.52	SHEET 1 OF 1

ITEM NO.	FILE NAME	DESCRIPTION	QTY.
1	S-LS00718	EXTERIOR DOUBLE CYLINDER HOUSING - IC	1
1.6	S-LS00606	TAILPIECE (2-639-7091)	1
2	S-LS00718	INTERIOR DOUBLE CYLINDER HOUSING - IC	1
2.6	S-LS00606	TAILPIECE (2-639-7091)	1
3	S-LS00723	DEADBOLT STRIKE	1
4	S-LS00725	DEADBOLT DUST BOX	1
5	S-LS00724	DEADBOLT WOOD REINFORCER	1
6	S-LS00884	CUSTOM #12-24 x 3-1/4"OPHMS	2
7	S-LS00885	CUSTOM #10 X 3" FPHWS	2
8	S-LS00882	#8 X 1-1/4" FPH COMBO SCREW	2
9	S-LS00882	#8 X 3/4" FPH COMBO SCREW	2
10	S-LS00550	INTERCHANGEABLE CORE	2
11	S-LS00367	ROSE	2
12	S-LS00379	IC CORE CYLINDER FIRE SHIELD	1
13	pan cross head_ai	#8-32 X 1/4" PHMS	2
14	S-LS00007	3940 DEADBOLT LATCH (2-3/4" BACKSET)	1



PROPRIETARY & CONFIDENTIAL
 THE INFORMATION CONTAINED IN THIS DRAWING IS THE SOLE PROPERTY OF HAGER COMPANIES. ANY REPRODUCTION IN PART OR AS A WHOLE WITHOUT THE WRITTEN PERMISSION OF HAGER COMPANIES IS PROHIBITED.

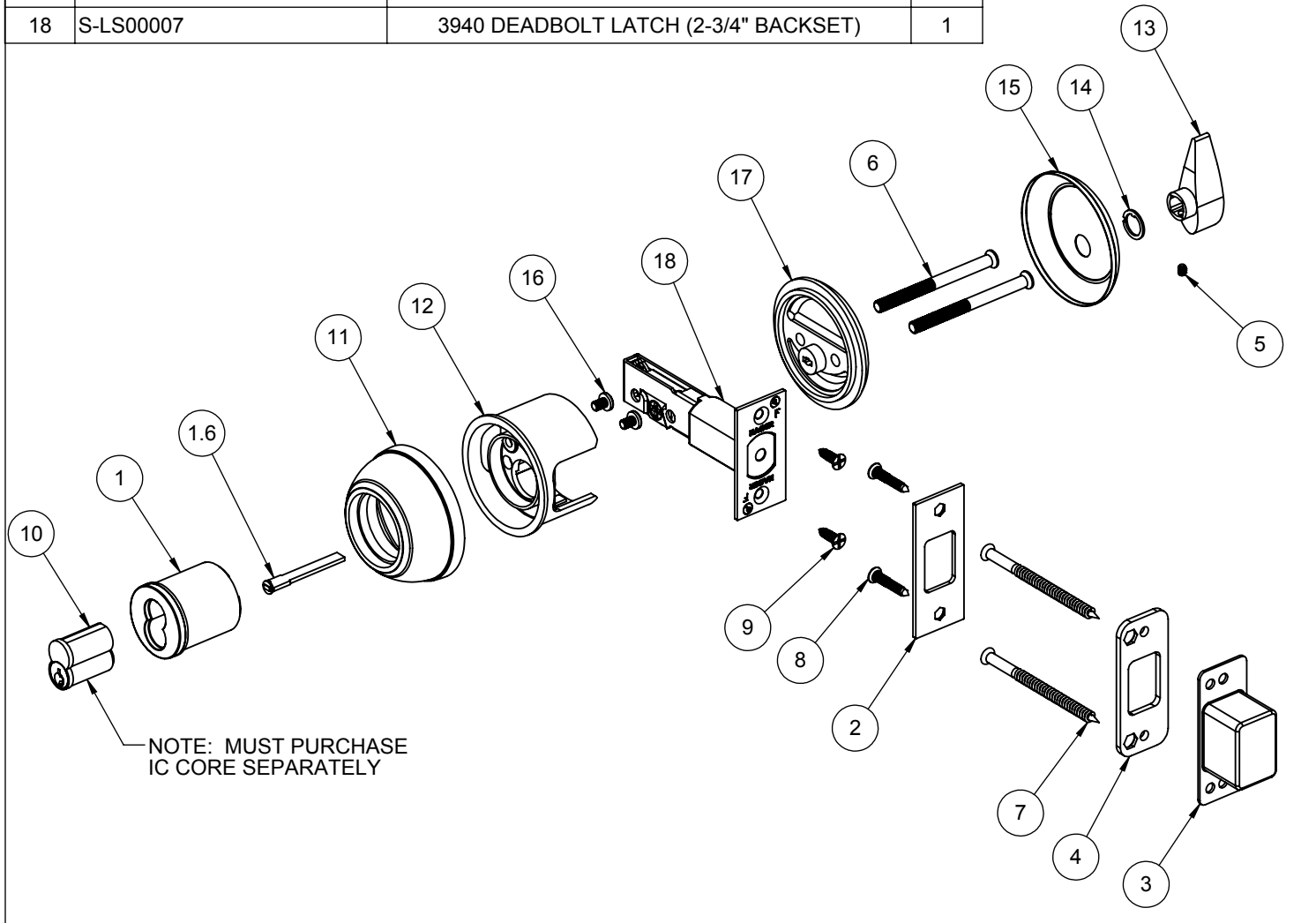
HAGER RESERVES THE RIGHT TO MAKE DESIGN CHANGES WITHOUT NOTICE. CALL HAGER ENGINEERING AT 1-800-325-9995 FOR THE LATEST REVISION DATE OF TEMPLATE.


MATERIAL	Material <not specified>
FINISH	-
DO NOT SCALE DRAWING	

DRAWN	-	9/9/2010
ENG. APPR.	-	-
Q.A.	-	-
TOLERANCES: FRACTIONAL: ±0.015" ANGULAR: MACH: ±1° BEND: ±1° TWO PLACE DECIMAL: ±0.01" THREE PLACE DECIMAL: ±0.004"		

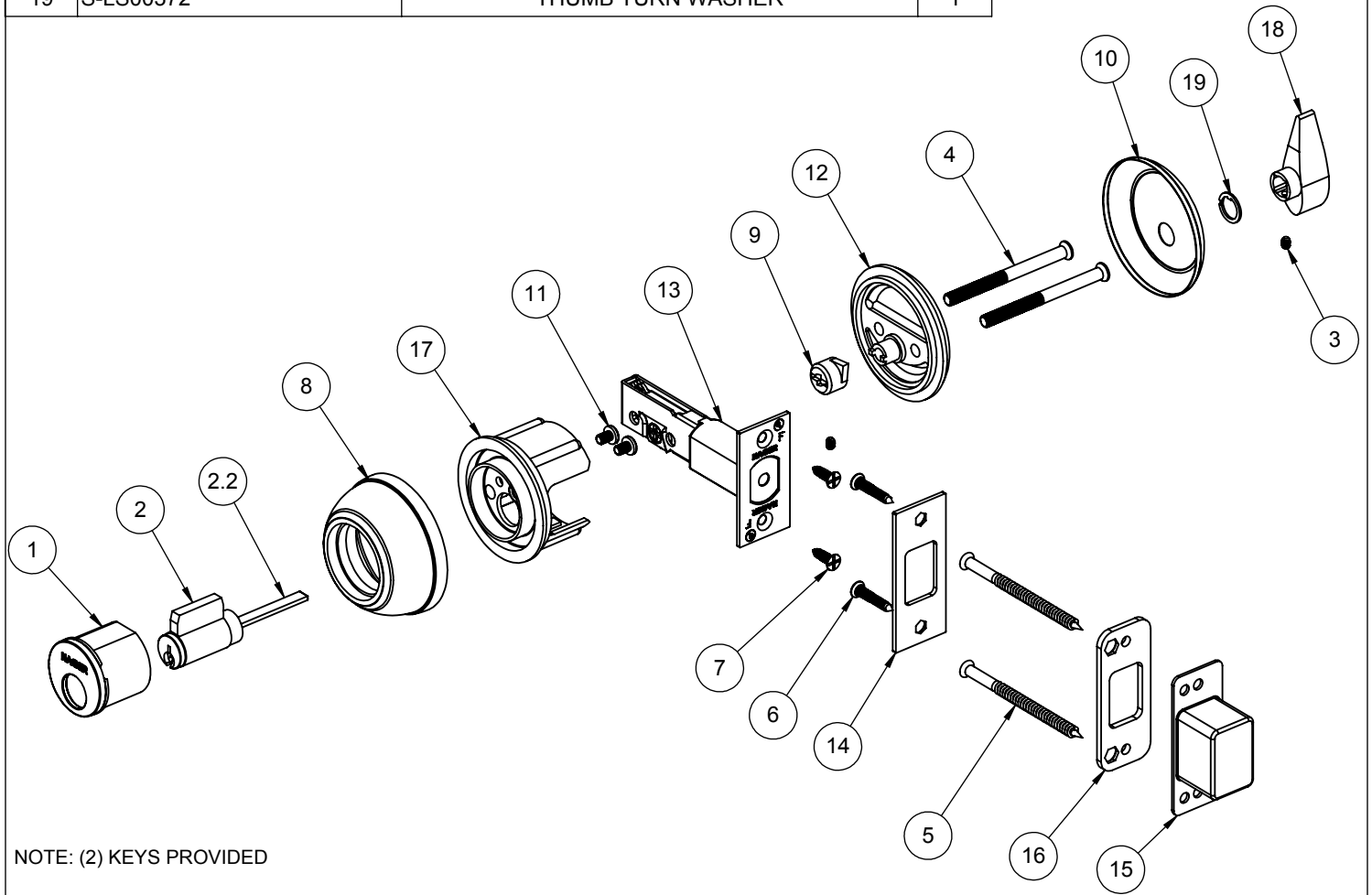
3114		REV.	-
GRADE 1 - DOUBLE CYLINDER IC DEADBOLT		SIZE	A
DWG. NO.	S-LS00877	SCALE: 1:4	WEIGHT: 1.98
SHEET 1 OF 1			

ITEM NO.	FILE NAME	DESCRIPTION	QTY.
1	S-LS00718	EXTERIOR THUMBTURN CYLINDER HOUSING - IC	1
1.6	S-LS00363	IC CORE TAILPIECE (2-639-7095)	1
2	S-LS00723	DEADBOLT STRIKE	1
3	S-LS00725	DEADBOLT DUST BOX	1
4	S-LS00724	DEADBOLT WOOD REINFORCER	1
5	Socket Set Screw Flat Point_AI	FLAT POINT SOCKET SET SCREW #6-32 X 3/16"	1
6	S-LS00883	CUSTOM #12-24 X 2-5/8" FPHMS	2
7	S-LS00885	CUSTOM #10 X 3" FPHWS	2
8	S-LS00882	#8 X 1-1/4" FPH COMBO SCREW	2
9	S-LS00882	#8 X 3/4" FPH COMBO SCREW	2
10	S-LS00550	INTERCHANGEABLE CORE	1
11	S-LS00367	ROSE	1
12	S-LS00379	IC CORE CYLINDER FIRE SHIELD	1
13	S-LS00373	THUMB TURN	1
14	S-LS00372	THUMB TURN WASHER	1
15	S-LS00371	THUMB TURN ROSE	1
16	pan cross head_ai	#8-32 X 1/4" PHMS	2
17	S-LS00876	THUMBTURN ROSE LINER ASSEMBLY	1
18	S-LS00007	3940 DEADBOLT LATCH (2-3/4" BACKSET)	1




 PROPRIETARY & CONFIDENTIAL THE INFORMATION CONTAINED IN THIS DRAWING IS THE SOLE PROPERTY OF HAGER COMPANIES. ANY REPRODUCTION IN PART OR AS A WHOLE WITHOUT THE WRITTEN PERMISSION OF HAGER COMPANIES IS PROHIBITED.	HAGER RESERVES THE RIGHT TO MAKE DESIGN CHANGES WITHOUT NOTICE. CALL HAGER ENGINEERING AT 1-800-325-9995 FOR THE LATEST REVISION DATE OF TEMPLATE.	MATERIAL	Material <not specified>	DRAWN	MRJ	1/9/2010	3115 GRADE 1 - CYLINDER X THUMBTURN IC DEADBOLT		
		FINISH	-	ENG. APPR.	-	-		Q.A.	
		DO NOT SCALE DRAWING		TOLERANCES: FRACTIONAL: ±0.015" ANGULAR: MACH: ± 1° BEND: ±1° TWO PLACE DECIMAL: ±0.01" THREE PLACE DECIMAL: ±0.004"			SIZE	DWG. NO.	REV.
							A	S-LS00878	-
					SCALE: 1:4	WEIGHT: 1.52	SHEET 1 OF 1		

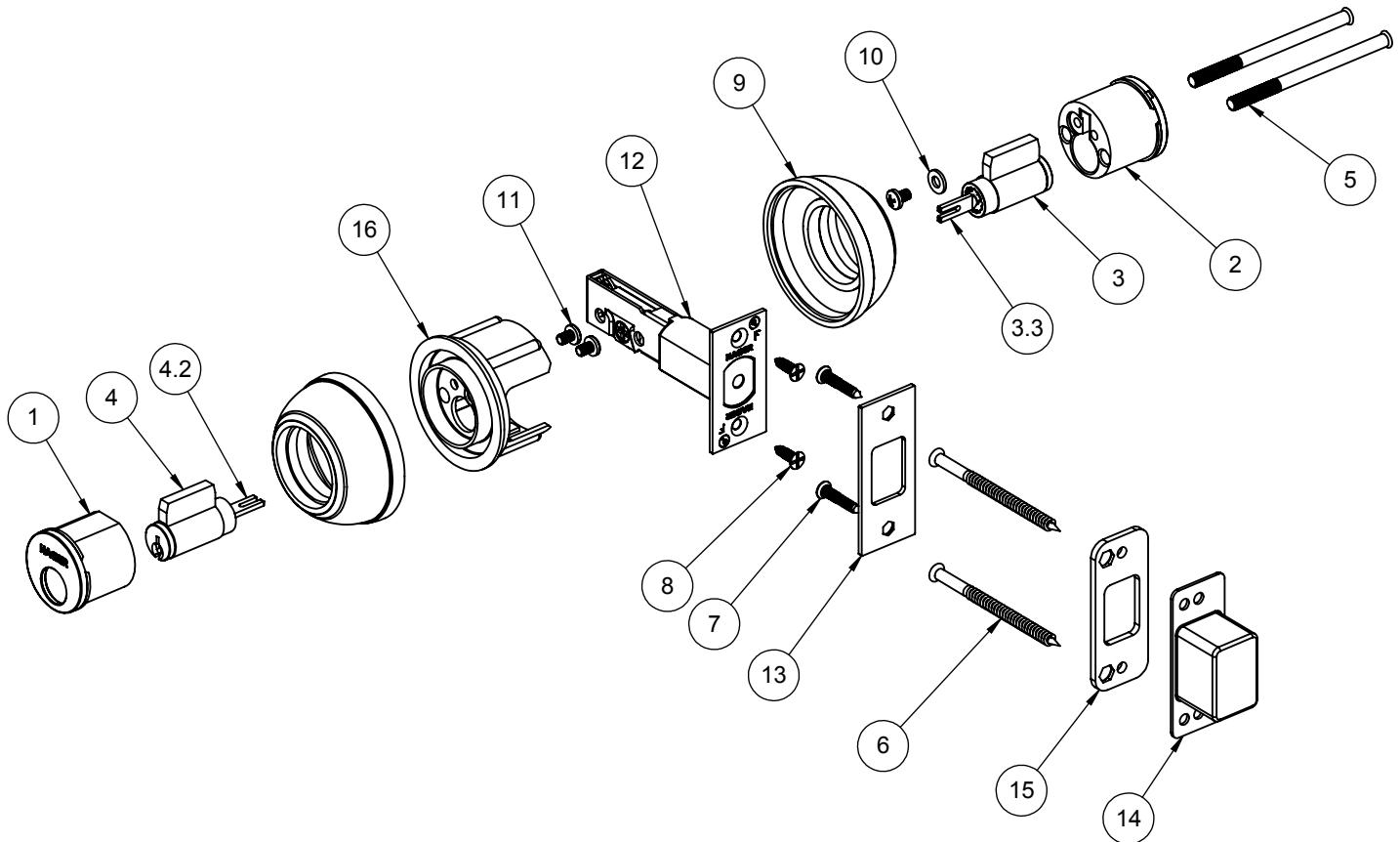
ITEM NO.	FILE NAME	DESCRIPTION	QTY.
1	S-LS00718	EXTERIOR DOUBLE CYLINDER HOUSING	1
2	S-LS00617	6-PIN DRILLED CYLINDER	1
2.2	S-LS00219	TAILPIECE (2-639-7007)	1
3	Socket Set Screw Flat Point_AI	FLAT POINT SOCKET SET SCREW #6-32 X 3/16"	2
4	S-LS00883	CUSTOM #12-24 X 2-5/8" FPHMS	2
5	S-LS00885	CUSTOM #10 X 3" FPHWS	2
6	S-LS00882	#8 X 1-1/4" FPH COMBO SCREW	2
7	S-LS00882	#8 X 3/4" FPH COMBO SCREW	2
8	S-LS00367	ROSE	1
9	S-LS00366	COLLAR HANDING KEY	1
10	S-LS00371	THUMB TURN ROSE	1
11	Pan Cross Head_AI	#8-32 X 1/4" PHMS	2
12	S-LS00876	CLASSROOM ROSE LINER ASSEMBLY	1
13	S-LS00007	3940 DEADBOLT LATCH (2-3/4" BACKSET)	1
14	S-LS00723	DEADBOLT STRIKE	1
15	S-LS00725	DEADBOLT DUST BOX	1
16	S-LS00724	DEADBOLT WOOD REINFORCER	1
17	S-LS00379	STANDARD CYLINDER FIRE SHIELD	1
18	S-LS00373	THUMB TURN	1
19	S-LS00372	THUMB TURN WASHER	1



NOTE: (2) KEYS PROVIDED

 <p>PROPRIETARY & CONFIDENTIAL THE INFORMATION CONTAINED IN THIS DRAWING IS THE SOLE PROPERTY OF HAGER COMPANIES. ANY REPRODUCTION IN PART OR AS A WHOLE WITHOUT THE WRITTEN PERMISSION OF HAGER COMPANIES IS PROHIBITED.</p>	<p>HAGER RESERVES THE RIGHT TO MAKE DESIGN CHANGES WITHOUT NOTICE. CALL HAGER ENGINEERING AT 1-800-325-9995 FOR THE LATEST REVISION DATE OF TEMPLATE.</p>	DRAWN	MRJ	1/9/2010	<p>3118 GRADE 1 - CLASSROOM DEADBOLT</p>	
		ENG. APPR.	-	-		
		MATERIAL	Material <not specified>			TOLERANCES:
		FINISH	-			FRACTIONAL: ±0.015" ANGULAR: MACH: ±1° BEND: ±1° TWO PLACE DECIMAL: ±0.01" THREE PLACE DECIMAL: ±0.004"
DO NOT SCALE DRAWING	SIZE	DWG. NO.	REV.	<p>A S-LS00879 02</p>		
	SCALE: 1:4	WEIGHT: 1.24	SHEET 1 OF 1			

ITEM NO.	FILE NAME	DESCRIPTION	QTY.
1	S-LS00718	EXTERIOR DOUBLE CYLINDER HOUSING	1
2	S-LS00718	INTERIOR DOUBLE CYLINDER HOUSING	1
3	S-LS00617	6-PIN DRILLED CYLINDER	1
3.3	S-LS00218	INTERIOR TAILPIECE (2-639-7006)	1
4	S-LS00617	6-PIN DRILLED CYLINDER	1
4.2	S-LS00217	EXTERIOR TAILPIECE (2-639-7005)	1
5	S-LS00884	CUSTOM #12-24 x 3-1/4"OPHMS	2
6	S-LS00885	CUSTOM #10 X 3" FPHWS	2
7	S-LS00882	#8 X 1-1/4" FPH COMBO SCREW	2
8	S-LS00882	#8 X 3/4" FPH COMBO SCREW	2
9	S-LS00367	ROSE	2
10	Flat Washer Narrow_AM	3.5MM NARROW FLAT WASHER	1
11	Pan Cross Head_AI	#8-32 X 1/4" PHMS	3
12	S-LS00007	3940 DEADBOLT LATCH (2-3/4" BACKSET)	1
13	S-LS00723	DEADBOLT STRIKE	1
14	S-LS00725	DEADBOLT DUST BOX	1
15	S-LS00724	DEADBOLT WOOD REINFORCER	1
16	S-LS00379	STANDARD CYLINDER FIRE SHIELD	1



NOTE: (2) KEYS PROVIDED



PROPRIETARY & CONFIDENTIAL
 THE INFORMATION CONTAINED
 IN THIS DRAWING IS THE SOLE
 PROPERTY OF HAGER
 COMPANIES. ANY REPRODUCTION
 IN PART OR AS A WHOLE WITHOUT
 THE WRITTEN PERMISSION OF
 HAGER COMPANIES IS PROHIBITED.

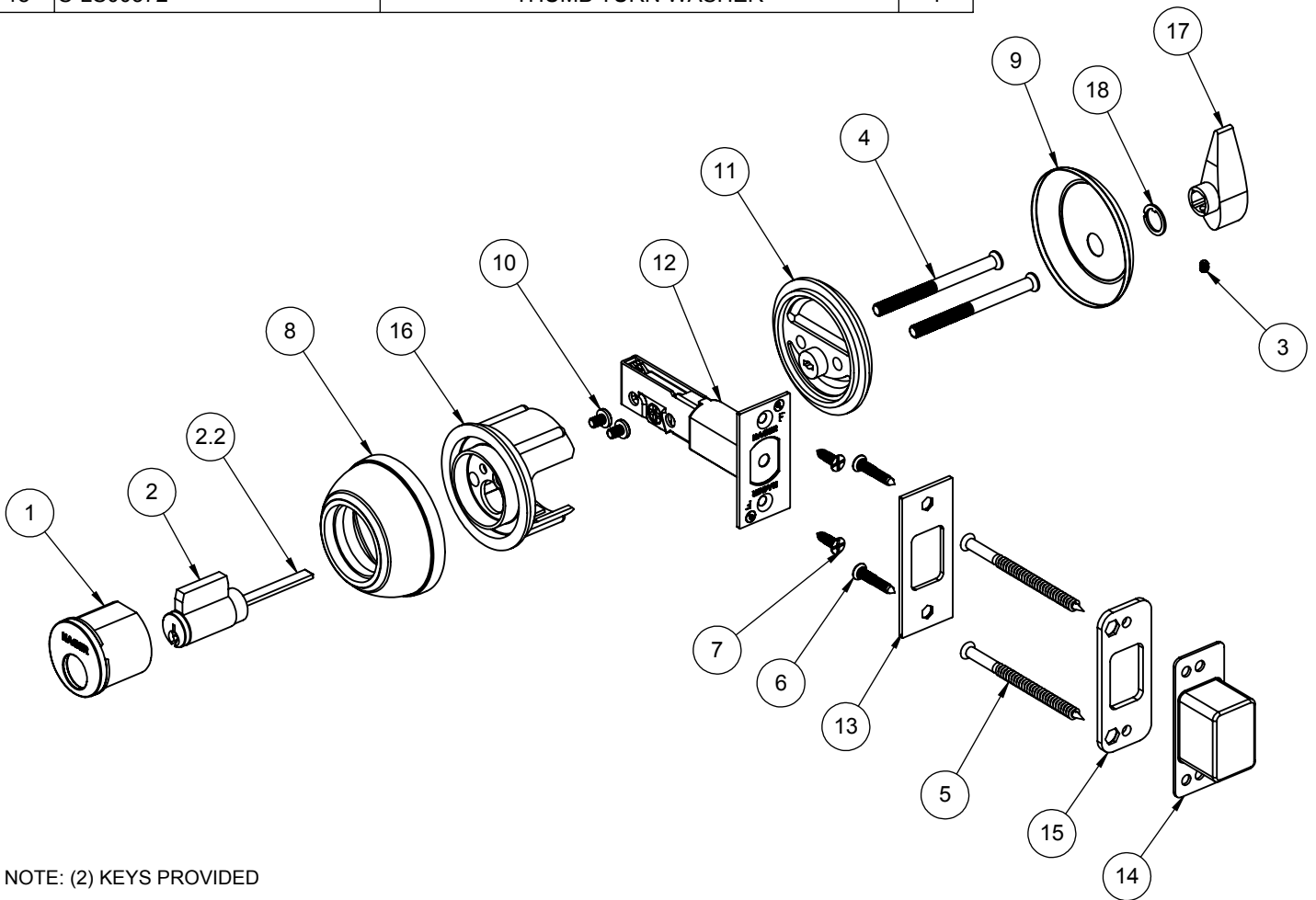
HAGER RESERVES
 THE RIGHT TO
 MAKE DESIGN
 CHANGES
 WITHOUT NOTICE.
 CALL HAGER
 ENGINEERING AT
 1-800-325-9995
 FOR THE LATEST
 REVISION DATE
 OF TEMPLATE.

MATERIAL	Material <not specified>
FINISH	-
DO NOT SCALE DRAWING	

DRAWN	MRJ	1/9/2010
ENG. APPR.	-	-
TOLERANCES:		
FRACTIONAL: ±0.015"		
ANGULAR: MACH: ±1° BEND: ±1°		
TWO PLACE DECIMAL: ±0.01"		
THREE PLACE DECIMAL: ±0.004"		

3114		
GRADE 1 - DOUBLE CYLINDER DEADBOLT		
SIZE	DWG. NO.	REV.
A	S-LS00880	02
SCALE: 1:4	WEIGHT: 1.70	SHEET 1 OF 1

ITEM NO.	FILE NAME	DESCRIPTION	QTY.
1	S-LS00718	EXTERIOR DOUBLE CYLINDER HOUSING	1
2	S-LS00617	6-PIN DRILLED CYLINDER	1
2.2	S-LS00219	TAILPIECE (2-639-7007)	1
3	Socket Set Screw Flat Point_AI	FLAT POINT SOCKET SET SCREW #6-32 X 3/16"	1
4	S-LS00883	CUSTOM #12-24 X 2-5/8" FPHMS	2
5	S-LS00885	CUSTOM #10 X 3" FPHWS	2
6	S-LS00882	#8 X 1-1/4" FPH COMBO SCREW	2
7	S-LS00882	#8 X 3/4" FPH COMBO SCREW	2
8	S-LS00367	ROSE	1
9	S-LS00371	THUMB TURN ROSE	1
10	Pan Cross Head_AI	#8-32 X 1/4" PHMS	2
11	S-LS00876	THUMBTURN ROSE LINER ASSEMBLY	1
12	S-LS00007	3940 DEADBOLT LATCH (2-3/4" BACKSET)	1
13	S-LS00723	DEADBOLT STRIKE	1
14	S-LS00725	DEADBOLT DUST BOX	1
15	S-LS00724	DEADBOLT WOOD REINFORCER	1
16	S-LS00379	STANDARD CYLINDER FIRE SHIELD	1
17	S-LS00373	THUMB TURN	1
18	S-LS00372	THUMB TURN WASHER	1



NOTE: (2) KEYS PROVIDED



PROPRIETARY & CONFIDENTIAL
 THE INFORMATION CONTAINED
 IN THIS DRAWING IS THE SOLE
 PROPERTY OF HAGER
 COMPANIES. ANY REPRODUCTION
 IN PART OR AS A WHOLE WITHOUT
 THE WRITTEN PERMISSION OF
 HAGER COMPANIES IS PROHIBITED.

HAGER RESERVES
 THE RIGHT TO
 MAKE DESIGN
 CHANGES
 WITHOUT NOTICE.
 CALL HAGER
 ENGINEERING AT
 1-800-325-9995
 FOR THE LATEST
 REVISION DATE
 OF TEMPLATE.

MATERIAL	Material <not specified>
FINISH	-
DO NOT SCALE DRAWING	

DRAWN	MRJ	1/9/2010
ENG. APPR.	-	-
TOLERANCES:		
FRACTIONAL: ±0.015"		
ANGULAR: MACH: ±1° BEND: ±1°		
TWO PLACE DECIMAL: ±0.01"		
THREE PLACE DECIMAL: ±0.004"		

3115		REV. 02	
GRADE 1 - CYLINDER X THUMBTURN DEADBOLT			
SIZE	DWG. NO.	REV.	
A	S-LS00881	02	
SCALE: 1:12	WEIGHT: 1.24	SHEET 1 OF 1	



The following products have been approved for statewide acceptance by the Florida Building Commission pursuant to Rule 9B-72.090, F.A.C., for approval of products and systems for use on Exterior Swinging Door Assemblies, in compliance with the structural requirements of the 2007 Florida Building Code. Verification of Florida Statewide acceptance can be found at www.floridabuilding.org under the Product Approval section.

**Severe Windstorm Resistant Components for Swinging Door Assemblies
ANSI A250.13 - 2003 Standard**

Certified Hardware	Assembly Configuration	Door Size	Door Stiffness Class	Design Load	Florida Certification Number (FL#)
3100 Series Grade 1 Deadbolt	Single - Out Swing	3-0 x 7-0	-	1150 lbf (100 psf)*	6118
	Single - Out Swing	4-0 x 8-0	-	1150 lbf (70 psf)*	
3200 Series Grade 2 Deadbolt	Single - Out Swing	3-0 x 7-0	-	1150 lbf (100 psf)*	6118
	Single - Out Swing	4-0 x 8-0	-	1150 lbf (70 psf)*	
3400 Series Grade 1 Lockset	Single - Out Swing	3-0 x 7-0	-	1150 lbf (100 psf)*	6118
	Single - Out Swing	4-0 x 8-0	-	1150 lbf (70 psf)*	
3500 Series Grade 2 Lockset	Single - Out Swing	3-0 x 7-0	-	860 lbf (80 psf)*	7683
	Single - Out Swing	4-0 x 8-0	-	860 lbf (50 psf)*	
3800 Series Grade 1 Mortise	Single - Out Swing	3-0 x 7-0	-	1150 lbf (100 psf)*	12932
	Single - Out Swing	4-0 x 8-0	-	1150 lbf (70 psf)*	
4500 Rim Exit Device	Single - Out Swing	4-0 x 8-0 max.	I	+/- 70 psf 350 ft-lbs Impact	9481
4500 SVR Exit Device	Out Swing	8-0 x 8-0 pair max.	I	+/- 50 psf 350 ft-lbs Impact	13178
4700 Rim Exit Device	Single - Out Swing	4-0 x 8-0 max.	I	+/- 40 psf 350 ft-lbs Impact	8293
780-112 Roton Hinge	Single Swing	4-0 x 8-0 max.	I	1150 lbf (72 psf)* 350 ft-lbs Impact	6118
780-111, 780-224, 780-226 Roton Hinge (SD & HD)	Single Swing	4-0 x 8-0 max.	I	1150 lbf (72 psf)* 350 ft-lbs Impact	13776
BB1191 Hinge	Single - Out Swing	-	-	1780 lbf**	6118
1279, 1191, BB1279, BB1168, BB1199	Single - Out Swing	-	-	1780 lbf**	13776

* Load in parenthesis indicates the equivalent load in pounds per square foot based on indicated door size and door stiffness (if applicable). This load is based on the hardware item taking half of the force applied to the door assembly by the wind load and the hinges taking the other half.

** This load indicates the design load for a single butt hinge. Maximum wind load should be calculated based on door size, number of hinges used, and the other available door hardware on the door assembly.