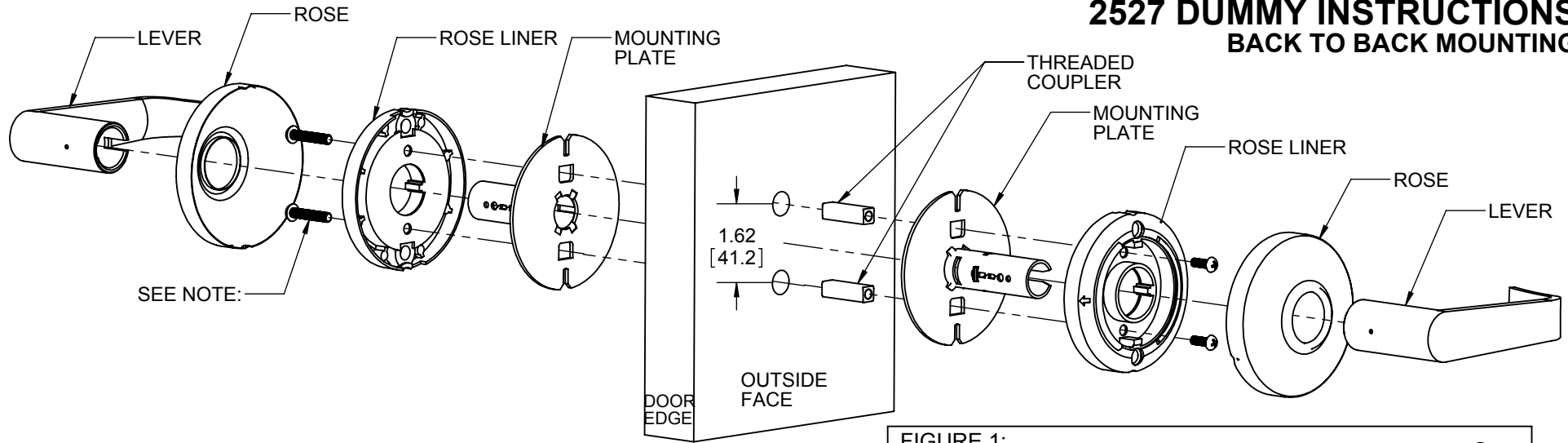
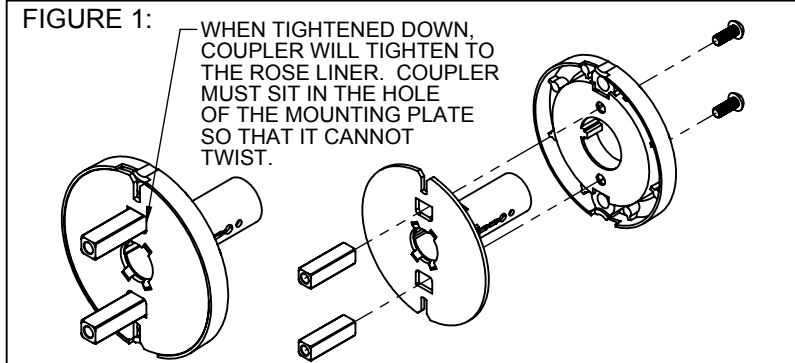


2527 DUMMY INSTRUCTIONS BACK TO BACK MOUNTING



NOTE:
FOR 1-3/8"[35] THICK DOOR, USE 1"[25.4] LONG MACHINE SCREWS.
FOR 1-3/4"[45] THICK DOOR, USE 1-3/8"[35] LONG MACHINE SCREWS.

1. DRILL (2) 1/2"[12.7] DIAMETER HOLES THRU THE FACE OF THE DOOR. (FOR WOOD DOOR, DRILL HALF WAY THRU BOTH SIDES OF THE DOOR TO AVOID SPLINTERING.)
2. INSERT ONE MOUNTING PLATE THROUGH ONE ROSE LINER SO THEY SIT FLUSH.
3. TIGHTEN THE ROSE LINER AND MOUNTING PLATE TOGETHER USING (2) 1/2"[12.7] LONG MACHINE SCREWS AND (2) THREADED COUPLERS. SEE FIGURE 1.
4. INSERT SECOND MOUNTING PLATE THROUGH SECOND ROSE LINER SO THEY SIT FLUSH.
5. INSERT ASSEMBLY WITH THE THREADED COUPLERS INTO THE HOLES IN THE DOOR.
6. HOLDING THE THREADED COUPLER ASSEMBLY TIGHT AGAINST THE DOOR, PLACE THE SECOND ASSEMBLY UP AGAINST THE INSIDE FACE OF DOOR. INSERT (2) MACHINE SCREWS THRU THE HOLES IN ROSE LINER.
7. TIGHTEN ASSEMBLY TO THE DOOR USING (2) MACHINE SCREWS (MACHINE SCREWS SHOULD TIGHTEN TO THE THREADED COUPLERS INSIDE THE DRILLED HOLES IN THE DOOR). SEE NOTE FOR SCREW DETAILS.
8. MAKE SURE BOTH SIDES ARE COMPLETELY TIGHTENED DOWN AND THEN INSTALL BOTH ROSES OVER THEIR ROSE LINERS.
9. INSERT BOTH LEVERS UNTIL THEY SNAP SECURELY IN PLACE.



DIMENSIONS IN [] ARE IN MILLIMETERS

DRAWING NO: I-LS00890

REV: 01

SHEET 3 OF 3

HAGER COMPANIES 139 Victor Street, St. Louis, MO 63104 - (800) 325-9995 - Fax (800) 782-0149

