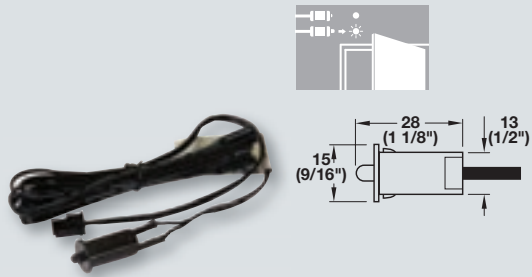
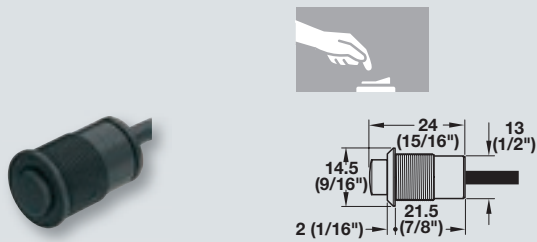


Door contact switch



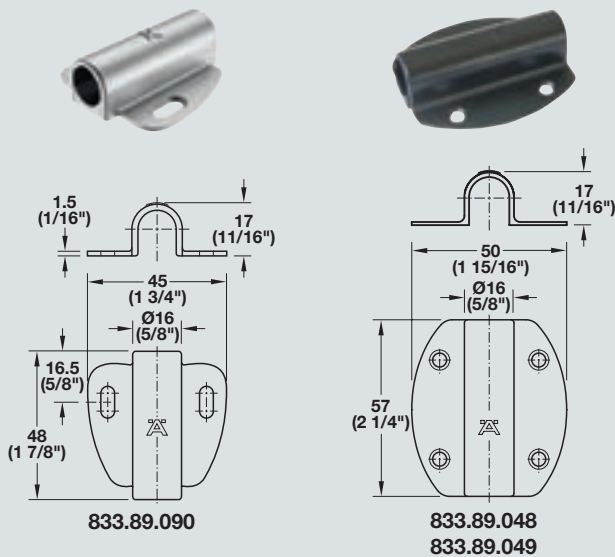
Item No.	833.89.045
SRP	\$10.00
Drill hole Ø x Length	13 x 28 (1/2" x 1 1/8")
Contact rating (W)	0 – 75
Material/Finish	Plastic, black
Supplied with	2 m (78 3/8") lead

Push switch



Item No.	833.89.044	833.89.074
SRP	\$10.00	\$10.00
Drill hole Ø x Length	13 x 28 (1/2" x 1")	
Contact rating (W)	0 – 75	
Material/Finish	Plastic, black	Plastic, gray colored
Supplied with	2 m (78 3/8") lead	

Housing for switch, for surface mounting



Item No.	833.89.090	833.89.048	833.89.049
SRP	\$4.00	\$4.00	\$4.00
Diameter	16 (5/8")		
Length	48 (1 7/8")	57 (2 1/4")	
Width	45 (1 3/4")	50 (2")	
Height	17 (11/16")	20 (13/16")	
Material/Finish	Plastic, silver colored	Plastic, black	Plastic, silver colored
Application	For switch with Ø12 mm (1/2")	For switch with Ø13 mm (1/2")	



> Suitable for 32 mm series drilled holes