



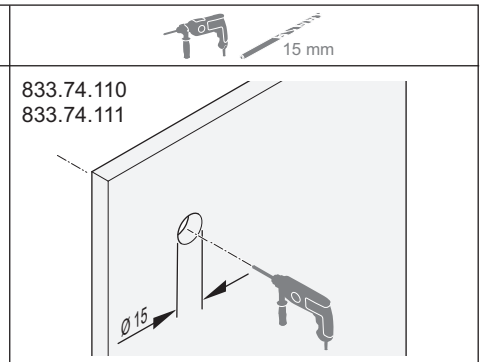
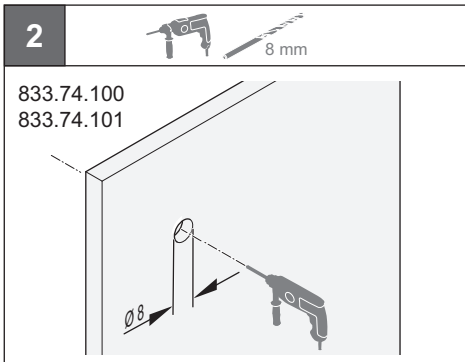
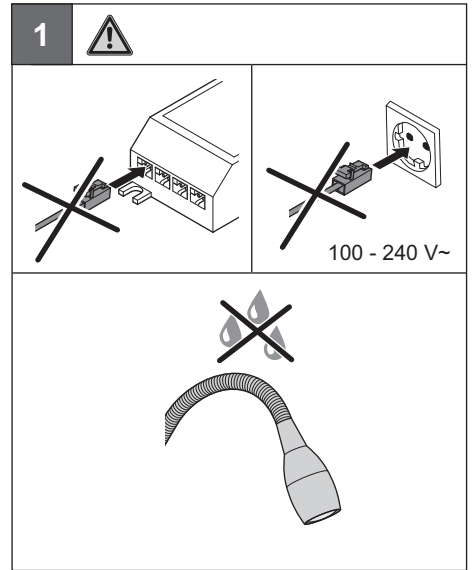
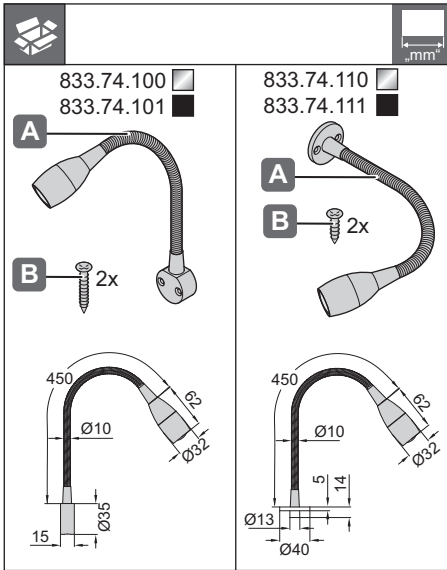




LED 2018

833.74.100 833.74.110
833.74.101 833.74.111

| 12V System | K | W | T _A | mm | mm | |
|--|--------|-----|-----------------------------------|------------|------------|--|
| 833.74.100  833.74.101  | 3000 K | 2 W | -20 °C – +35 °C -4 °F – +95 °F | Ø 42 x 557 | ≤ 52 x 567 | 833.74.900 833.74.901 833.74.913 |
| 833.74.110  833.74.111  | | | | Ø 42 x 536 | ≤ 52 x 546 | 833.74.914 833.74.917 833.74.918 |



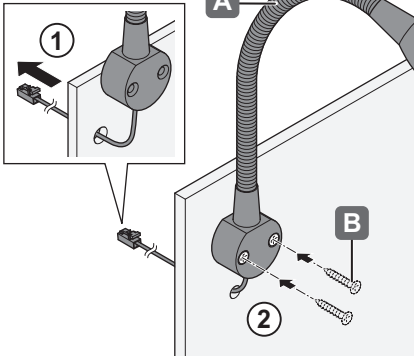
HDE 29.11.2012

732.28.207

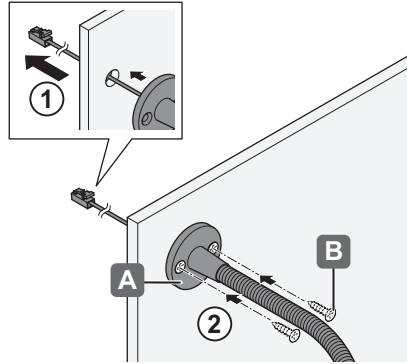
3



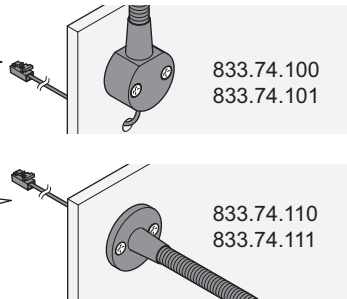
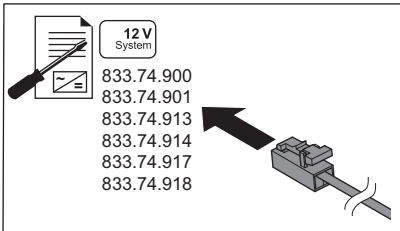
833.74.100
833.74.101



833.74.110
833.74.111



4



i

