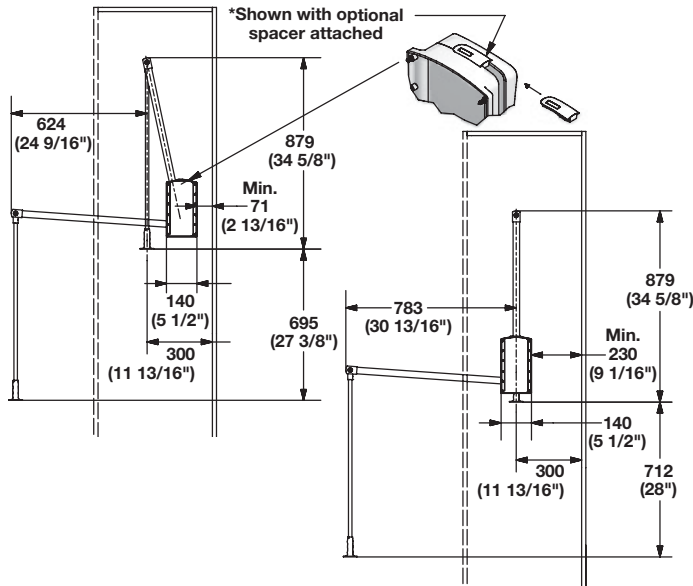
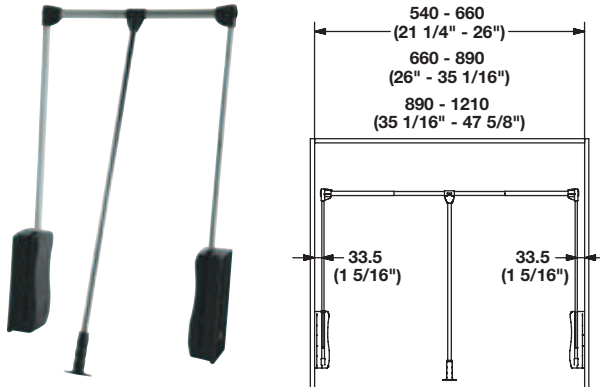


Lifts

- Adjustable width
- Optional poles are available for higher installation
- Ergonomic handle
- Reinforced T-bracket
- Bumpers attached to add protection to the housing when lowering the clothes bar
- Spacers included to provide optional distance between the back wall and the hangers

4



Wardrobe Lift

- For attachment to closet sides with screws
- Weight capacity: 12 kg (26 lbs.)
- Height: 839 mm (33 1/16")
- Wardrobe tubes: Ø22 mm, with adjustment feature for different widths of closets

Material: Arms and pole: Steel; Housing: Plastic

For inside closet widths	Chrome-plated/Black	Black powder-coated/Black
540 - 660 (21 1/4" - 26")	805.31.201	805.31.301
660 - 890 (26" - 35 1/16")	805.31.202	805.31.302
890 - 1210 (35 1/16" - 47 5/8")	805.31.203	805.31.303

Supplied With

Mounting hardware

Wardrobe Lift

- For attachment to closet sides with screws
- For inside closet widths: 890 - 1210 mm (35 1/16" - 47 5/8")
- Weight capacity: 15 kg (33 lbs.)
- Height: 839 mm (33 1/16")
- Wardrobe tubes: Ø22 mm (7/8"), with adjustment feature for different widths of closets

Material: Arms and pole: Steel; Housing: Plastic

Finish/Color	Item No.
chrome-plated/black	805.31.223
black powder-coated/black	805.31.323

Supplied With

Mounting hardware

Steel Pole

- For optional pole length of the 805.31.xxx wardrobe lifts
- Poles can replace the handle pole
- Two screw holes provided, one at each end for attachment to the clothes bar connector and the handle
- Pole can be cut to size but hole must be redrilled for either the clothes bar connector or the handle Ø16 mm (5/8")

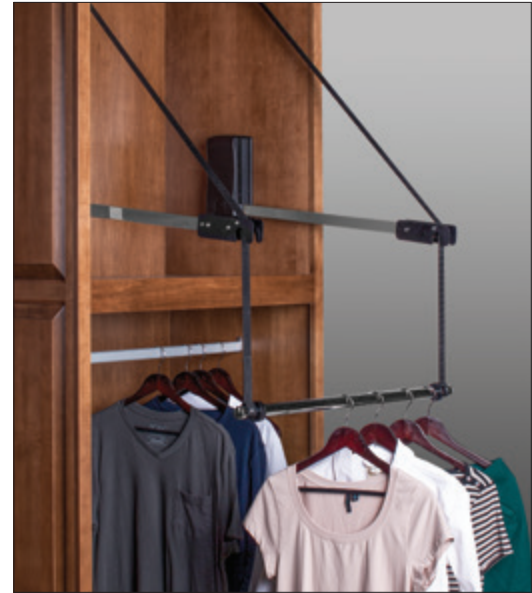
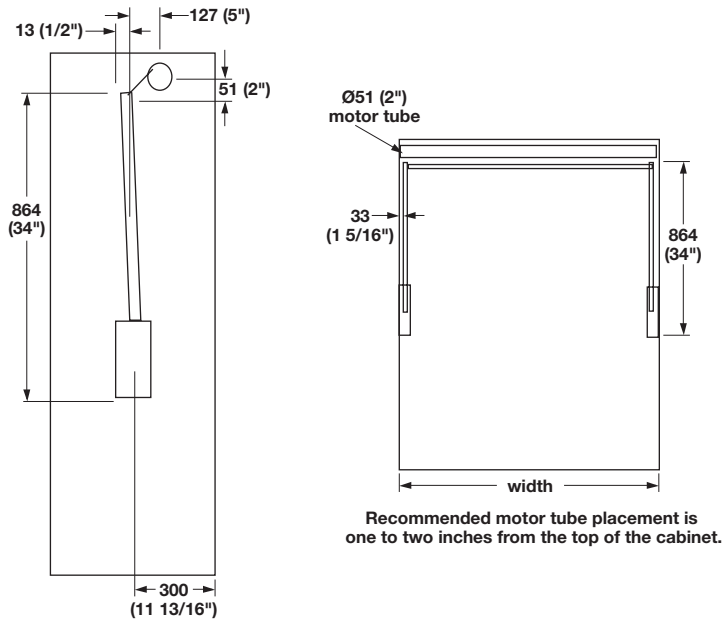
Material: Steel; Finish: chrome-plated

Length	Item No.
1800 (70 7/8")	805.31.295
1524 (60")	805.31.296
1219 (48")	805.31.297

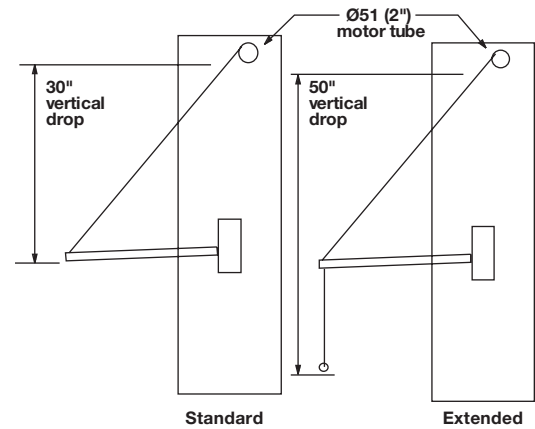
Dimensions in mm
 Inches are approximate

Motorized Lift

- Store items with the ease of motorization
- For use when greater weight capacity is required
- Store clothing in higher spaces when there is limitation in reach and/or strength
- Accessible without the use of a ladder



4



Motorized Wardrobe Lift

- Motorized 110v, electrical plug included but can be hardwired by electrician (220v available on special order)
- Wireless remote, programs upward and lower range of motion

Material: Arms and Cross Bars: Steel; Housing: Plastic

Lift	Width	Weight capacity	Vertical Lowering Range of clothes rail	Tube	Arm	Housing	Item No.
Standard	635-686 (25"-27")	60 lbs.	762 (30")	chrome	chrome	black	805.32.251
				chrome	black	black	805.32.351
				chrome	chrome	white	805.32.661
	864-1219 (34"-48")	60 lbs.	762 (30")	chrome	chrome	black	805.32.254
				chrome	black	black	805.32.354
				chrome	chrome	white	805.32.764
Extended	635-686 (25"-27")	45 lbs.	1270 (50")	chrome	chrome	black	805.32.261
				chrome	black	black	805.32.461
				chrome	chrome	white	805.32.761
	737-1219 (29"-48")	70 lbs.	1270 (50")	chrome	chrome	black	805.32.262
				chrome	black	black	805.32.362
				chrome	chrome	white	805.32.763

Supplied With

Instructions to size the unit to desired width

Dimensional data not binding. We reserve the right to alter specifications without notice.

Dimensions in mm
 Inches are approximate