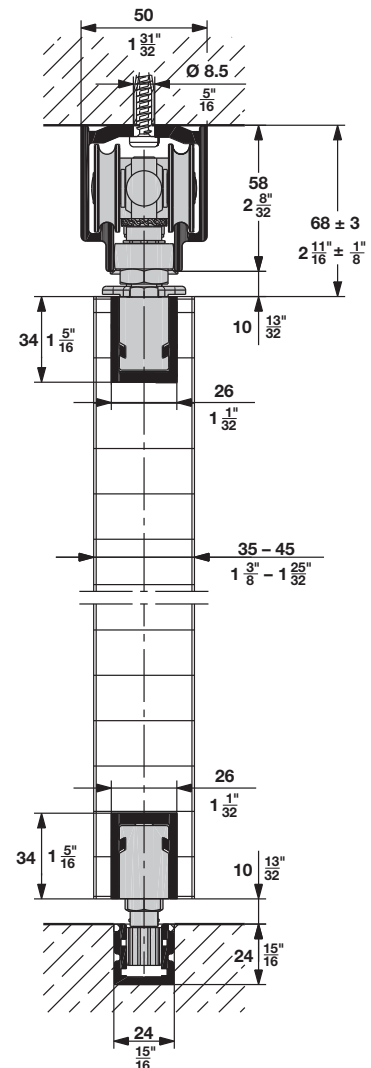
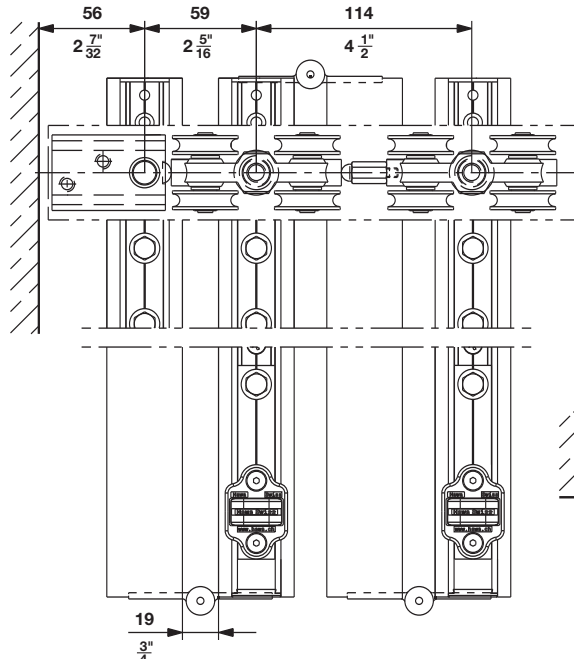
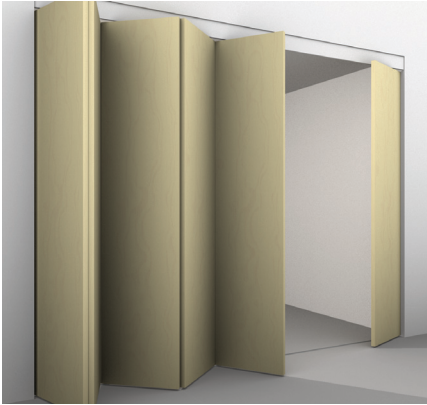


Sliding/Folding for Interior Partitions

HAWA-Variofold 80/H

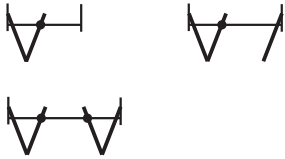
- Folding/sliding hardware for wall partitions
- For 2 – 7 folding panels
- Upper track made out of anodized aluminum
- Lower guide channel made out of anodized aluminum
- Dual running gear with ball bearings
- Minimal space required in stacking area
- Extremely quiet and smooth operation

- Maximum panel weight: **80 kg** (176 lbs.)
- Vertical adjustment: **±3 mm** (±1/8")
- Minimum door thickness: **35 mm** (1 3/8")
- Minimum panel width: **500 mm** (19 11/16")
- Maximum panel width: **900 mm** (35 7/16")
- Door thickness: **35 – 45 mm** (1 3/8" – 1 3/4")
(up to **57 mm** (2 1/4") available upon special request)



Installation examples:

- Without lower guide channel



- With lower guide channel

