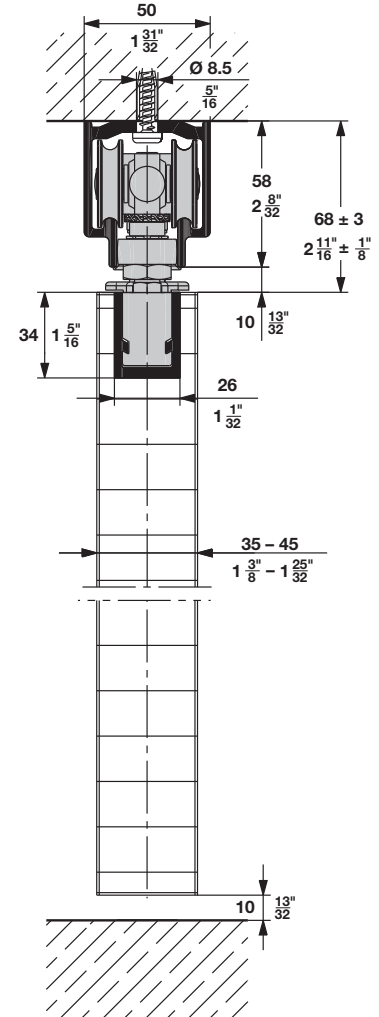
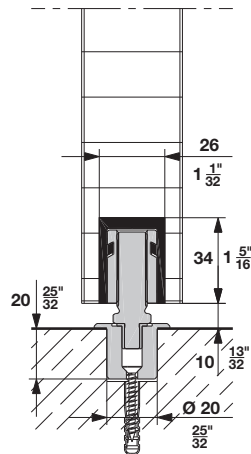
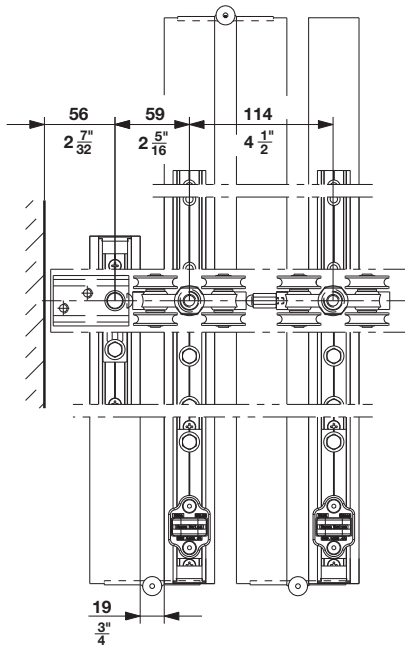
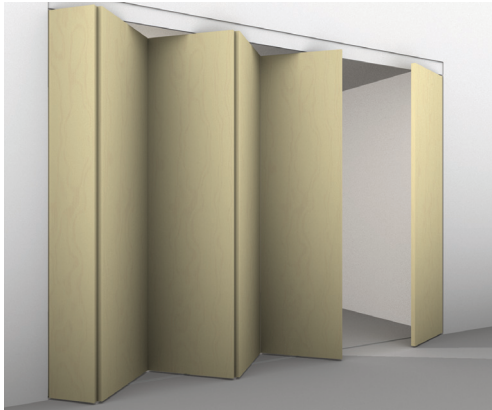


## Sliding/Folding for Interior Partitions

### HAWA-Centerfold 80/H

- Folding/sliding hardware for wall partitions
- For 1 1/2 – 6 1/2 folding panels
- Upper track made out of anodized aluminum
- Lower guide channel not required
- Dual running gear with ball bearings
- Minimal space required in stacking area
- Extremely quiet and smooth operation

- Maximum panel weight: **80 kg** (176 lbs.)
- Vertical adjustment: **±3 mm** ( $\pm 1/8"$ )
- Minimum door thickness: **35 mm** ( $1\ 3/8"$ )
- Minimum panel width: **500 mm** ( $19\ 11/16"$ )
- Maximum panel width: **900 mm** ( $35\ 7/16"$ )
- Door thickness: **35 – 45 mm** ( $1\ 3/8" - 1\ 3/4"$ ),  
(up to **57 mm** ( $2\ 1/4"$ ) available upon special request)



Dimensional data not binding. We reserve the right to alter specifications without notice.

Dimensions in mm are exact  
Inches are approximate