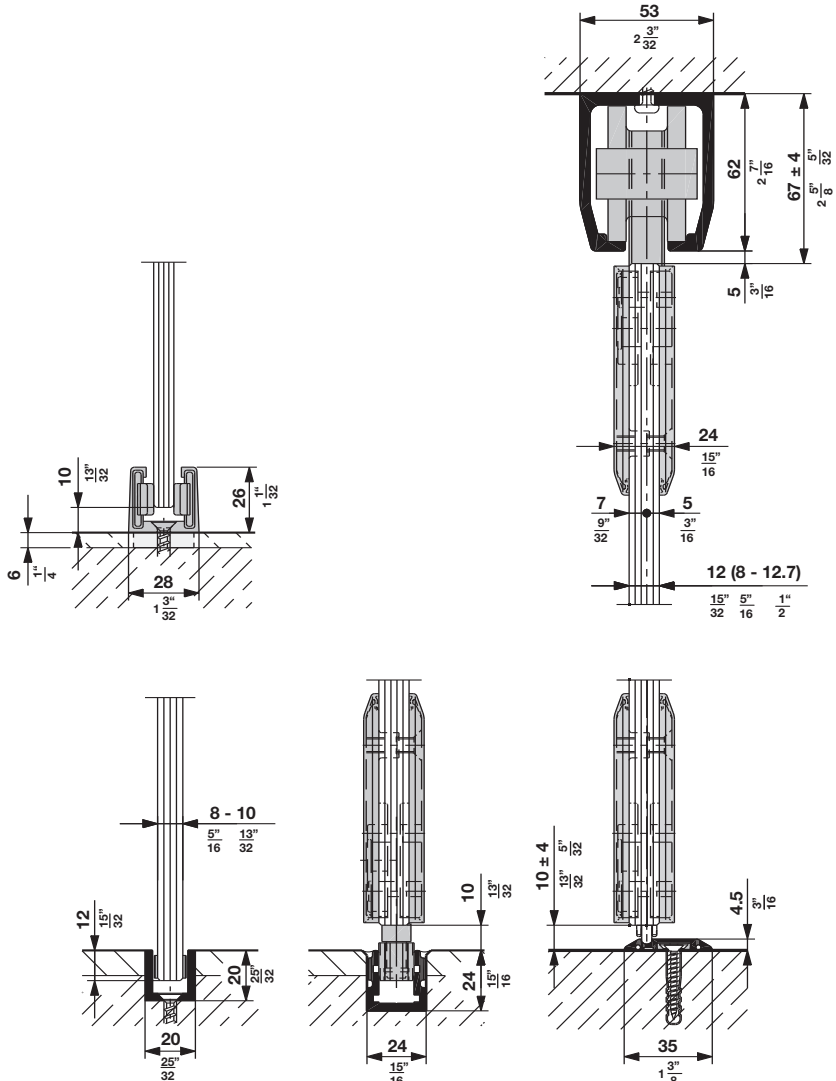
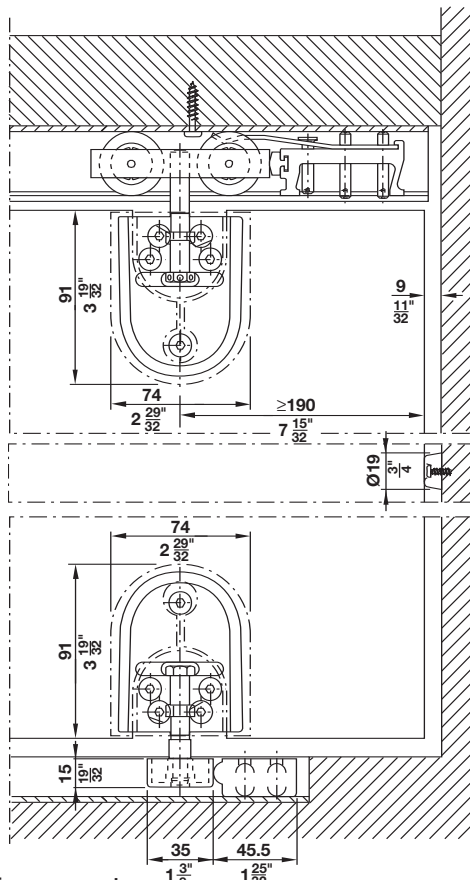
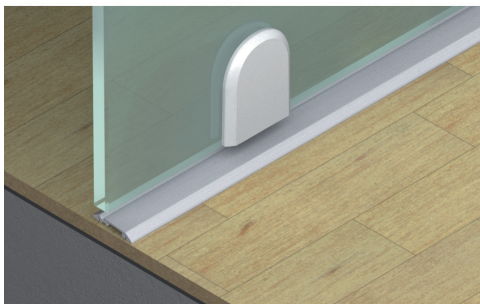
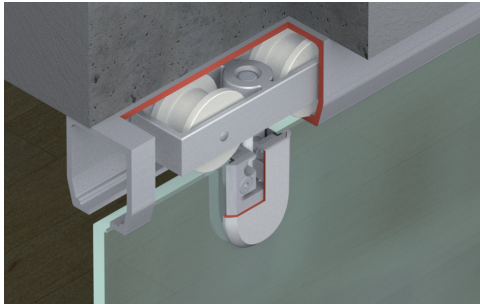


Top Hung System

HAWA-Junior 160/GP

- For 1 and 2 sliding glass doors
- Smooth, quiet operation
- Maintenance-free
- Vertical adjustment without removing the glass door
- Low installation height
- Rattle-free lower guide

- Simple installation
- Maximum door weight: **160 kg** (352 lbs.)
- Glass thickness:
Tempered glass: **8,10, 12, 12.7 mm** (5/16" - 1/2")
Laminated glass: **8.7 - 12.7 mm** (5/16" - 1/2")



Dimensions in mm are exact
Inches are approximate

Dimensional data not binding. We reserve the right to alter specifications without notice.