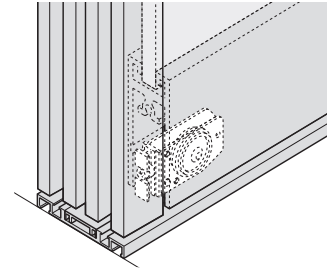


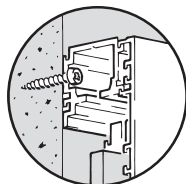
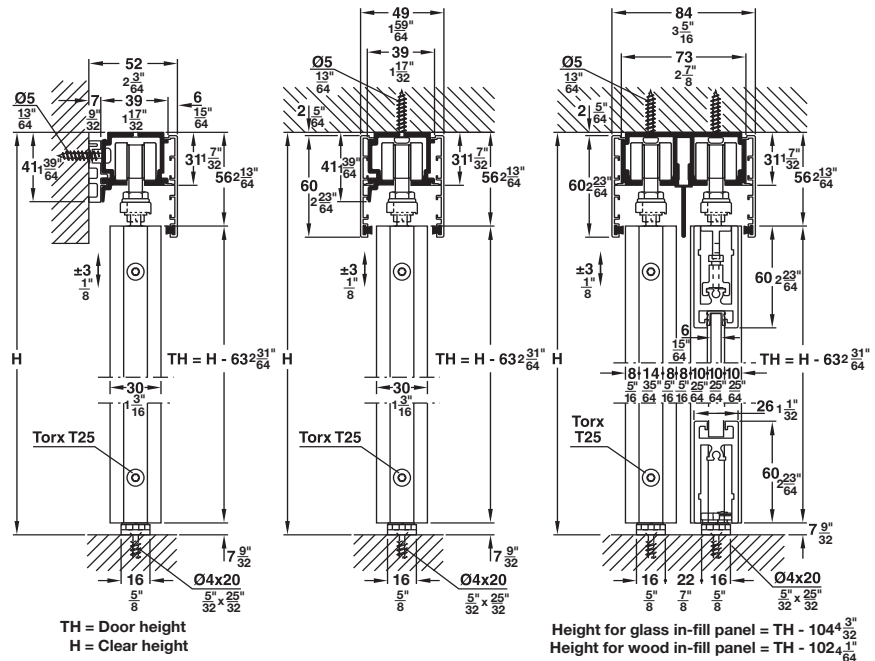
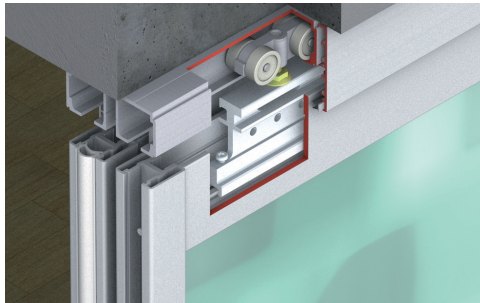
### Top Hung System

#### EKU-Divido 100/RSO

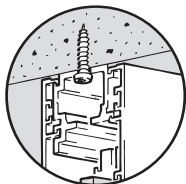
- For aluminum frame glass doors
- Suitable for 1 – 4 sliding doors
- Allows for wood and glass sliding door combinations
- Single upper running track can be ceiling or wall mounted
- Dual upper running track is ceiling mounted
- Maximum door weight: **100 kg** (220 lbs.)
- Maximum door height: **2750 mm** (9' 1/4")
- Maximum door width: **1200 mm** (3' 11 1/4")
- Door thickness, aluminum frame: **30 mm** (1 3/16")
- Height adjustability: **+/- 3 mm** (1/8")



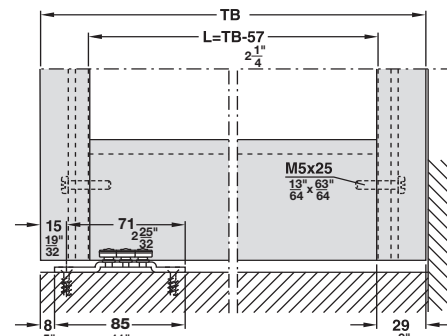
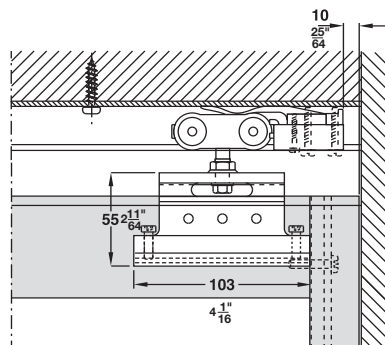
For door widths greater than 900 mm (35 7/16") it is recommended to use an additional lower guide. Refer to page 408 for detail.



Wall mounted



Ceiling mounted



Dimensions in mm are exact  
Inches are approximate