

Pocket Door Framing Kit Futura

For HAWA-Junior 40/Z and 80/Z

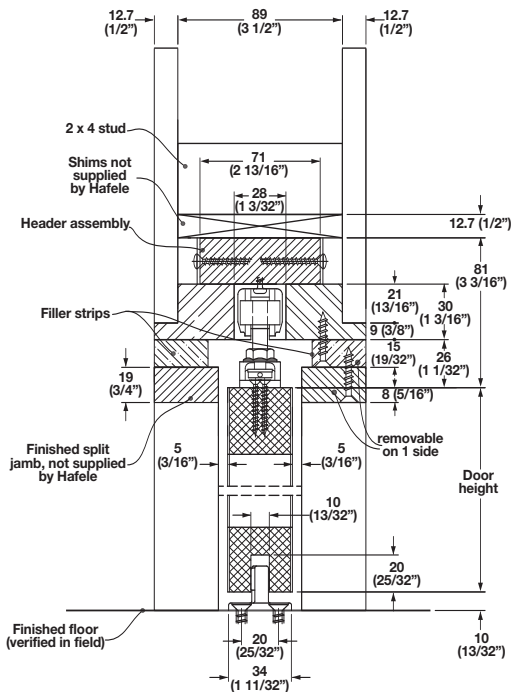
- Designed to fit into standard 2x4 wood or steel constructed interior walls
- Provides an efficient way to save space in tight room designs
- Specially engineered, cold-formed, zinc-plated steel studs prevent bowing of the pocket walls
- Front steel studs have a special pocket to receive 1/2" thick sheetrock
- Simple and straightforward installation
- Wood header is produced out of plywood in order to prevent warping
- Exposed part of wood header is laminated to match the color of the sliding track
- Suitable for sliding doors installed into dining rooms, doors into kitchens, bathrooms, closets or master bedrooms
- Suitable for door weights of up to either: **40 kg or 80 kg** (88 lbs. or 176 lbs.)
- Door width: **610 mm – 1219 mm** (24" – 48")
- Door height: **2032 mm – 2438 mm** (80" – 96")
- Door thickness: **up to 44 mm** (1 3/4")



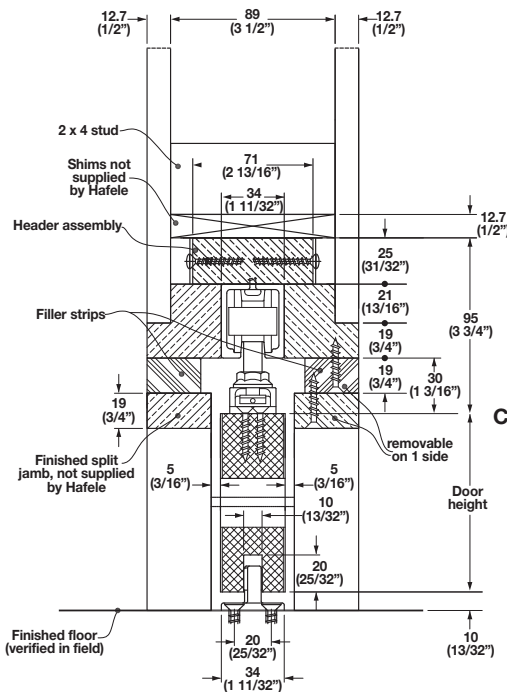
ADA compliant:
Sliding hardware requires less than the 5 lbf. (22.2 N) mandated opening and closing force per ADA.



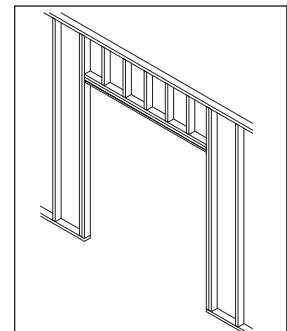
HAWA-Junior 40/Z



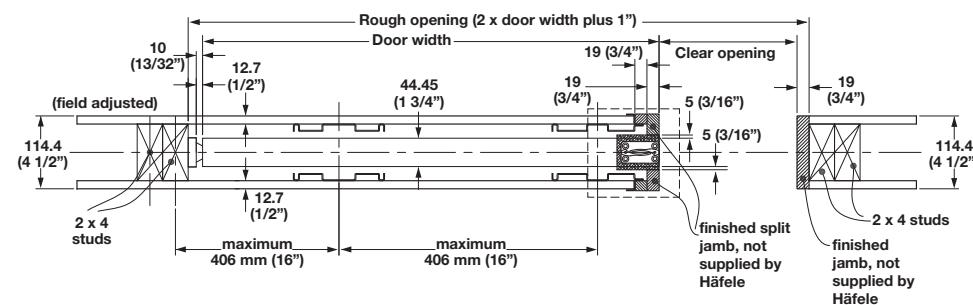
HAWA-Junior 80/Z



Construction of rough opening:



Pocket door dimensions for HAWA Junior 40/Z and HAWA Junior 80/Z based on standard door sizes.



Single Pocket Door

Rough opening width =
2 x door width + 25.4 mm (1")

Bi-parting Pocket Doors

Rough opening width =
4 x door width + 12.7 mm (1/2")

Rough opening height =

- Door height + 132 mm (5 3/16") for **HAWA-Junior 40/Z**
- Door height + 146 mm (5 3/4") for **HAWA-Junior 80/Z**

Dimensional data not binding. We reserve the right to alter specifications without notice.

Dimensions in mm are exact
Inches are approximate

Pocket Door Framing Kit Futura



Order Specifications:

- Appropriate Futura framing kit, depending on weight, width and height of the sliding door
- HAWA–Junior 40/Z or 80/Z complete fitting sets (refer to pages **164–165** and **174–175**)

Futura Pocket Door Framing Kit

	Type I	Type II	Type III	Type IV	Type V
Item No.	940.94.001	940.94.002	940.94.003	940.94.004	940.94.005
Used with HAWA Junior track set (order separately)	Jr. 40	Jr. 40	Jr. 80	Jr. 80	Jr. 80
Door weight:	up to 40 kg. (88 lbs.)	up to 40 kg. (88 lbs.)	up to 80 kg. (176 lbs.)	up to 80 kg. (176 lbs.)	up to 80 kg. (176 lbs.)
Door height:	up to 2032 (80")	2032 - 2438 (80" - 96")	up to 2032 (80")	2032 - 2438 (80" - 96")	up to 2438 (96")
Door width:	610 - 914 (24" - 36")	610 - 914 (24" - 36")	610 - 914 (24" - 36")	610 - 914 (24" - 36")	914 - 1219 (36" - 48")

Packing: 1 set (includes mounting instructions)

Order Specifications:

- Appropriate Futura framing kit, depending on weight, width and height of the sliding door

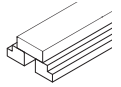
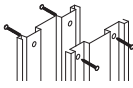
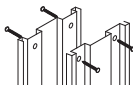


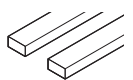
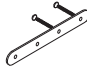
Futura Pocket Door Framing Kit including Junior 40/Z and 80/Z Sliding Hardware

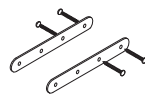
	Type I (Jr. 40)	Type II (Jr. 40)	Type III (Jr. 80)	Type IV (Jr. 80)
Item No.	940.94.101	940.94.102	940.94.103	940.94.104
Door panel width: Track length:	up to 100 cm (39 3/4") 2.0 m (6' 6 3/4")			
Door weight:	up to 40 kg. (88 lbs.)	up to 40 kg. (88 lbs.)	up to 80 kg. (176 lbs.)	up to 80 kg. (176 lbs.)
Door height:	up to 2032 (80")	2032 - 2438 (80" - 96")	up to 2032 (80")	2032 - 2438 (80" - 96")
Door width:	610 - 914 (24" - 36")	610 - 914 (24" - 36")	610 - 914 (24" - 36")	610 - 914 (24" - 36")

Packing: 1 set (includes mounting instructions)

Pocket Door Framing Kit Futura

Components

			Type I	Type II	Type III	Type IV	Type V
Description	Variant	Material/Finish/Color	Qty.	Qty.	Qty.	Qty.	Qty.
 Header assembly plywood construction with gray laminated face, cut to size	Type I, II 1854 (6' 1") Type III, IV 1854 (6' 1") Type V 2464 (8' 1")		1 pc.	1 pc.	1 pc.	1 pc.	1 pc.
 Front vertical stud, cold-formed, with wood strip to attach split jamb	2151 (7' 11/16"), Jr. 40 2557 (8' 4 11/16"), Jr. 40 2165 (7' 1 1/4"), Jr. 80 2572 (8' 5 1/4"), Jr. 80	steel, zinc-plated	2 pcs.	2 pcs.	2 pcs.	2 pcs.	2 pcs.
 Back vertical stud, cold-formed	2151 (7' 11/16"), Jr. 40 2557 (8' 4 11/16"), Jr. 40 2165 (7' 1 1/4"), Jr. 80 2572 (8' 5 1/4"), Jr. 80	steel, zinc-plated	2 pcs.	2 pcs.	2 pcs.	2 pcs.	4 pcs.
 Front floor plates		plastic, black	2 pcs.	2 pcs.	2 pcs.	2 pcs.	2 pcs.
 Back floor plates		plastic, black	2 pcs.	2 pcs.	2 pcs.	2 pcs.	4 pcs.
 Wood filler strip, cut to size	937 x 30 x 15 (36 7/8" x 1 3/16" x 5/8") 937 x 30 x 19 (36 7/8" x 1 3/16" x 3/4") 1241 x 30 x 19 (48 7/8" x 1 3/16" x 3/4")		2 pcs.	2 pcs.	2 pcs.	2 pcs.	2 pcs.
 Joining plate for bi-parting doors includes mounting screws (3.5 x 30 mm) flat head		steel, zinc-plated	1 pc.	1 pc.	1 pc.	1 pc.	1 pc.
Mounting screws to attach floor plates to sub floor, 4.5 x 25 (1") pan head		steel, zinc-plated	1 set (12 pcs.)				
Mounting screws to attach upper track to header assembly, 4.5 x 25 (1") pan head		steel, zinc-plated	1 set (15 pcs.)				
Mounting screws to attach vertical steel studs to header assembly, 4.5 x 25 (1") pan head		steel, zinc-plated	1 set (12 pcs.)				
Self-tapping mounting screws to attach gypsum board to vertical steel studs, 4.2 x 19 (3/4") flat head		steel, zinc-plated	1 set (75 pcs.)				
Mounting screws to attach filler strip, 3.5 x 30 (1 3/16") flat head		steel, zinc-plated	1 set (8 pcs.)				



Joining Plate Kit

For bi-parting sliding door applications
Material: steel

Finish	Item No.
zinc-plated	940.94.090

Packing: 1 set (includes mounting screws)

Applications:

Single Sliding Pocket Doors

Bi-parting Sliding Pocket Doors

