

Slido Classic 60-P Set

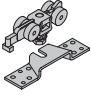
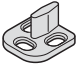
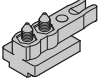
- For a single sliding door without running track

Version	Item No.
A, without Soft Close	940.60.006

Note

For 2 bi-parting and bypassing sliding doors, please order 2 sets

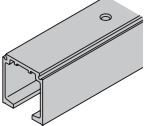

Set Components

	Description	Material	Finish/Color	Qty.	Item No.
	Running gear, suspension screw with nut, support flange for screw-mounting, without soft and self-closing mechanism	Steel	galvanized	2 pcs.	940.60.016
	Floor guide	Plastic	gray	1 pc.	940.42.031
	Track stopper with retaining spring and rubber bumper	Plastic	gray	2 pcs.	940.42.040

Note

Item numbers are valid only for one piece, when ordering individual components, please state the desired amount

Individual Components

	Description	For door weight	Material	Finish	Length	Item No.
	Single upper track, pre-drilled, (W x H) 31 x 33 (1 1/4" x 1 5/16")	40 – 100 kg (88 – 220 lbs.)	Aluminum	mill	2 m (6' 6 3/4")	940.43.921
					2.5 m (8' 2 7/16")	940.43.926
					3 m (9' 10 1/8")	940.43.931
				clear anodized	6 m (19' 8 1/4")	940.43.961
					2 m (6' 6 3/4")	940.43.922
					3 m (9' 10 1/8")	940.43.932
6 m (19' 8 1/4")	940.43.962					
	Adjustable wall mounted guide (L x H) 64 x 68 (2 1/2" x 2 11/16")	–	Steel	bronze	–	940.40.073

Complete Set

Version	Item No.
A, without Soft Close	499.72.033

Supplied with

2 m (6' 6 3/4") mill finish upper track
Mounting screws

Additional upper tracks, mounting options and accessories pages 1.50-1.54

Dimensional data not binding. We reserve the right to alter specifications without notice.