

SLIDING DOUBLE WASTE BINS

Installation Instructions

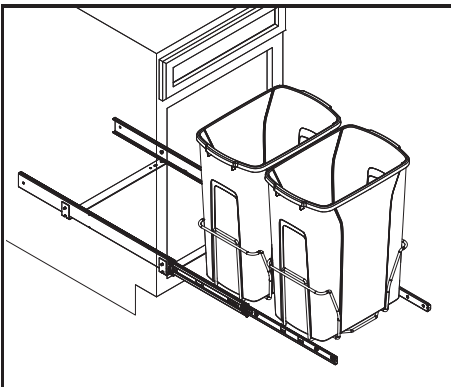
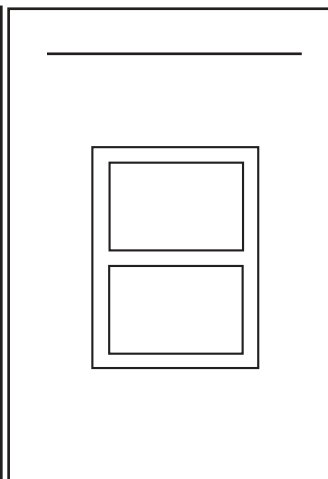
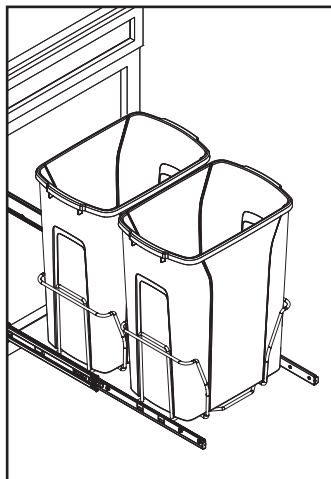
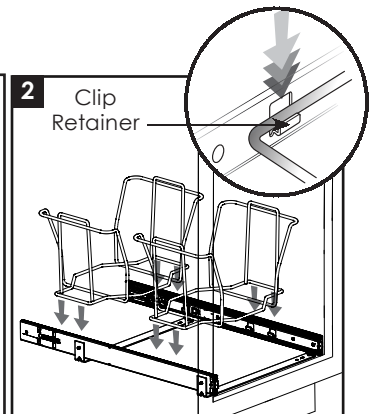
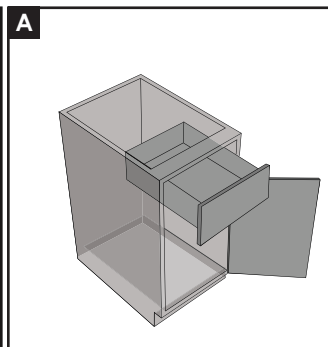
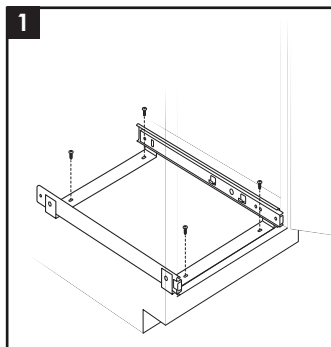
Inspect all parts and read all instructions prior to beginning assembly and installation.

- 1 Place sliding base assembly on cabinet floor, in desired position. Position front Mounting Strap against the back edge of the cabinet face frame. If installing in a frameless cabinet, **A** measure 1/2" to 3/4" back from front of cabinet opening, and align sliding base assembly parallel to cabinet opening. Close door to make sure the assembly will not hold cabinet door open. Also, check to see if unit will clear the door opening when fully extended. Once position is determined, fasten in place using four mounting screws provided and a Phillips head screwdriver.

Optional Step:

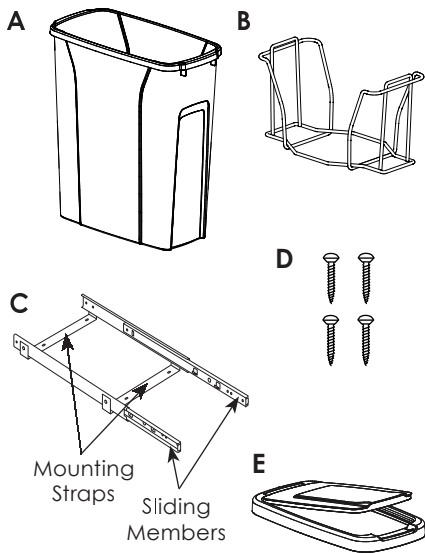
Mark placement of mounting holes with a pencil, remove sliding base assembly and drill pilot holes for fastening screws. Place sliding base assembly back into position and fasten with the provided screws.

- 2 If sliding members are fully extended, close unit so that the rear cage clip retainer—built into the side of the sliding members—are inside the cabinet. Beginning with the rear-most wire cage, hold the cage over the sliding base assembly so that the cage aligns with the clip retainer. The orientation of your bins is demonstrated in the top view chart below. Pushing firmly, lower wire cage into clip retainers until fully seated. (NOTE: Never install wire cage(s) when slides are extended.) Close unit completely and install front-most wire cage in the same manner. Insert bins into cages, place lids on top of bins (if supplied) to complete the installation. If your unit did not come pre-packed with lids and you would like lids, visit www.kv.com to purchase the lids you require.



Parts Included

- A. Waste Bins (2)
- B. Wire Cages (2)
- C. Sliding Base Assembly (1)
- D. Mounting Screws (4)
- E. Lids (if supplied)



Tools Required

- Phillips Head Screwdriver

Optional

- Drill with 1/16" (1.5mm) bit for drilling pilot holes
- Pencil

Product Assemblies

- PSW15-2-20
- PSW15-2-35
- PRC12-2-27

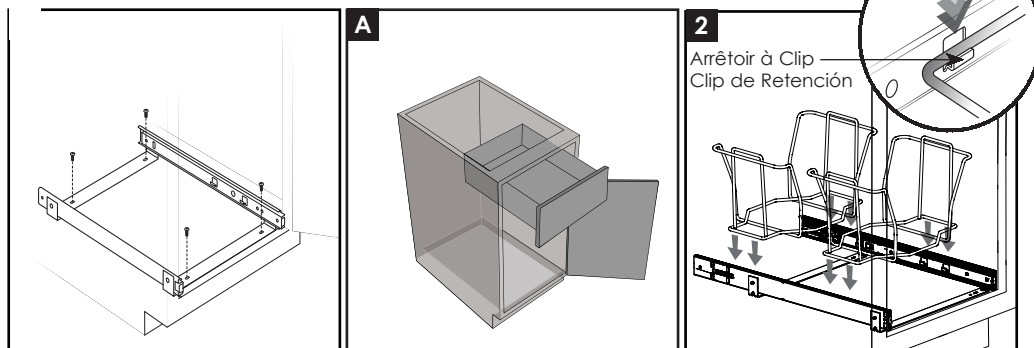
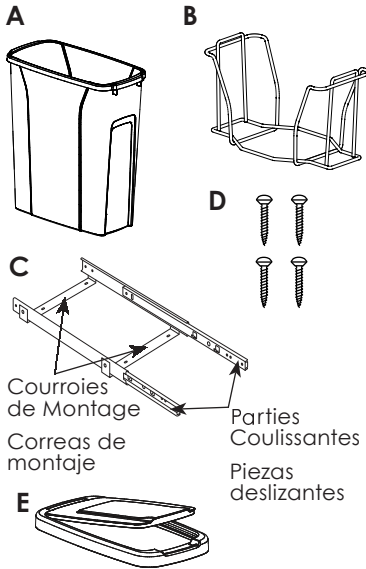


Notice de Montage

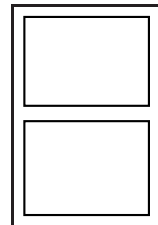
Inspectez toutes les pièces et lisez toutes les instructions avant de procéder à l'assemblage et à l'installation.

Étape 1

Placez le support de glissières (C) sur la surface inférieure de l'armoire, à la position désirée. Alignez l'avant du support de glissières avec l'arrière du cadre de la porte. Si l'armoire est sans cadre **A**



Vue en Plan / Vista Superior



Largeur totale de l'armoire:
15 & 18 po

Ancho total del gabinete:
38.1 & 45.7 cm