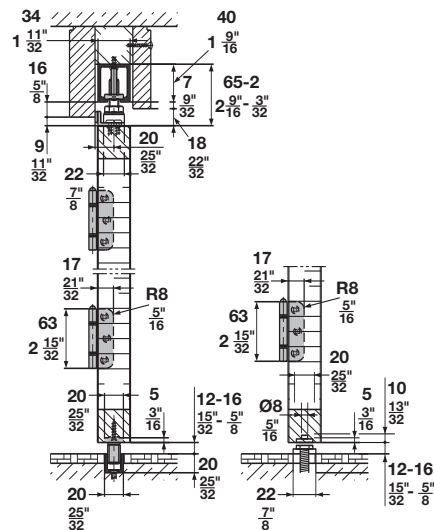
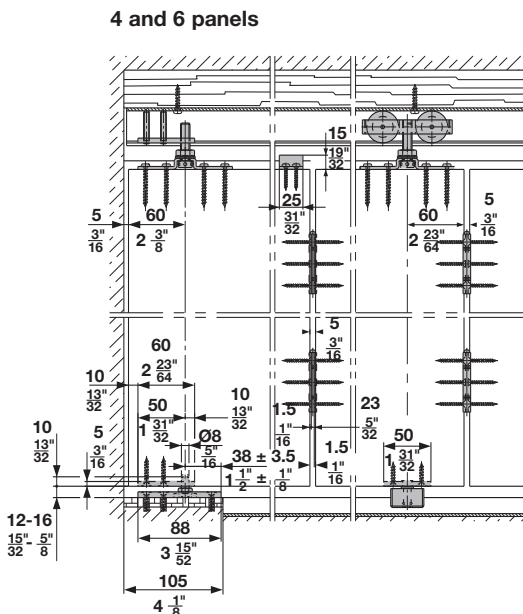
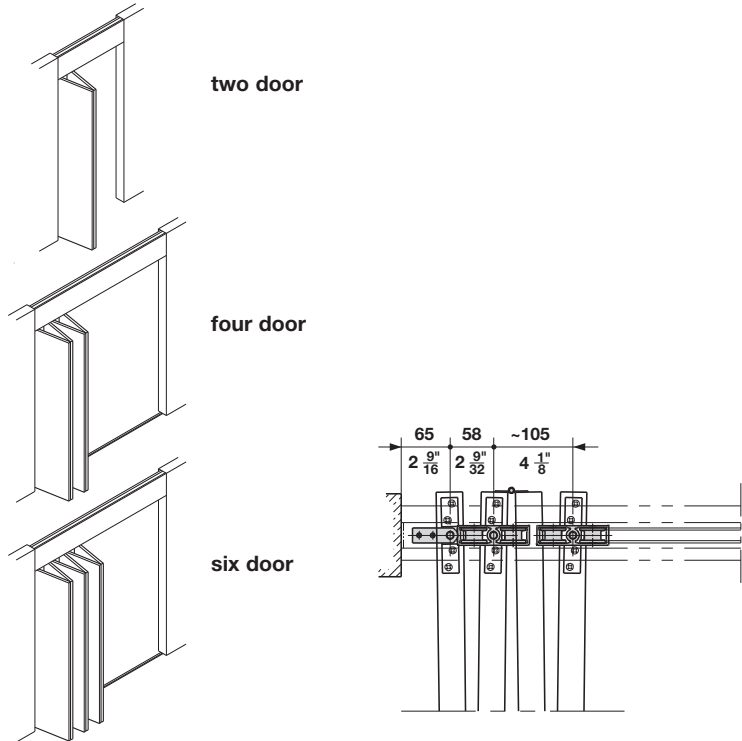
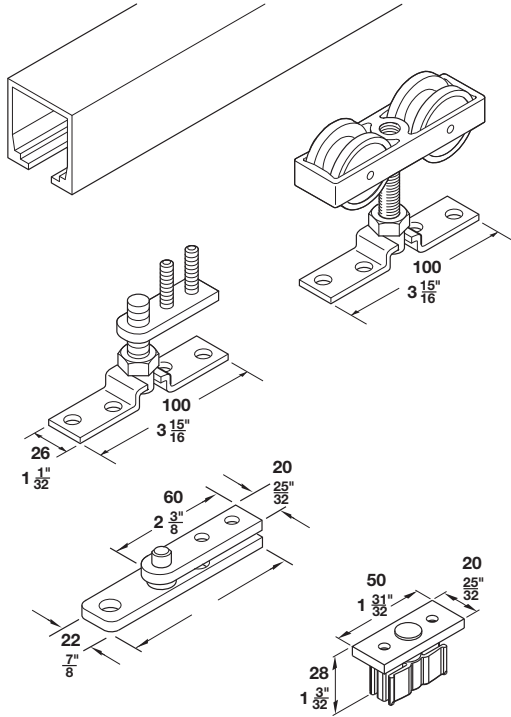


Sliding/Folding for Interior Partitions

HAWA-Bifold 30

- For 2, 4 and 6 door installation
- Fittings are surface mounted, no rabbeting or grooving required
- Smooth and quiet operation
- Two door application can be installed without lower guide channel
- Left and right interchangeable
- 2 door system: Maximum door weight: **40 kg** (88 lbs.) per door leaf
- 4 and 6 door systems: Maximum door weight: **30 kg** (66 lbs.) per door leaf
- For door thickness from: **26 - 45 mm** (1" - 1 3/4")
- Maximum door width: **600 mm** (23 5/8")



Dimensions in mm are exact
Inches are approximate