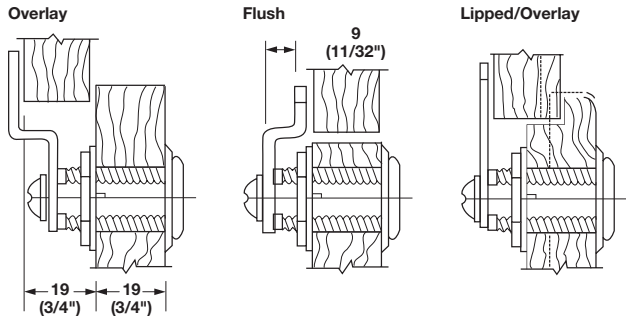


National Locks C Series



- > Cam Lock, for wood or metal
- > For right or left handed doors with lipped/overlay construction (straight cam) or flush construction (formed cam)
- > For overlay application, the combined thickness of front and frame cannot exceed the cylinder length

Note

Custom Master keying available upon request.

→ C8053 Cam Locks



→ Keyed Different

- > 90° cam turn on all locks; key is removable in both locked and unlocked positions
- > Cylinder length: 30 mm (1 3/16")
- > Material thickness: max. 22 mm (7/8")
- > Material: Zinc, Nickel-plated

Finish	National No.	Item No.
bright nickel	C8053-KD-14A	235.10.620

Supplied With

2 Keys, Trim washer, 2 Cams, 2 Stop washers, Spur washer for wood mounting nut

→ Master Keyed, Keyed Different

- > Random key numbers only
- > Material: Brass-plated

Finish	National No.	Item No.
bright nickel	C8053-MKKD-14A	235.10.628

Supplied With

2 Keys, Trim washer, 2 Cams, 2 Stop washers, Spur washer for wood mounting nut

Note

Order master key separately, below.

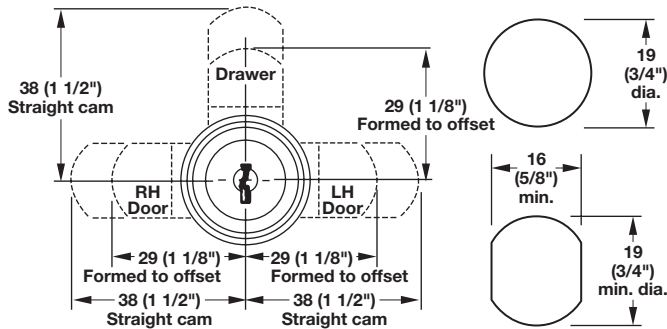
→ Keyed Alike

- > Material: Zinc/Nickel-plated

Finish	National No.	Item No.
bright nickel	C346A	235.10.621
	C390A	235.10.622
	C413A	235.10.623
	C415A	235.10.624
	C420A	235.10.625
	C642A	235.10.626

Supplied With

2 Keys, Trim washer, 2 Cams, 2 Stop washers, Spur washer for wood mounting nut



→ Master Key



- > For MKKD locks above
- > Material: Brass

National No.	Item No.
D8799	210.02.219

→ Slam Cam



- > Self-locking; Spring-loaded latch
- > Retrofit or upgrade
- > Compatible with National cam locks C8051-C8075
- > Material: Zinc/Plastic

National No.	Item No.
C7017	235.10.980

Supplied With 1 Self-locking component, 4 Spacers, 1 Washer (for C8051 and C8052 only), 3 Mounting screws

Dimensional data not binding. Dimensions in mm, inches are approximate. We reserve the right to alter specifications without notice.