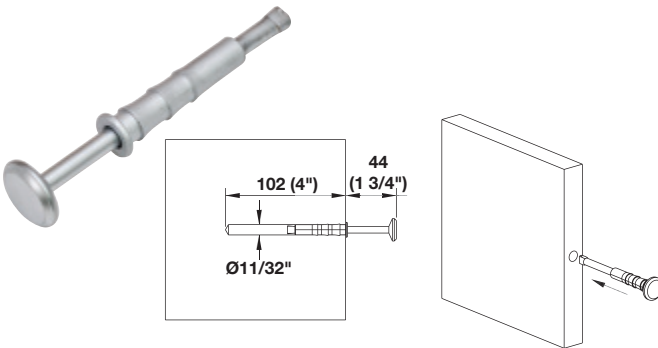


**TAG Synergy Elite**



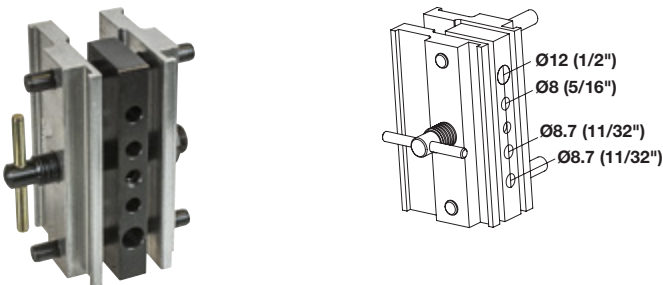
- > Provides a convenient location to hang a shirt or jacket
- > Retracts into the partition, keeping it out of the way when not in use
- > Not suitable for purses or heavy garments
- > Weight capacity: 2 kg (5 lbs.)
- > Length: 102 mm (4")
- > Extension: 44 mm (1 3/4")
- > Material: Aluminum

→ Valet Pin



| Finish        | Item No.   |
|---------------|------------|
| matt aluminum | 808.72.000 |
| chrome        | 808.72.200 |
| black         | 808.72.400 |
| matt gold     | 808.72.900 |
| matt nickel   | 808.72.600 |
| slate         | 808.72.300 |

→ Drill Jig



- > For drill bit 001.25.910, below

| Item No.   |
|------------|
| 001.25.912 |

→ Drill Bit



- > Drills holes the proper depth and diameter for the valet pins
- > For drill jig 001.25.912, above
- > Ø x Length: 8.7 x 165 mm (11/32" x 6 1/2")

| Item No.   |
|------------|
| 001.25.910 |

Dimensional data not binding. Dimensions in mm, inches are approximate. We reserve the right to alter specifications without notice.