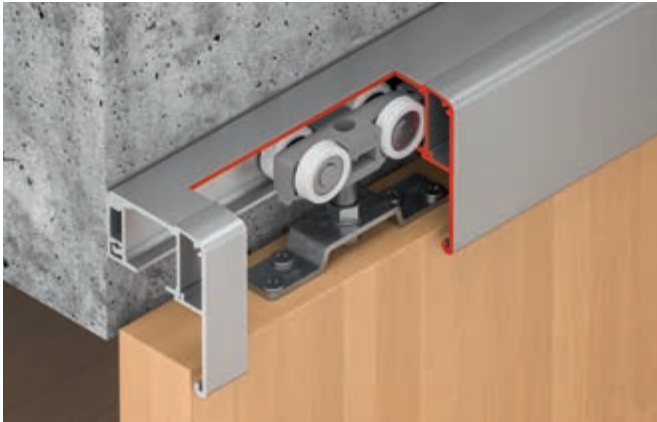


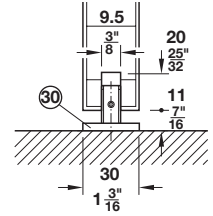
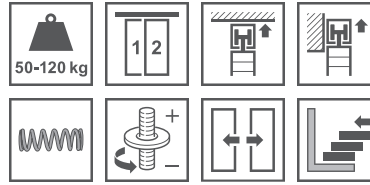
Häfele Slido D-Line11 50P-120P

1

Sliding Door Hardware



- > For 1 and 2 sliding wood doors
- > Door weight: max. 50/80/120 kg (110/176/264 lbs.)
- > Height adjustment: ± 4 mm ($\pm 5/32$ ")
- > Suspension with screwed on support flange, wall mounting and ceiling installation
- > Soft and self-closing mechanism:
 - Low opening force – easy and convenient operation
 - Tested with increased speed up to 0.5 m/s
 - Can be retrofitted or replaced at any time
- > Shock absorber:
 - Closing speed with shock absorber tested up to 0.4 m/s

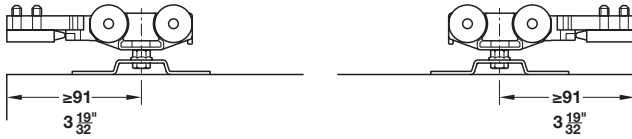


Rattle-free floor guide without guide channel

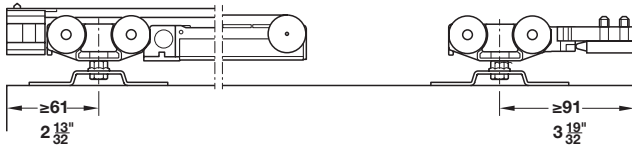
→ Soft closing versions overview

Running gear with axle bearing

Without soft and self-closing mechanism

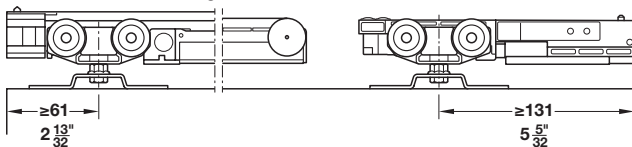


With soft and self-closing mechanism on one side

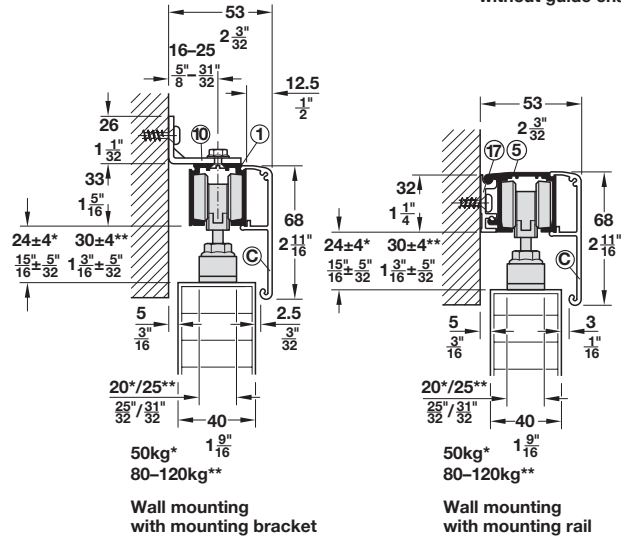
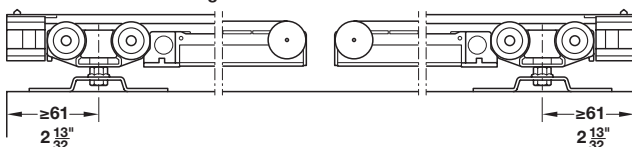


Running gear with ball bearing mounted rollers

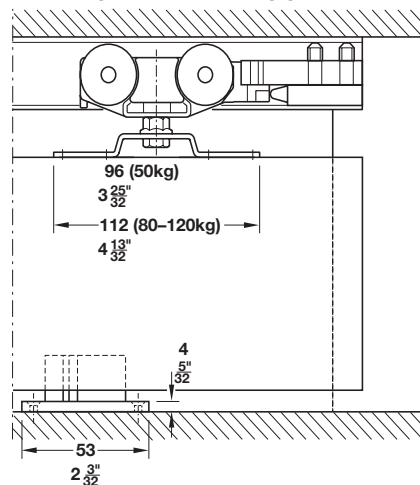
With soft and self-closing mechanism on one side and shock absorber



With soft and self-closing mechanism on both sides



Section guide and running gear



Dimensional data not binding. Dimensions in mm, inches are approximate. We reserve the right to alter specifications without notice.

Häfele Slido D-Line11 50P-120P Sets

→ Complete Sets without Upper Track and Fascias

	Version	Supplied with	Door width	50P ≤50 kg (110 lbs.) per door	80P ≤80 kg (176 lbs.) per door	120P ≤120 kg (264 lbs.) per door	
Running gear with axle bearing							
	Without soft and self-closing mechanism	Track stopper with retaining spring	2 running gears 1 rattle-free floor guide 2 track stoppers with retaining spring	≥500 mm (19 11/16")	940.42.064	940.83.005	941.02.036
	With soft and self-closing mechanism on one side	Track stopper with retaining spring	2 running gears (1 with soft and self-closing mechanism) 1 rattle-free floor guide 1 track buffer with retaining spring 1 release device with stopper for soft and self-closing mechanism	≥499 mm (19 5/8") (50 and 80 kg) ≥561 mm (22 1/16") (120 kg)	940.42.065	940.83.006	941.02.037
For 1 door	Running gear with ball bearing mounted rollers						
	With soft and self-closing mechanism on one side	Shock absorber with retaining spring	2 running gears (1 with soft and self-closing mechanism) 1 rattle-free floor guide 1 shock absorber with retaining spring 1 release device with stopper for soft and self-closing mechanism	≥558 mm (21 15/16") (50 and 80 kg) ≥620 mm (24 7/8") (120 kg)	940.42.066	940.83.007	941.02.038
	With soft and self-closing mechanism on both sides	-	2 running gears with soft and self-closing mechanism 1 rattle-free floor guide 2 release devices with stopper for soft and self-closing mechanism	≥744 mm (29 9/32") (50 and 80 kg) ≥868 mm (34 3/16") (120 kg)	940.42.067	940.83.008	941.02.039

Note

Please order track, fascias and accessories separately. Order 2 sets for bi-parting sliding doors. When using the shock absorber with retaining spring the door may not close completely if the closing speed is too low; if it is too high, the door may bounce back slightly. For sets without or with soft and self-closing mechanism on one side: Soft and self-closing mechanism or shock absorber can be retrofitted, if desired.

→ Complete Sets with Upper Track for 1 sliding door

Door panel width	Door weight	Supplied with	Item No.
Up to 1000 mm (39 3/8")	50 kg (110 lbs.)	1 fitting set 940.42.064 and 1 upper track 940.43.921	499.72.110
		1 fitting set 940.42.065 and 1 upper track 940.43.921	499.72.111
		1 fitting set 940.42.067 and 1 upper track 940.43.921	499.72.112
	80 kg (176 lbs.)	1 fitting set 940.83.005 and 1 upper track 940.43.921	499.72.120
		1 fitting set 940.83.006 and 1 upper track 940.43.921	499.72.121
		1 fitting set 940.83.008 and 1 upper track 940.43.921	499.72.122

Note

Order 2 sets for a bi-parting or a bypassing sliding door application.

→ Accessories for retrofitting

	Weight capacity	Item No.
Soft and self-closing mechanism, with release device with stopper, for clamping onto running gear	50 kg (110 lbs.)	940.42.304
	80 kg (172 lbs.)	940.83.300
	120 kg (264 lbs.)	941.02.300
Shock absorber with retaining spring, for clamping onto running gear	50 kg (110 lbs.)	940.42.305
	80 kg (172 lbs.)	940.83.301
	120 kg (264 lbs.)	941.02.301

Dimensional data not binding. Dimensions in mm, inches are approximate. We reserve the right to alter specifications without notice.