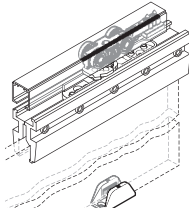




## Slido D-Line11

940.44.030	940.83.034	941.25.014
940.44.031	940.83.035	941.25.015
940.44.032	940.83.036	941.25.016
940.44.033	940.83.037	941.25.017



	A	B1	B2	E
<b>50L</b>	940.44.030	940.44.031	940.44.032	940.44.033
<b>80L</b>	940.83.034	940.83.035	940.83.036	940.83.037
<b>120L</b>	941.25.014	941.25.015	941.25.016	941.25.017

**i**

B1   B2   E

941.25.602  
941.25.603  
941.25.606

**D**

732.29.842

**i**

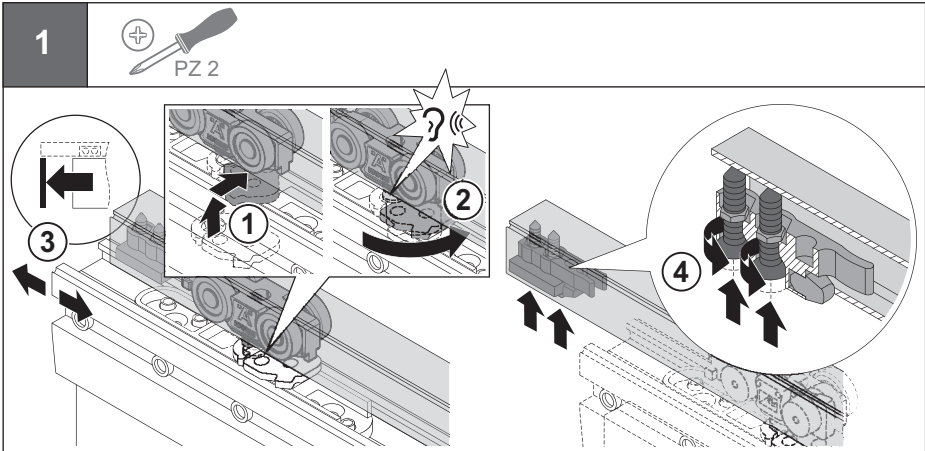
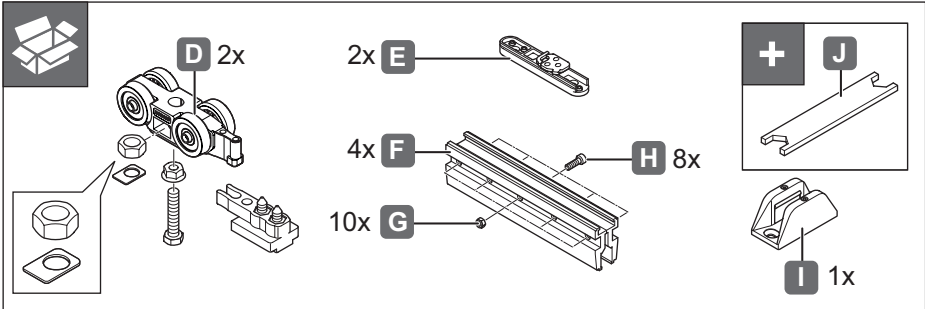
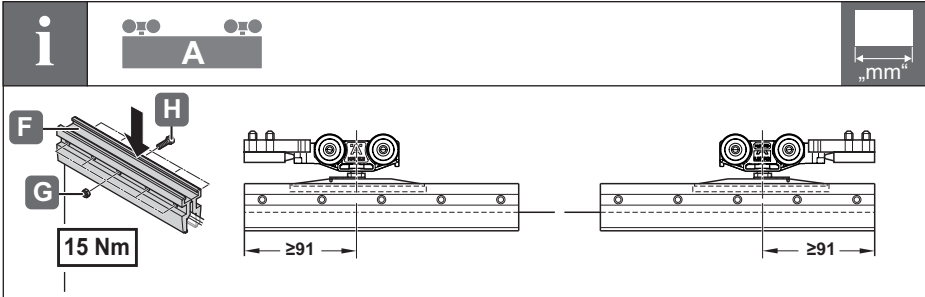
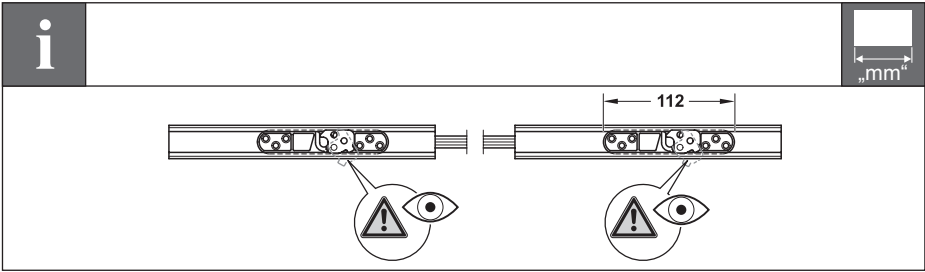
SW 3

**i**

**.mm**

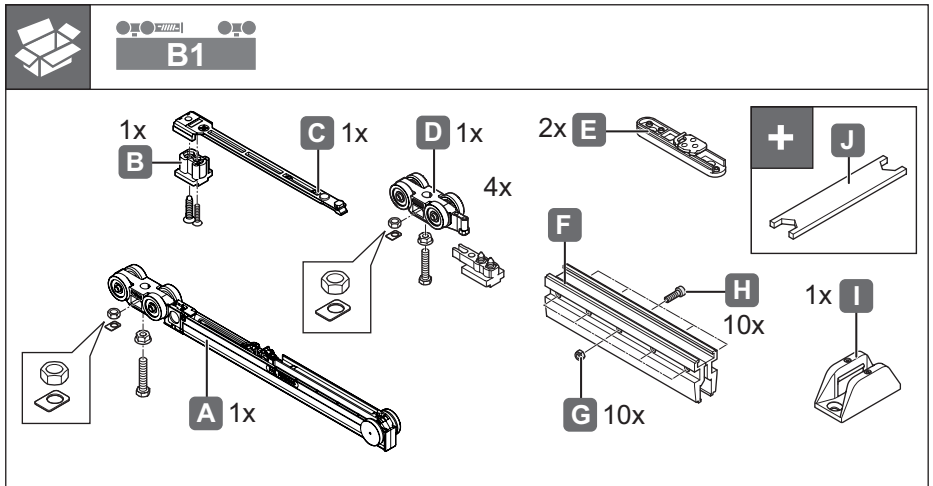
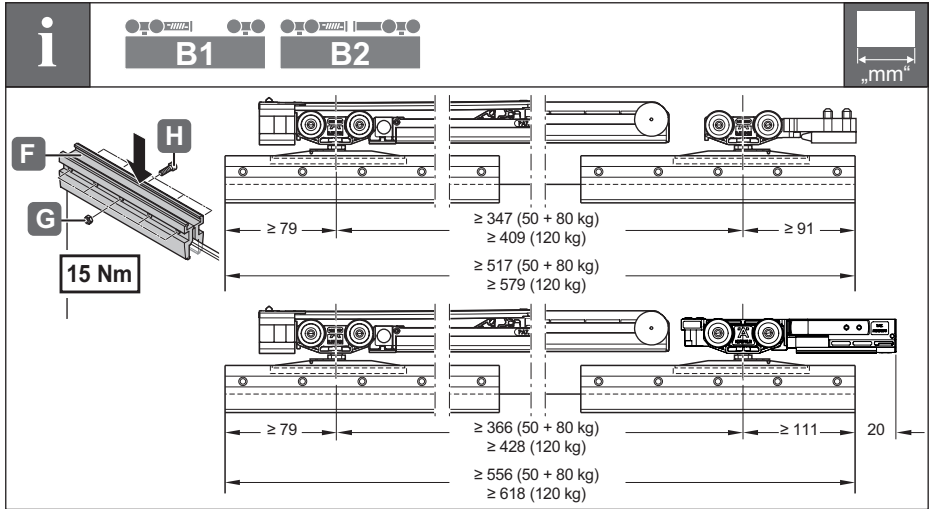
**H1 = H - 10 - 32 - 17 - 25**

HDE 01.03.2021



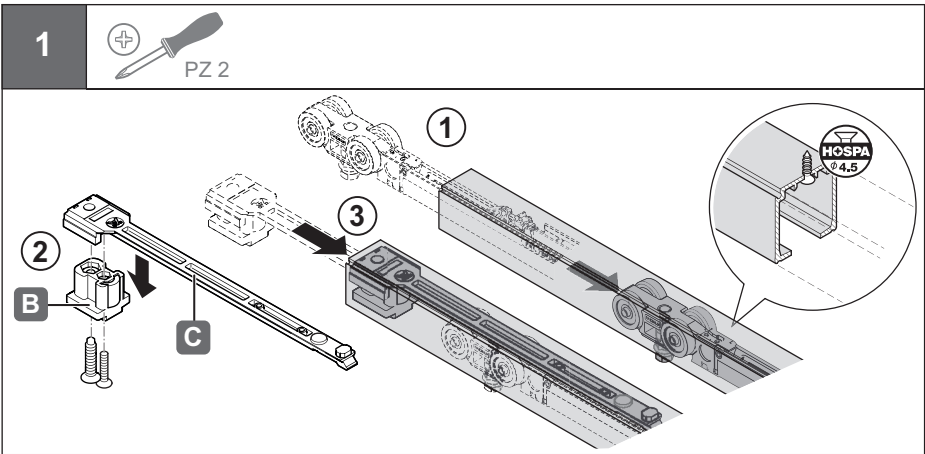
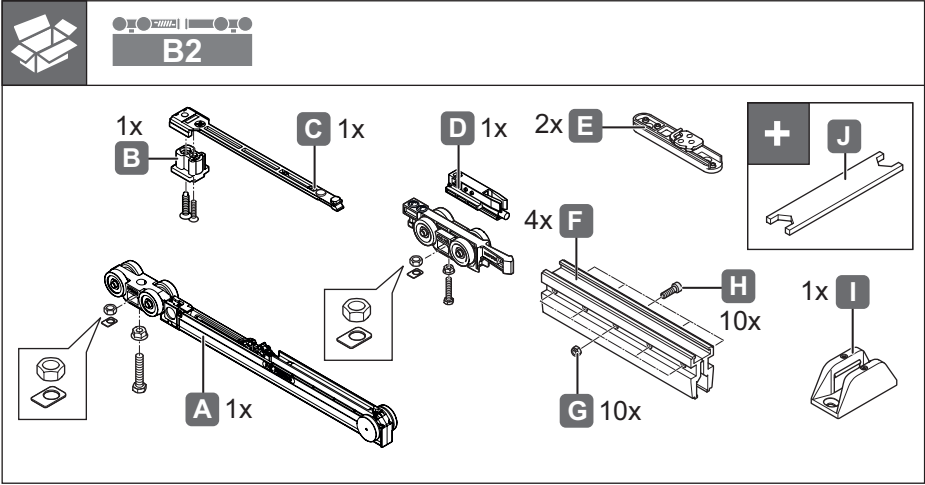
732.29.842

HDE 01.03.2021



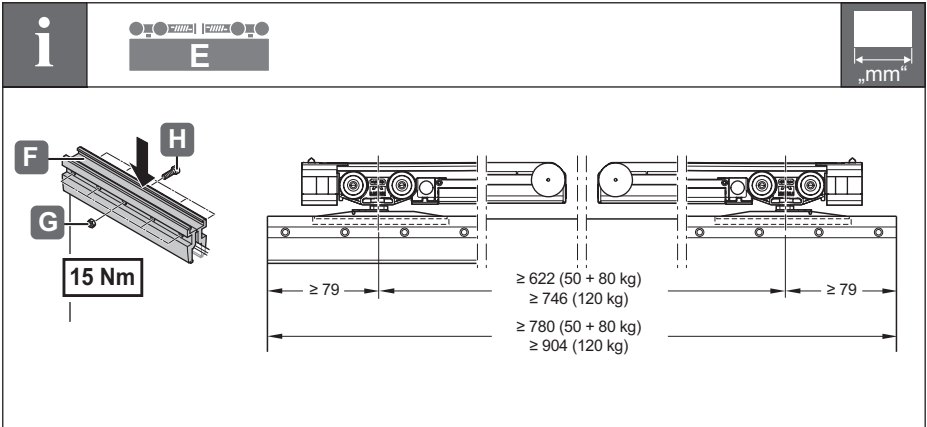
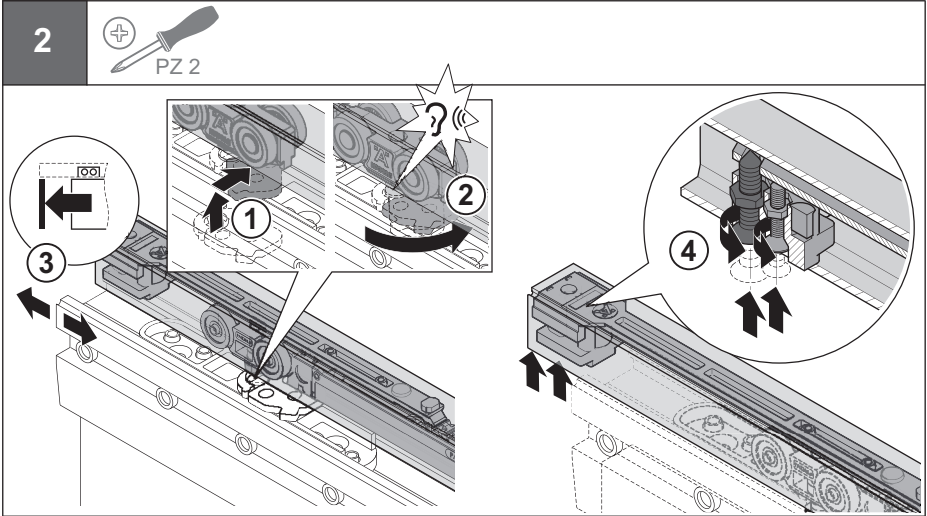
732\_29\_B-42

HDE 01\_03.2021



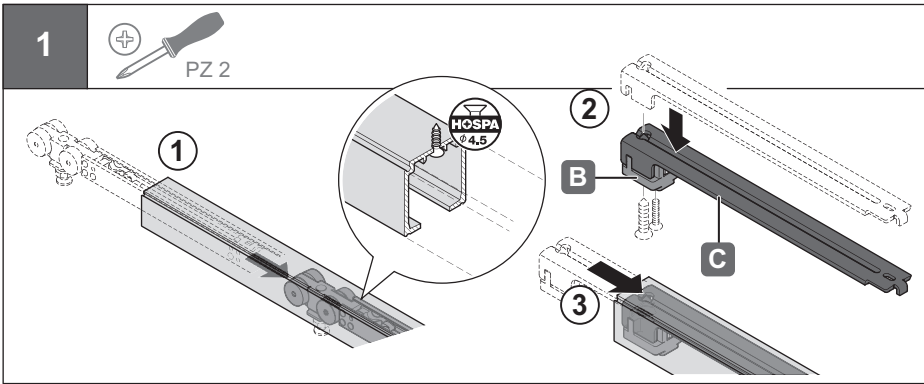
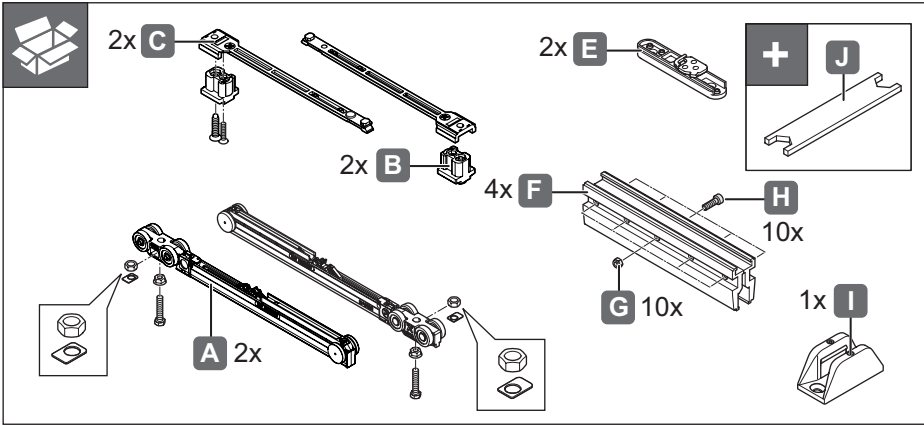
732.29.842

HDE 01.03.2021

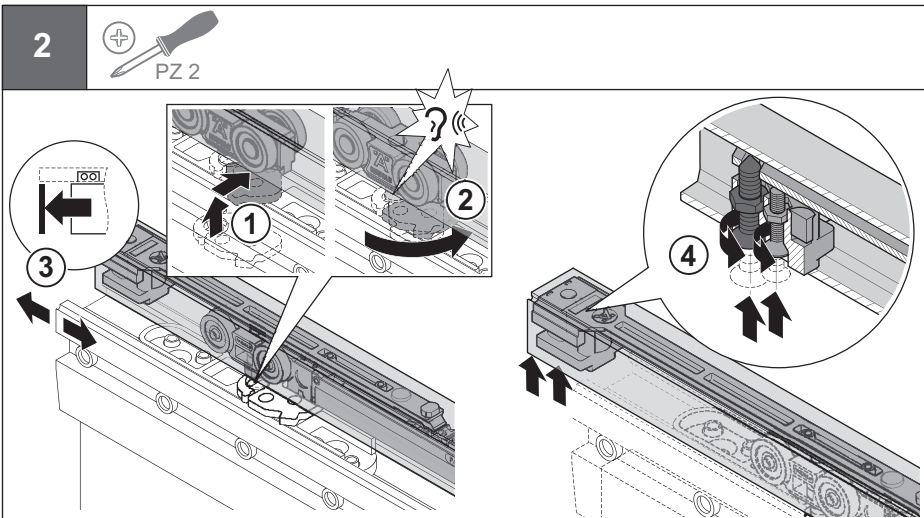


732\_29\_B-42

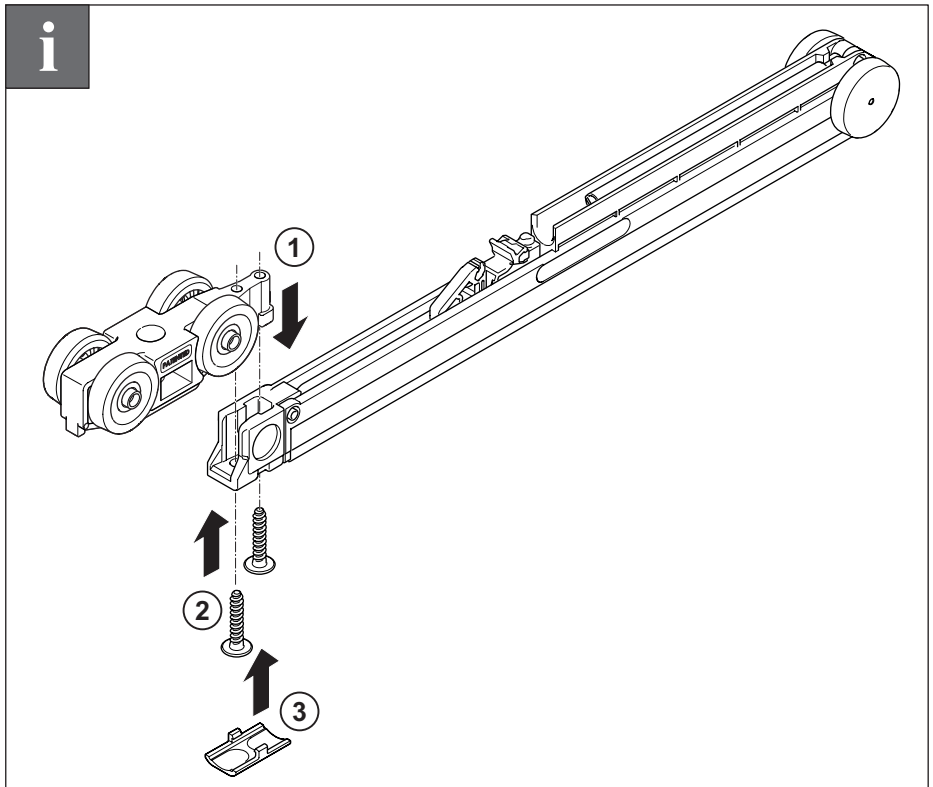
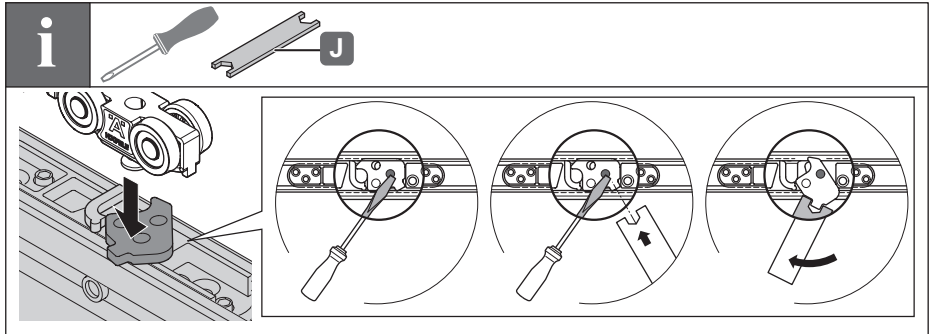
HDE 01.03.2021



732.29.842



HDE 01.03.2021



732\_29-B-42

HDE 01.03.2021

