

**Clip-on Hinge**

Opening angle: **165°**

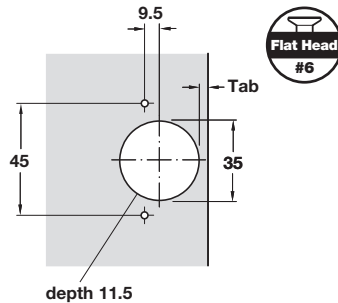
- > Side panel thickness from: 16 mm (5/8")
- > Self-close and soft close with oil damper in arm
- > Material: Steel; Finish: nickel-plated

→ **Wide Angle Hinge**

Full overlay



Inset mounting

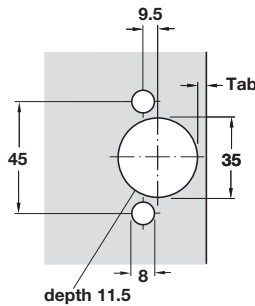


- > Screw mounted
- > Door thickness: 14–26 mm (9/16"–1")
- > For inset applications: max. door thickness 19 mm (3/4")
- > Tab: 3–7 mm (1/8"–9/32")

Mounting	Hinge arm	Hinge type	Self-close	Soft close
Full		14	315.02.500	315.02.700
Half		4	315.04.501	315.02.701
Inset		-4	315.04.502	315.02.702

→ **Wide Angle Hinge**

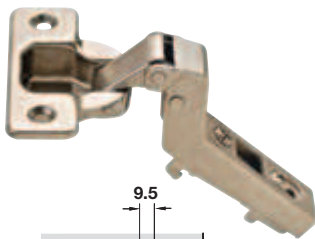
Half overlay



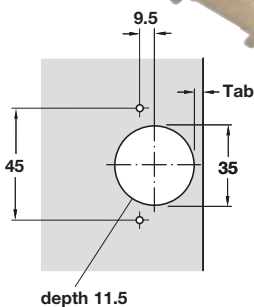
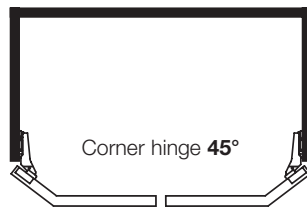
- > Press-fit, 45/9.5 hole pattern
- > Self-close

Mounting	Hinge arm	Hinge type	Item No.
Full		14	315.04.510
Half		4	315.04.511

→ **45° Corner Hinge**



Sample installations



Opening angle: **92°**

- > Screw mounted
- > Door thickness: 14–20 mm (9/16"–13/16")
- > Tab: 4–7 mm (5/32"–9/32")

Mounting	Hinge arm	Self-close	Soft close
Overlay	45° angle	315.05.511	315.01.711

Dimensional data not binding. Dimensions in mm, inches are approximate. We reserve the right to alter specifications without notice.

Mounting plates page 9.68  
 Flat head screws pages 12.7-12.8, 12.10, 12.13