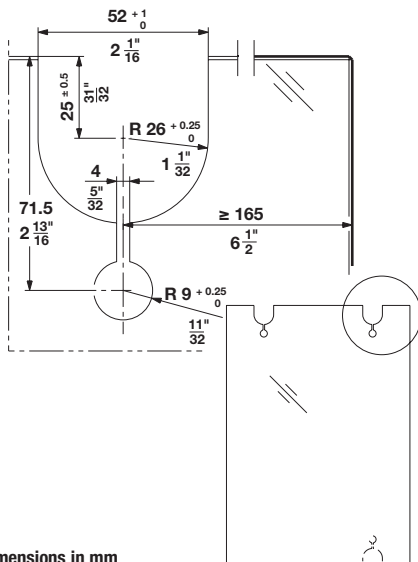


HAWA Junior 120/GP

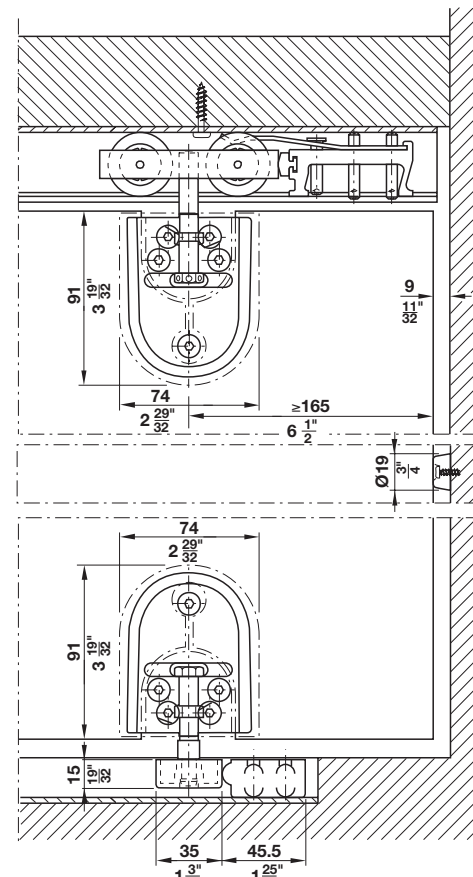
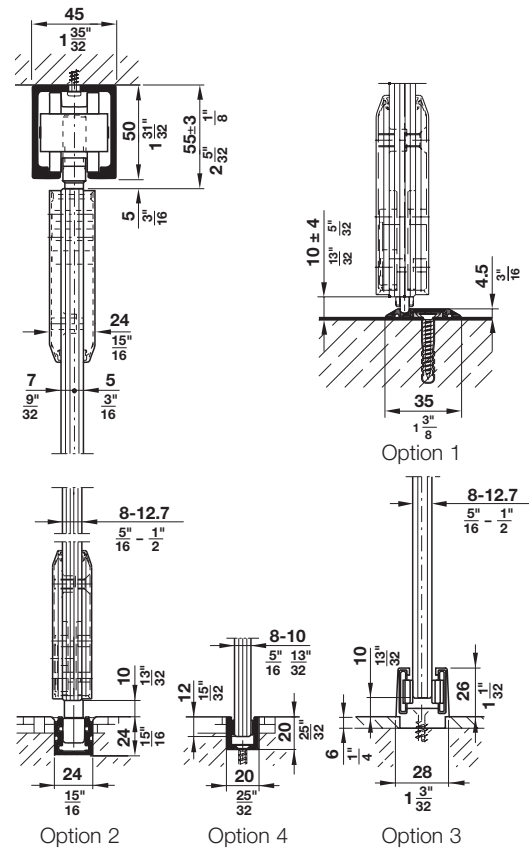
- Maximum door weight: 120 kg (264 lbs.)
- Glass thickness:
 - Tempered glass: 8, 10, 12, 12.7 mm (5/16" – 1/2")
 - Laminated glass: 8.7 – 12.7 mm (5/16" – 1/2")
 - *Maximum offset: 2 mm (7/32")
- For 1 and 2 sliding glass doors
- For laminated or tempered glass
- Smooth, quiet operation
- Maintenance-free
- Vertical adjustment without removing the glass door
- Low installation height
- Rattle-free bottom guide
- Simple installation



Required Glass Cutouts



Dimensions in mm
Inches are approximate



Dimensional data not binding. We reserve the right to alter specifications without notice.

HAWA Junior 120/GP

Set

- For 1 sliding door without upper track

	Item No.
	941.20.010

Supplied With

Mounting instructions

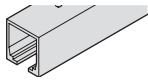
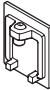
Set Components

	Description	Material	Finish	Qty.	Item No.
	Double roller running gear	-	-	2 pcs.	941.20.100
	Suspension bolt, M12, including mounting screws	-	-	2 pcs.	941.20.023
	Patch suspension	-	-	2 pcs.	940.40.038
	Track stopper with adjustable retention spring	-	-	2 pcs.	941.20.041
	One-way drilling jig	-	-	1 pc.	940.40.089
	Wall buffer	Rubber	black	1 pc.	940.40.051
	Height adjusting pin	-	-	1 pc.	940.40.090

Note

Item numbers are valid for only 1 piece, when ordering individual components please state the desired amount. For 2 bi-parting sliding glass doors, please order 2 sets.

Individual Components

	Description	Material	Finish	Length	Item No.
	Upper track, pre-drilled	Aluminum	clear anodized	3 m (9' 10 1/8")	941.20.300
				4 m (13' 1 1/2")	941.20.400
				6 m (19' 8 1/4")	941.20.600
	Cover cap to upper track	Zinc die-cast	chrome matt	-	941.20.029

Toplock	pages 1.352-1.356
Junior/GP/Fixed Glass	pages 1.272-1.273
Angle profile	page 1.288
Glass edge protection profiles	page 1.291
Floor mounted door stop	page 1.290

Dimensional data not binding. We reserve the right to alter specifications without notice.

Dimensions in mm
Inches are approximate