

**30" PULL-OUT HAMPER**  
**300.3143.[FIN]**

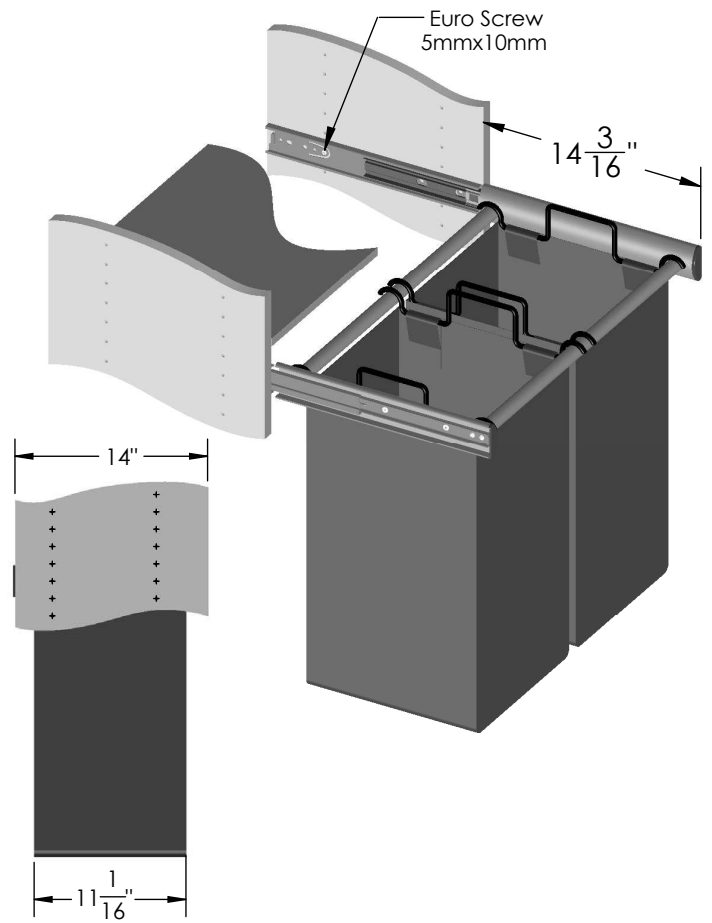
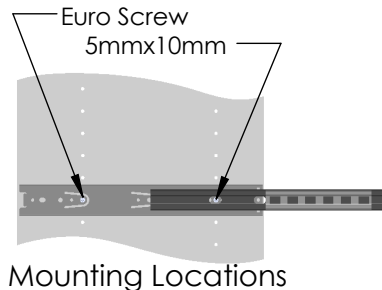
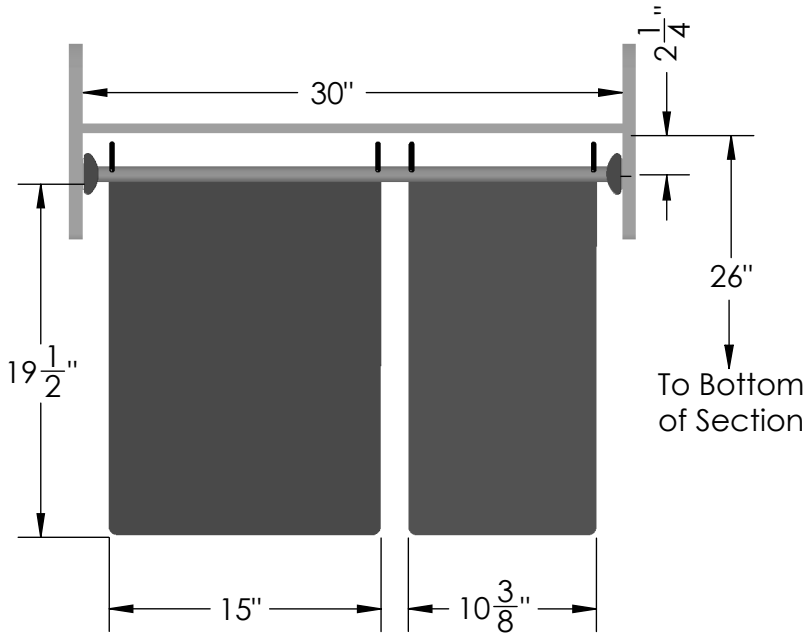
**DESCRIPTION & SPECIFICATIONS**

Sort-as-you-go with the 30" Pull-Out Hamper. The large and small removable hamper bags lift out of the frame and feature comfortable hand grips so that laundry can be easily transported.

**SIZE & CAPACITY** | 30" w 1 Large & 1 Small Hamper Bag

**AVAILABLE FINISHES** | 

Matte Aluminum, Polished Chrome, Matte Nickel, Oil Rubbed Bronze, Polished Brass, Matte Brass.



**INSTRUCTIONS & SPECIFICATIONS**

- STEP 1: Press slide leveller down and remove slide rails from the hamper.
- STEP 2: Mount slide rails to partition using euro screws.
- STEP 3: Extend the slide on the hamper and re-install on slide rail.
- STEP 4: Set hamper to fully retracted position and insert the bags.
- Four (4) #5 Euro Screws are required to mount.

FINISH	CODE (FIN)
MATTE ALUMINUM	MAL
POLISHED CHROME	CR
MATTE NICKEL	MNL
OIL RUBBED BRONZE	ORB
MATTE BRASS	MBS
POLISHED BRASS	BS