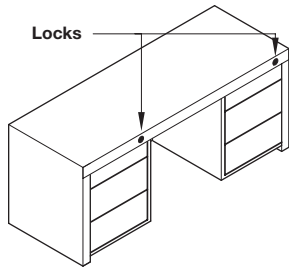


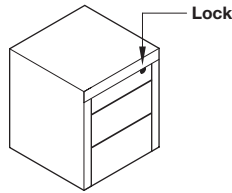
**Modular Removable Core Locking System – Timberline**

- Minimizes interference with hanging files
- Permits locking from the front in a fixed position in a lock strip or drawer front
- Installs left or right

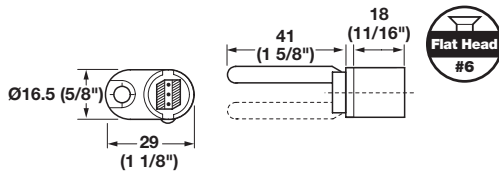
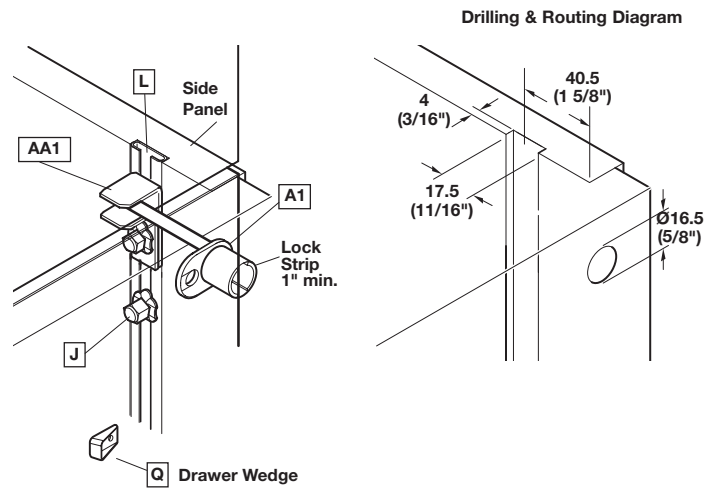
**Typical Applications**



**Desk with Lock**  
Mounted in fixed rail (1" min.)



**Modular Pedestal with Lock**  
Mounted in drawer front

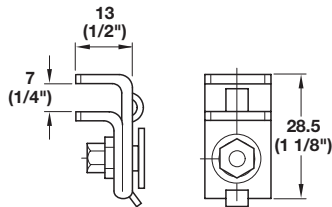


**A1 Half Lock Body with Lifting Pin**

- 180° rotation; 12 mm (1/2") lift

Material: Zinc, die-cast, unfinished

	Timberline No.	Item No.
	CB-101	234.85.109



**AA1 Lockbar Clip**

- To fit lock body **A1**
- Mounts at any location along lockbar **L**

Material: Steel

Finish	Timberline No.	Item No.
zinc-plated	LC-106	234.87.961

Dimensional data not binding. We reserve the right to alter specifications without notice.

Lock cores	page 10.5
<b>L</b> Lockbar	page 10.18
<b>J</b> Arresting pins	page 10.18
<b>Q</b> Drawer wedges	page 10.18
Insertion tool	page 10.18
Miscellaneous strikes	page 10.20
Flat head screws	pages 11.132-11.133, 11.135

Dimensions in mm  
Inches are approximate