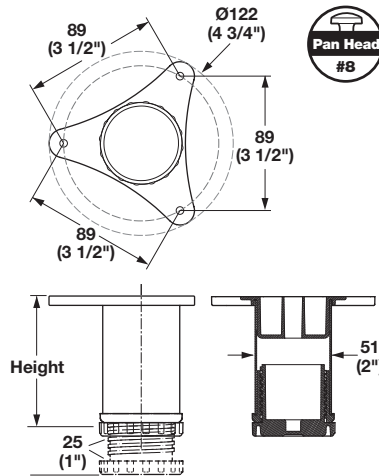


Foot

Material: Steel

Height	Polished Chrome	Brushed Steel
129 (5 1/16")	634.47.201	634.47.401
231 (9 1/8")	634.47.202	634.47.402
433 (17 1/16")	634.47.203	634.47.403



Leveler

- Adjustable
 - Offers customization and flexibility for quick installation
 - Ideal for applications in garage organization
 - Fluted aluminum tube is strong and non-corrosive in damp conditions
 - Tube is easy to cut for custom lengths (saw blade for cutting non-ferrous metals recommended)
 - Adjustable foot is pre-inserted in tube
 - Offers + 25 mm (1") of adjustment
 - Press fit tube onto surface-mounted base plate
 - Base plate can be mounted and used as a glide during production
- Static weight rating: 160 kg (350 lbs.) per leg

Material: Tube: Aluminum

Base plate & foot: Plastic; Color: black

Base Height	Matt Aluminum	Black
90 (3 1/2")	792.01.080	792.01.380
152 (6")	792.01.081	792.01.381
228 (9")	792.01.082	792.01.382
305 (12")	792.01.083	-

Flat head screws	pages 11.132-11.133, 11.135
Pan head screws	pages 11.134-11.135