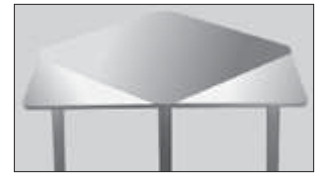


Drop-Leaf Table Fitting

Please Note

- Not recommended for leaf depths over 250 mm (12")
 - Additional sets should be installed at intervals of 500 mm (20")
- Weight carrying capacity 15 kg (33 lbs.)



The table can be enlarged and modified.



Fitting

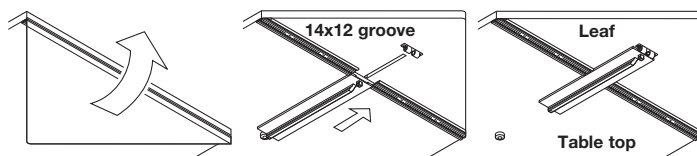
- Sliding support: 360 mm (14 3/16") long
Material: Aluminum; Color: silver anodized
- Guide profile: 180 mm (7 1/8") long
Material: Aluminum; Color: silver anodized
- Flexible hinges: each 500 mm (19 3/4") long
Material: Plastic; Color: natural
- Double ball catch: Material: Brass, unfinished
- Stop buffer: Material: Rubber; Color: black



Item No.
642.40.008

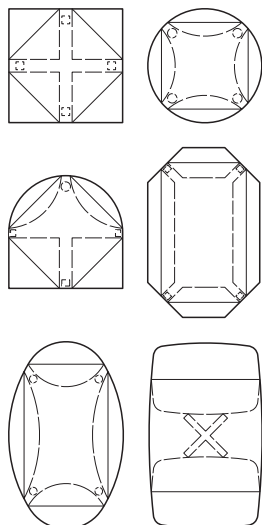
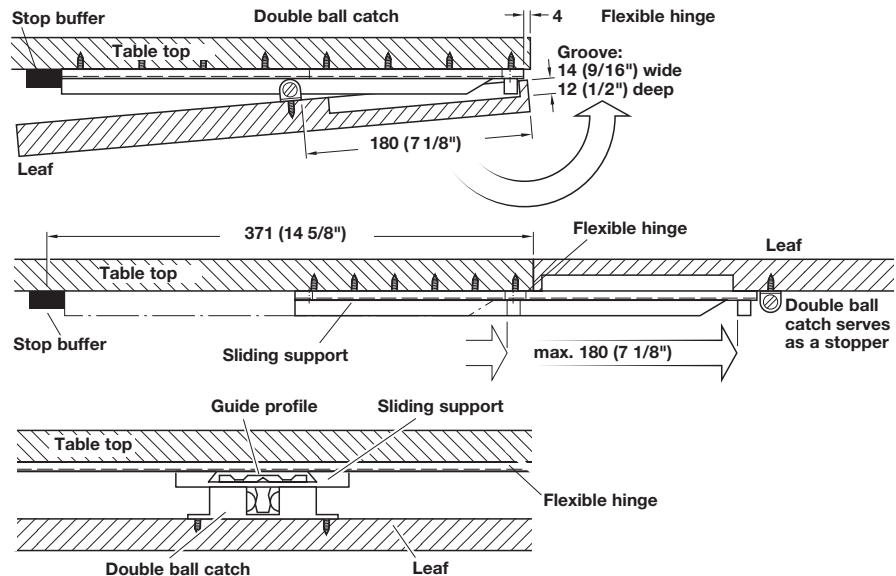
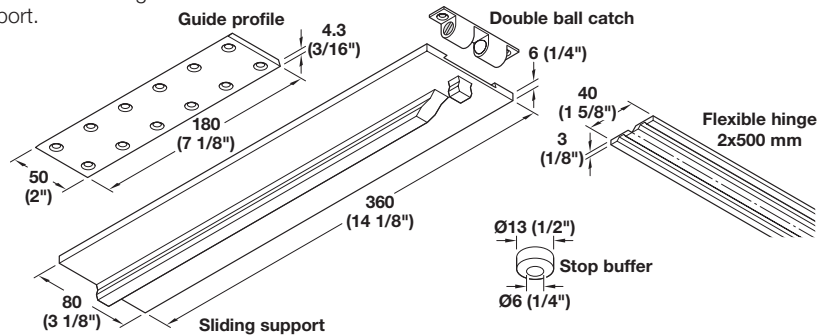
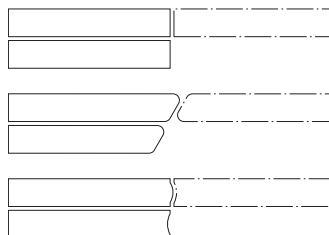
Supplied With

- Sliding support
- Guide profile
- 2 Flexible hinges
- Double ball catch
- Stop buffer



The leaf is retracted and held in place by the ball catch. The leaf is extended. The sliding support must also be extended. The table top rests on the extended sliding support.

Possible table edge profiles:



Dimensional data not binding. We reserve the right to alter specifications without notice.

Flat head screws

pages 11.132-11.133, 11.135

Dimensions in mm
 Inches are approximate