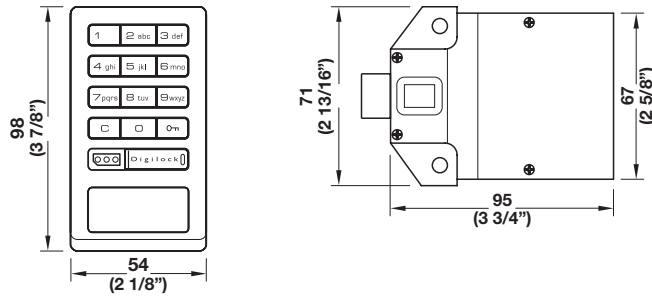
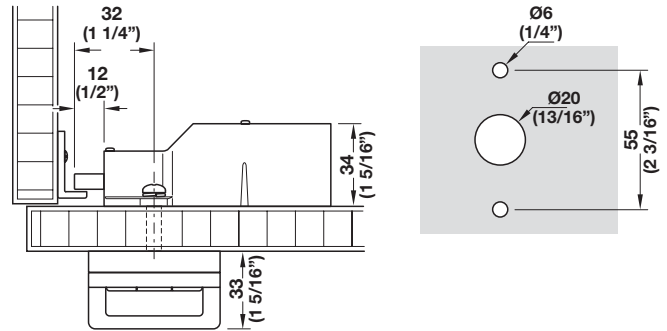


**PIN Code Lock**

- Advanced security
- For wood doors
- Keypad for code entry
- ADA compliant with integrated handle
- With socket for master or programming key
- Visual and acoustic occupancy indicators with low battery alarm
- Choice of locking with individually selected code or permanently assigned code
- For door thickness: 17.5 – 21.7 mm (11/16" – 7/8")
- For left or right hand use
- Surface mounted through drilled holes



**Deadbolt or Latchbolt Lock with Keypad**

L x W x H: 98 x 54 x 33 mm (3 7/8" x 2 1/8" x 1 5/16")

Material: Keypad: Zinc alloy; Finish: bright nickel  
 Keys: Plastic; Housing: Steel; Color: black

Function	Item No.
Deadbolt – Multi-use	231.98.111
Latchbolt – Single-use	231.98.110

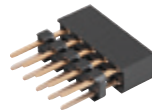
**Supplied With**

- Keypad
- Lock
- 4 AA batteries
- Mounting screws
- Instructions

**Note**

At least one programming key is required for initial programming/start-up.

**Accessories**

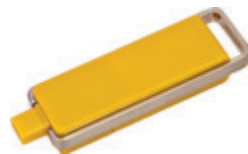


**Extension Set**

- Press-fit
  - For door thicknesses 20 - 25.4 mm (13/16" - 1")
- L x W x H: 4 x 18 x 2 mm (3/16" x 11/16" x 3/32")

Material: Pins: Steel; Color: silver color; Housing: Plastic

Color	Item No.
black	231.98.117



**Programming Key**

- Plugs into lock
  - Trains up to 10 master keys
  - Allows access for forgotten codes or a lost master key
  - Emergency power supply when batteries are low
- L x W x H: 121 x 36 x 21 mm (4 3/4" x 1 7/16" x 13/16")

Material: Plastic

Color	Item No.
yellow	231.98.118



**Master Key**

- Plugs into lock
  - Allows access for forgotten codes or a lost master key
  - Emergency power supply when batteries are low
- L x W x H: 121 x 36 x 21 mm (4 3/4" x 1 7/16" x 13/16")

Material: Plastic

Color	Item No.
black	231.98.119



**User Key**

- Plugs into lock
  - Allows access in place of pin code
- L x W x H: 121 x 36 x 21 mm (4 3/4" x 1 7/16" x 13/16")

Material: Plastic

Color	Item No.
blue	231.98.116

Dimensional data not binding. We reserve the right to alter specifications without notice.