

5" UTILITY HOOK
300.5204.MAL

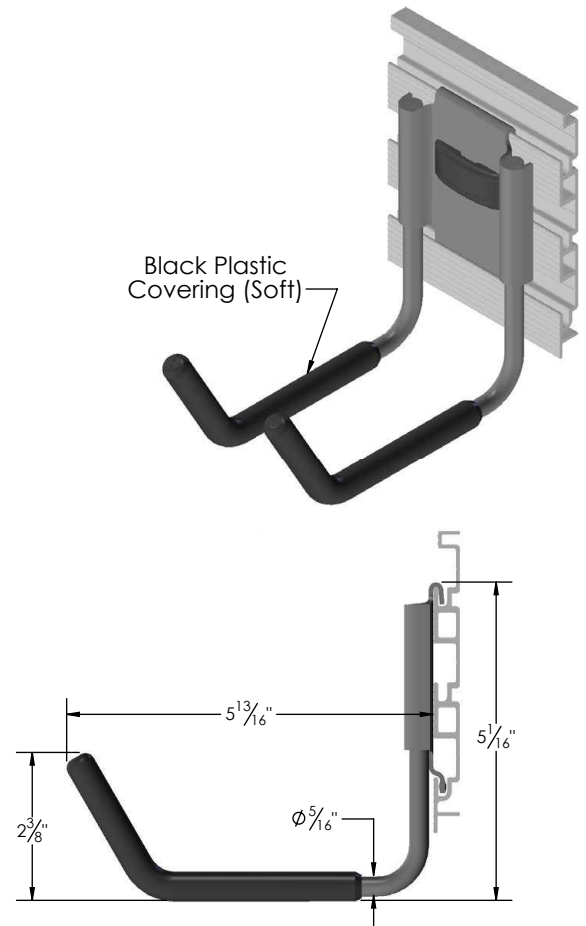
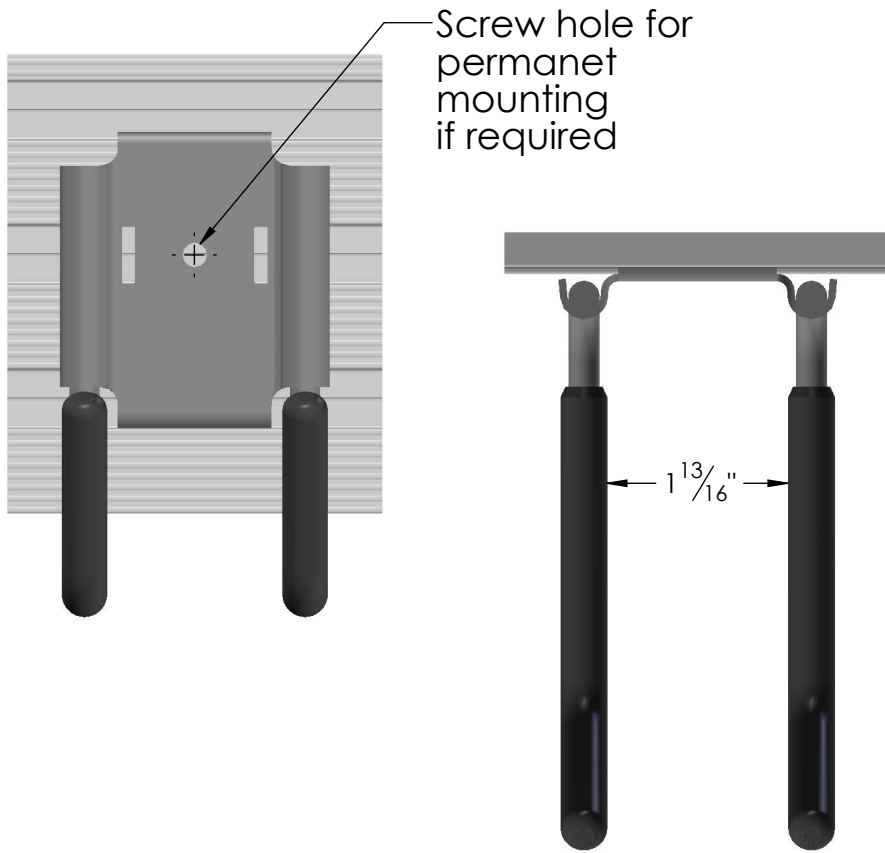
DESCRIPTION & SPECIFICATIONS

The 5" Utility Hook is ideal for larger tools like sledge hammers, axes and pics. It features a soft plastic coating to protect metal tools.

SIZE & CAPACITY | 5" - Heavy Duty

AVAILABLE FINISHES | 

Matte Aluminum.



INSTRUCTIONS & SPECIFICATIONS

- STEP 1: Align the hook above the track panel channels at desired height.
- STEP 2: Position the hook horizontally by sliding it along the track.
- STEP 3: Press the cover cap onto the hook bracket to fix position.

- One Cover Cap 300.5200 required & must be ordered separately
- Hooks & accessories are only intended to be mounted to the track

| FINISH | CODE (FIN) |
|----------------|------------|
| MATTE ALUMINUM | MAL |

| SUGGESTED USES | |
|----------------|--------|
| SLEDGE HAMMER | AXE |
| PIC | MALLET |