

SINGLE HOOK
300.5261.MAL

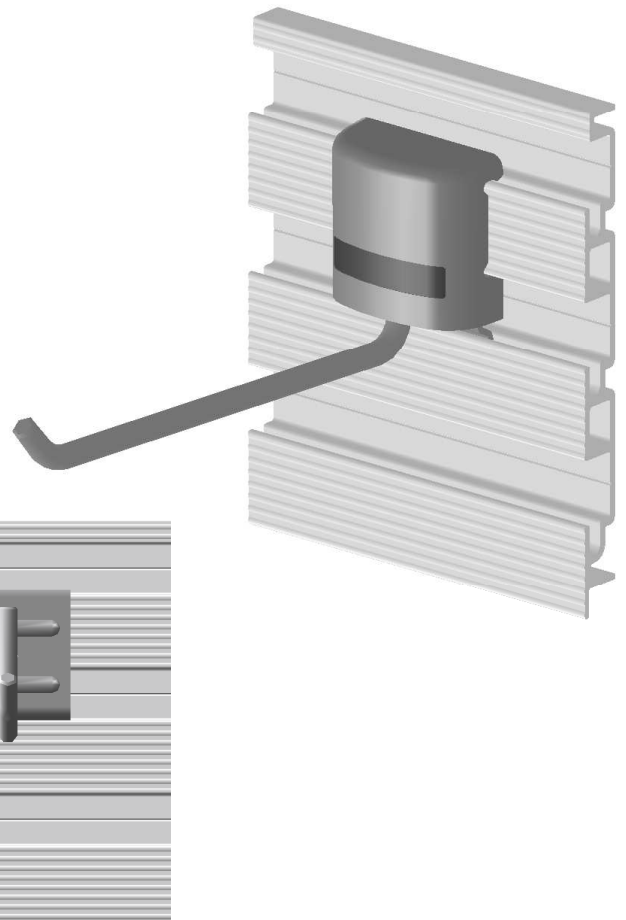
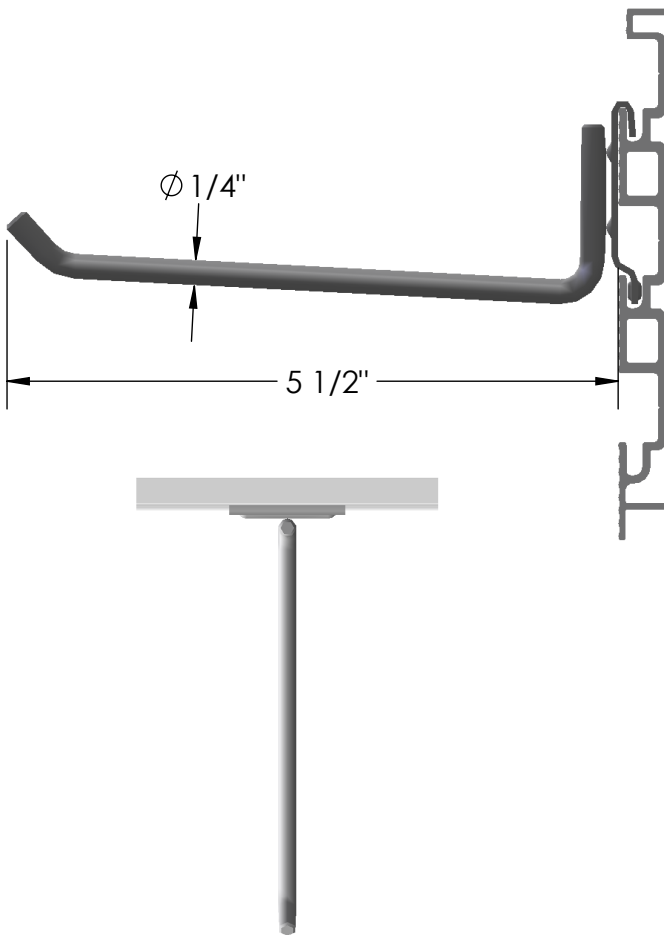
DESCRIPTION & SPECIFICATIONS

The Single Hook provides plenty of storage space for levels, rulers, safety goggles, tape and more. Designed to keep items from slipping off.

SIZE & CAPACITY | Light Duty

AVAILABLE FINISHES | 

Matte Aluminum.



INSTRUCTIONS & SPECIFICATIONS

STEP 1: Align the hook above the track panel channels at desired height.

STEP 2: Position the hook horizontally by sliding it along the track.

STEP 3: Press the cover cap onto the hook bracket to fix position.

- One Cover Cap 300.5230 required & must be ordered separately
- Hooks & accessories are only intended to be mounted to the track

FINISH	CODE (FIN)
MATTE ALUMINUM	MAL

SUGGESTED USES	
LEVEL	RULER
TAPE	SAFETY GOGGLES