



Klappenhalter mit Seilzug
Flap stay with pull cable
Compas d'abattant à câble de commande
Fermo con cavo per ante a ribalta
Compás con tracción de cable

365.47.331	365.47.433	365.47.735
365.47.332	365.47.434	365.47.736
365.47.333	365.47.435	365.47.931
365.47.334	365.47.436	365.47.932
365.47.335	365.47.731	365.47.933
365.47.336	365.47.732	365.47.934
365.47.431	365.47.733	365.47.935
365.47.432	365.47.734	365.47.936

i

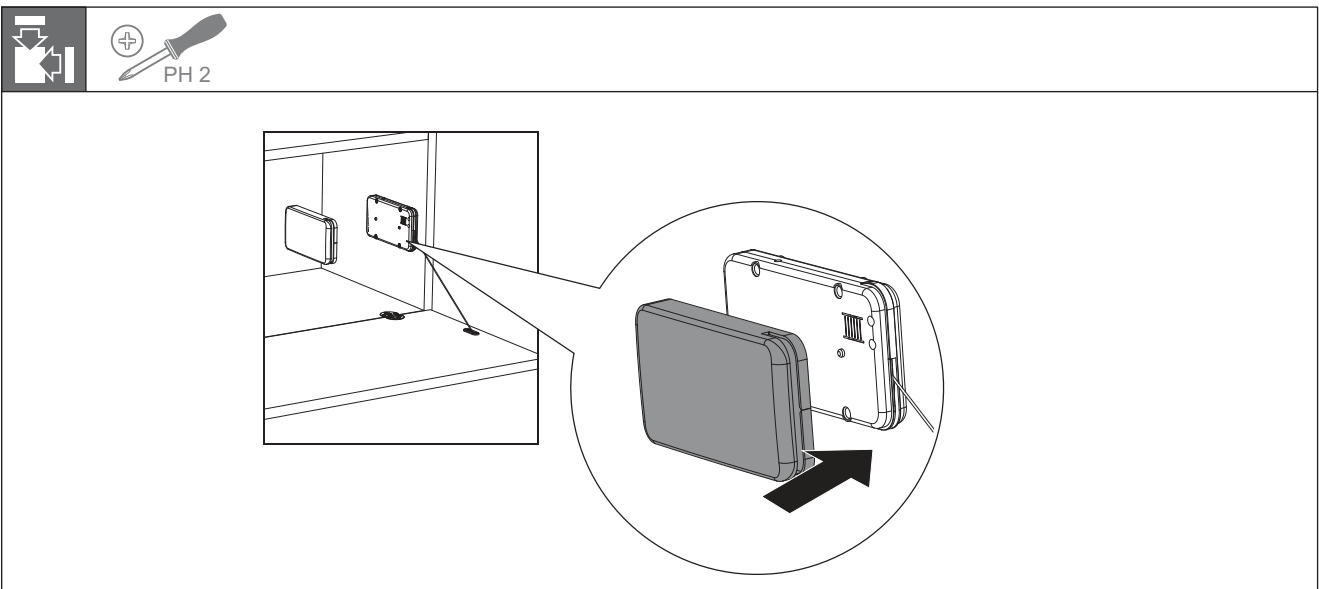
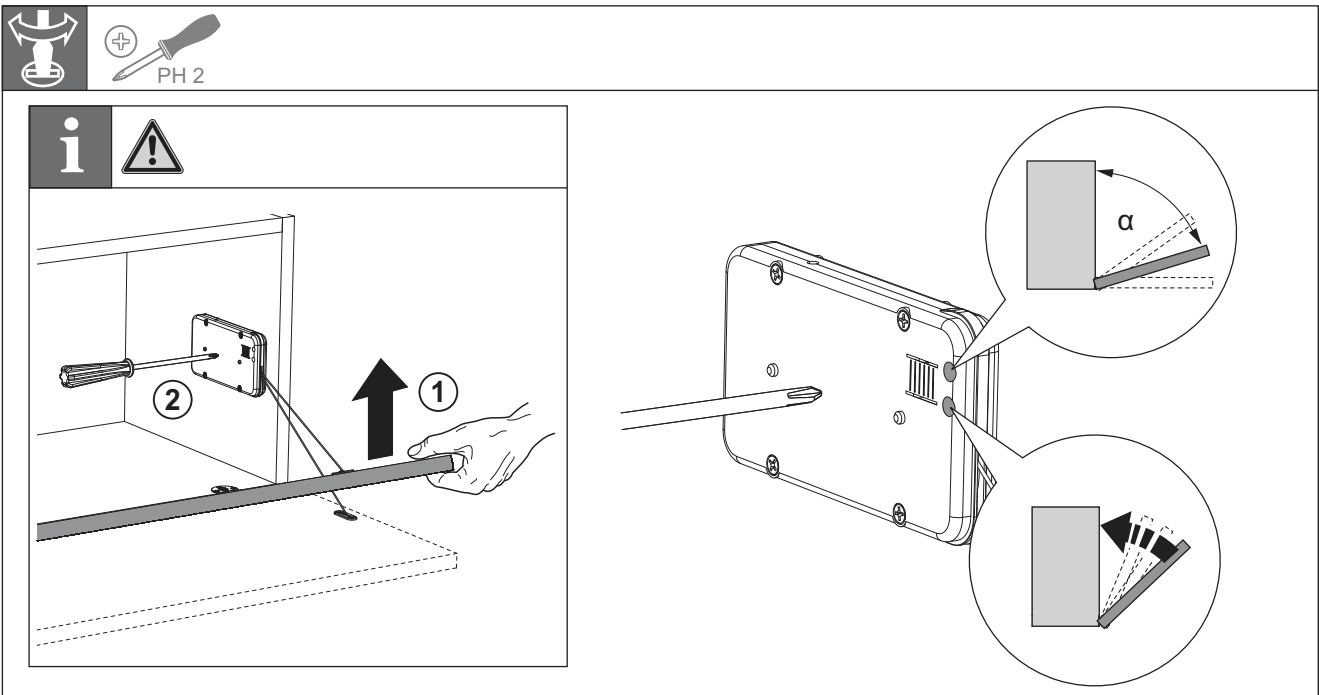
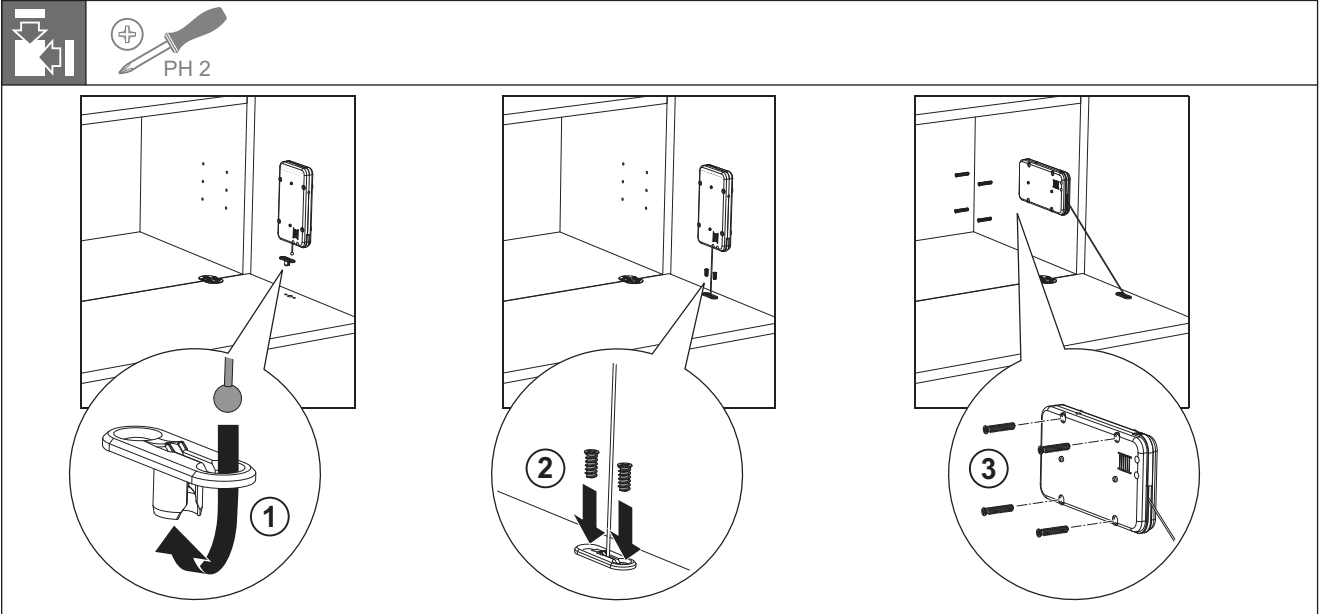
.mm

U	V	W	X
200 - 330	194	102	137 + Z
330 - 430	218	126	161 + Z
430 - 480	228	136	171 + Z

U	X
200 - 480	161 + Z

732.23.055

HDE 04/2015



732.23.055

HDE 04/2015