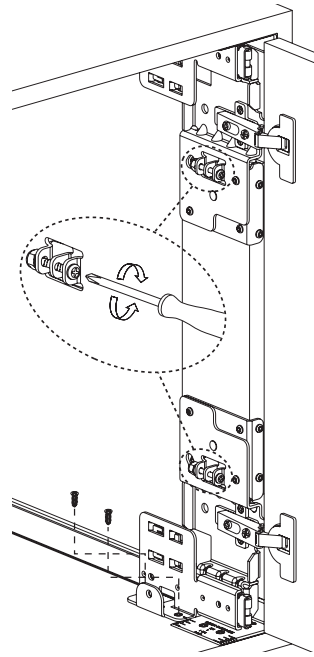
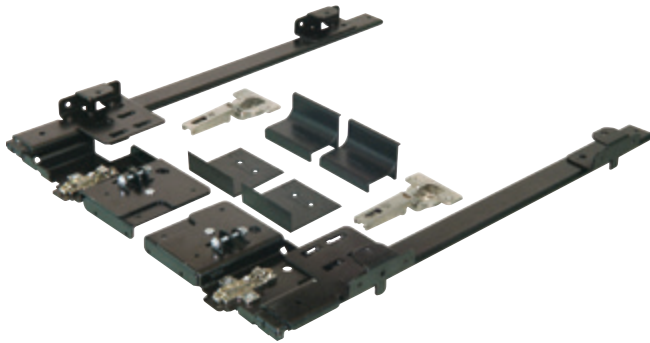


Accuride

- Maximum weight capacity: 13.6 kg (30 lbs.)
 Maximum vertical door sizes: 1067 mm (42") high
 Maximum overlay: 19 mm (3/4")
 Minimum door stile width of 64 mm (2 1/2") is required
 Horizontal doors maximum: 42" width x 24" height
- Slide rollers run across the back of the doors allowing for the use of sculptured doors, applied moldings, or raised panels
 - Auto open feature pushes cabinet doors open the final 32 mm (1 1/4")
 - Hardwood is recommended for the follower (customer supplied)
 - Follower length is the interior opening height minus 279 mm (11")
 - Anti-sag adjustment feature allows for the vertical adjustment of the door, assuring smooth opening and closing

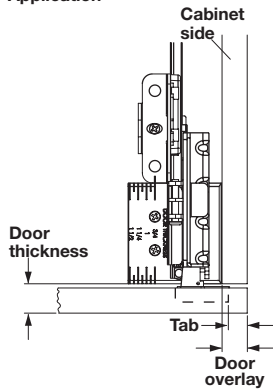


Anti-sag Adjustment

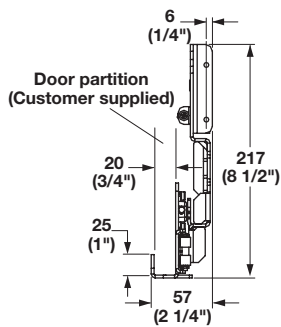
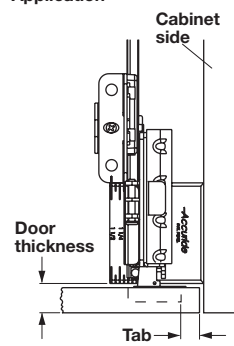
Door thickness	Maximum overlay amount
3/4"	3/4"
7/8"	5/8"
1"	1/2"
1 1/4"	1/4"
1 1/2"	Inset

7

Overlay Application



Inset Application



CB 1321 Pro Pocket™

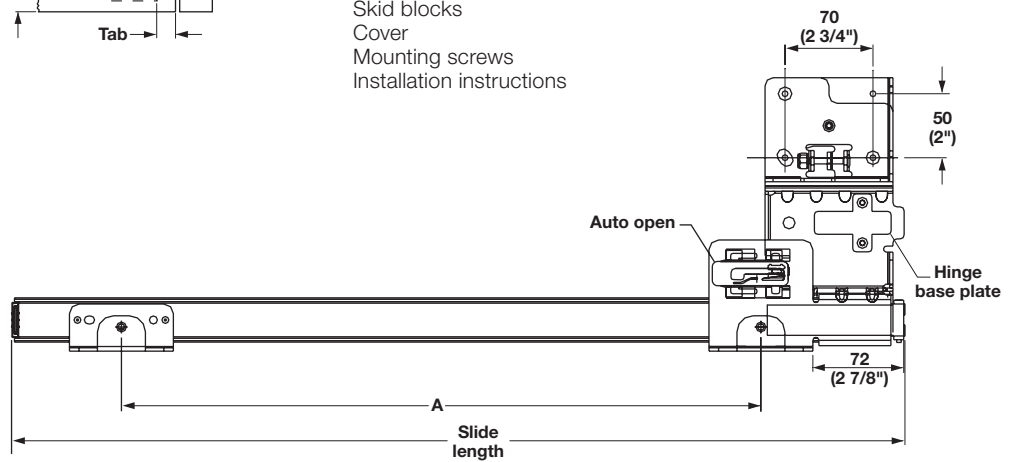
- With 40 mm hinges

Material: Steel; Finish: zinc; Color: black

Length	Travel	A	Item No.
16" (405)	11 3/8" (290)	8" (203)	408.34.341
18" (456)	13 3/8" (340)	10" (254)	408.34.346
20" (506)	15 3/8" (391)	12" (305)	408.34.351
22" (557)	17 3/8" (442)	14" (356)	408.34.356
24" (608)	19 3/8" (493)	16" (406)	408.34.361
26" (659)	21 3/8" (544)	18" (457)	408.34.366
28" (710)	23 3/8" (594)	20" (508)	408.34.371

Supplied With

- 2 Slides with attached base plate
- 2 Hinges and plates
- Skid blocks
- Cover
- Mounting screws
- Installation instructions



Dimensions in mm
 Inches are approximate

- Especially suited for use in larger door cabinets such as home theater applications
- For use with doors up to 60" high, 24" wide & weighing up to 35 lbs.
- Accommodates doors up to 1 1/4" thick
- Jigs or fixtures are not required to locate slide top and bottom, integral location tabs locate slides in cabinet
- Adjustment screws allow maximum adjustability, cable tensioning adjustment is located at the slide front
- Easily accessible from front of cabinet
- Steel cable is black nylon coated to reduce friction and enhance appearance
- Cable runs parallel with slide to ensure smooth operation, eliminating excess pressure on slide
- Positive out-stop on slide keeps door in alignment in closed position
- Soft rubber roller on slide front protects door front from scratches and marring
- Minimal installation and adjustment time for lower production costs
- 32 mm compatible
- Patent pending



XL Slide

- With cables attached
- Travel distance = slide length - 114 mm (4 1/2")

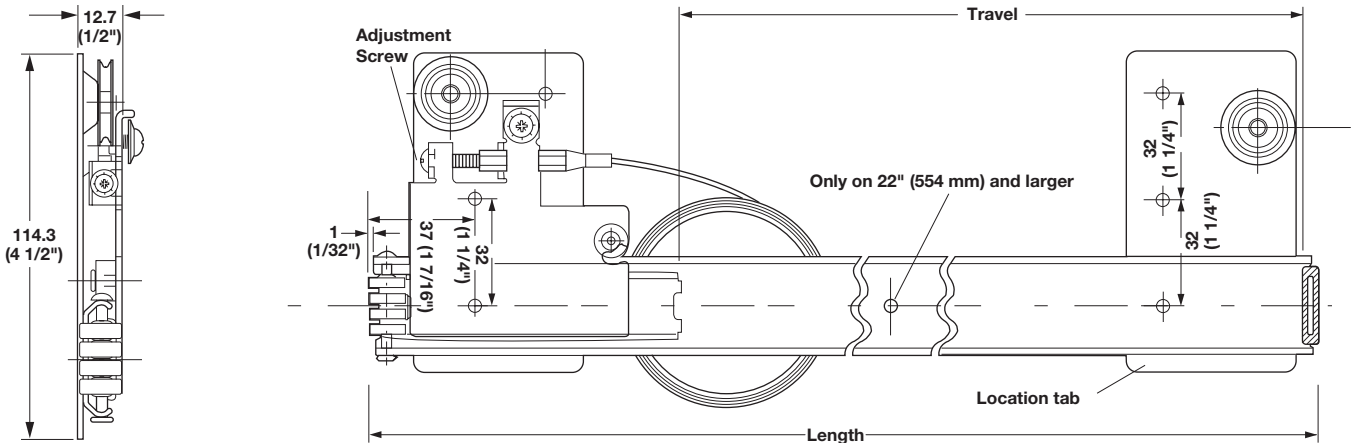
Material: Steel, Zinc-electroplated and Plastic
 Cable: Steel, nylon coated; Color: black

Length	Travel	Item No.
408 (16 1/16")	294 (11 1/2")	408.24.315
440 (17 5/16")	326 (12 7/8")	408.24.324
504 (19 7/8")	390 (15 3/8")	408.24.333
536 (21 1/8")	422 (16 5/8")	408.24.342
600 (23 5/8")	486 (19 1/8")	408.24.351
664 (26 1/8")	550 (21 3/4")	408.24.360

Note

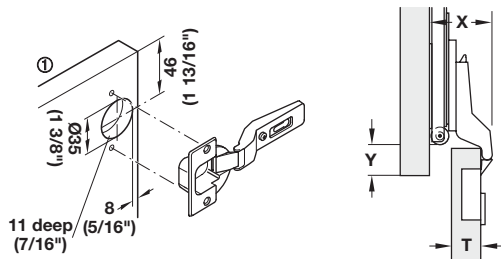
Accessory pack required to complete assembly, refer to next page.

7



Dimensional data not binding. We reserve the right to alter specifications without notice.

XL Slide



35 mm - Inlay Door Accessory Pack

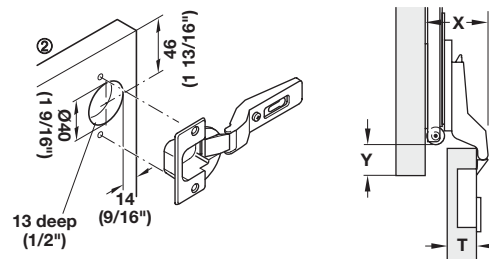
For door thickness 16 – 19 mm (5/8" – 3/4")

	Item No.
self-closing	408.24.020
free-swinging	408.24.050

Supplied With

Mounting instructions

- 4 020.05.211 – M4 x 5 mm – Hinge plate mounting screws
- 4 015.55.639 – 3.5 x 15 mm – Hinge mounting screws
- 2 418.09.300 – Pivot roller
- 2 015.31.675 – Pivot roller mounting screw
- 10 013.03.304 – Slide mounting screws
- 2 329.31.502 – 94°, 35 mm cup hinge, self-closing, or
- 2 329.31.002 – 94°, 35 mm cup hinge, free swinging
- 2 329.71.503 – Clip mounting plate, with single screw adjustment



40 mm - Inlay Door Accessory Pack

For door thickness 19 – 32 mm (3/4" – 1 1/4")

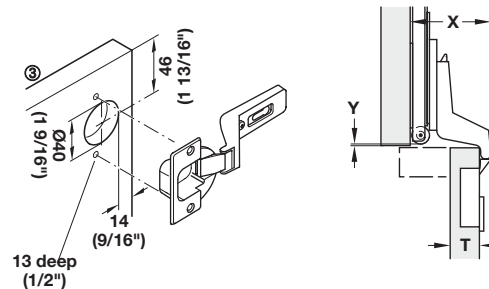
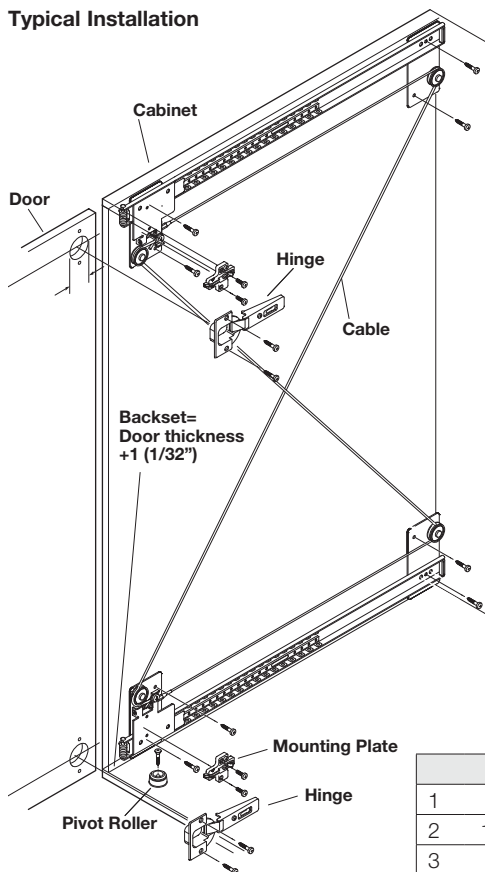
	Item No.
self-closing	408.24.002
free-swinging	408.24.004

Supplied With

Mounting instructions

- 4 020.05.211 – M4 x 5 mm – Hinge plate mounting screws
- 4 015.55.639 – 3.5 x 15 mm – Hinge mounting screws
- 2 418.09.300 – Pivot roller
- 2 015.31.675 – Pivot roller mounting screw
- 10 013.03.304 – Slide mounting screws
- 2 329.05.632 – 94°, 40 mm cup hinge, self-closing, or
- 2 329.04.635 – 94°, 40 mm cup hinge, free swinging
- 2 329.71.500 – Clip mounting plate, with single screw adjustment

Typical Installation



40 mm - Overlay Door Accessory Pack

For door thickness 19 – 22 mm (3/4" – 7/8")
 Maximum overlay: 7 mm (1/4")

	Item No.
	408.24.011

Supplied With

Mounting instructions

- 4 020.05.211 – M4 x 5 mm – Hinge plate mounting screws
- 4 015.55.639 – 3.5 x 15 mm – Hinge mounting screws
- 2 418.09.300 – Pivot roller
- 2 015.31.675 – Pivot roller mounting screw
- 10 013.03.304 – Slide mounting screws
- 2 329.05.614 – 94°, 40 mm cup hinge, self-closing
- 2 329.71.500 – Clip mounting plate, with single screw adjustment

Note

When using free swinging hinges it is recommended to use catches.

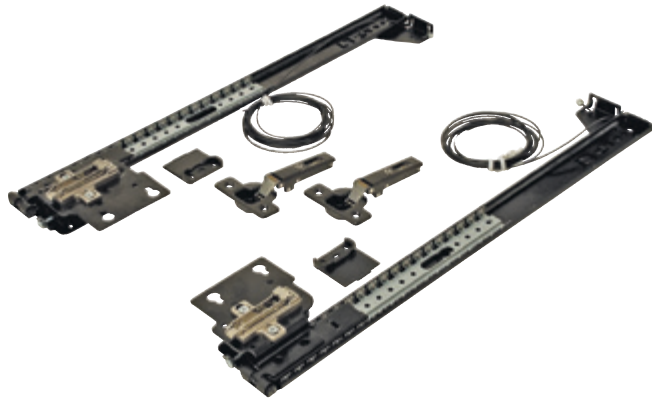
	T	X	Y
1	16 – 19 (5/8" – 3/4")	45 (1 3/4")	T + 1 (1/32")
2	19 – 32 (3/4" – 1 1/4")	64 (2 1/2")	T + 1 (1/32")
3	19 – 22 (3/4" – 7/8")	50 (2")	1 (1/32")

Dimensions in mm
 Inches are approximate

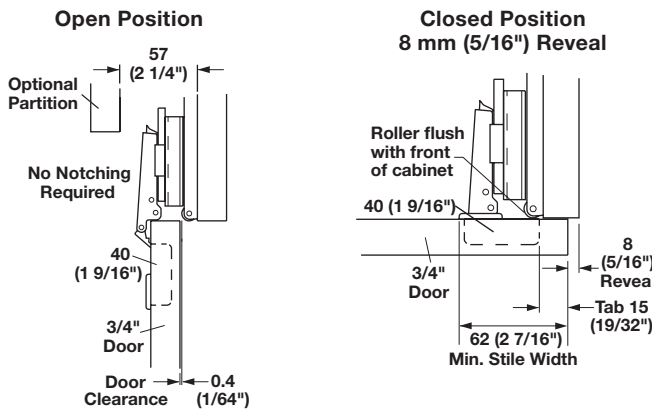
Accuride

Maximum weight capacity: 34 kg (75 lbs.)
 Door thickness: 19 - 32 mm (3/4" - 1 1/4") (for doors 20 mm (13/16") or thicker, please order the optional 40 mm hinge kit)
 Door heights: up to 1981 mm (78") (for doors 914 - 1981 mm (36" - 78") tall, see below for additional hinges required)
 Door width up to 660 mm (26")
 Pocket width: 51 - 64 mm (2" - 2 1/2") depending on door thickness
 Even lengths: 305 - 813 mm (12" - 32")

- Vertically mounted concealed doors
- Entertainment centers, audio-visual conference centers
- Anti-Rak Cable System

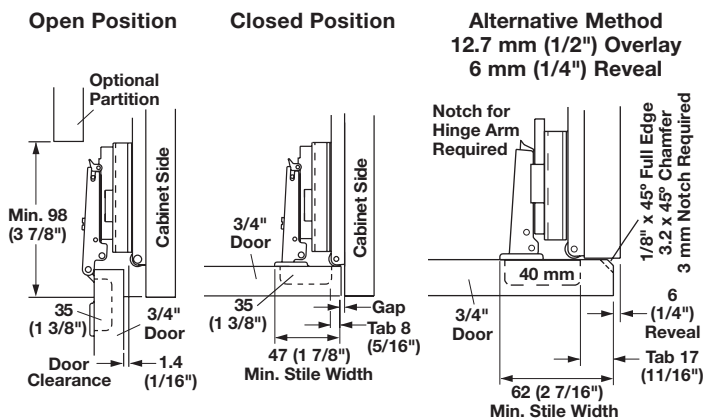


1432 Overlay Application



Note
 Maximum 3/4" door thickness. Requires 0 mm mounting plate - 329.71.500 (order separately).

Flush Inset Application



1332/1432

Material: Steel; Color: black

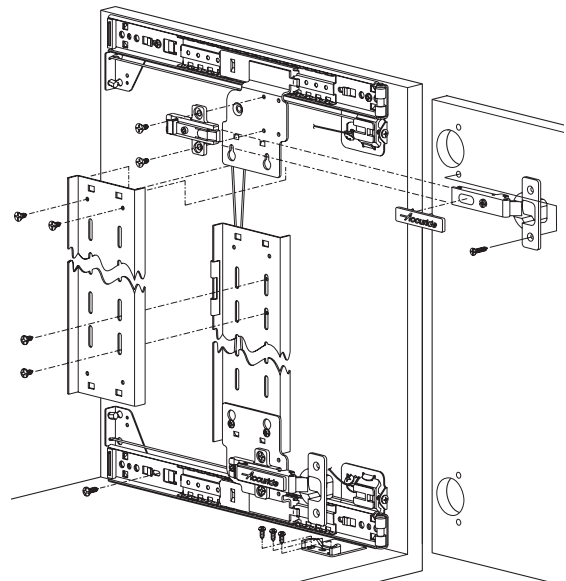
Slide length	Slide Travel	1332 - with 35 mm hinges	1432 - hinges not included
12" (305)	8 1/4" (210)	408.24.430	408.24.530
14" (356)	10 1/4" (261)	408.24.435	408.24.535
16" (405)	12 1/2" (312)	408.24.441	408.24.541
18" (456)	13 1/2" (343)	408.24.446	408.24.546
20" (506)	15 1/2" (394)	408.24.451	408.24.551
22" (557)	17 1/2" (445)	408.24.456	408.24.556
24" (608)	19 1/2" (496)	408.24.461	408.24.561
26" (659)	21 1/2" (546)	408.24.466	408.24.566
28" (710)	23 1/2" (597)	408.24.471	408.24.571
30" (762)	25 1/2" (648)	408.24.476	408.24.576
32" (813)	27 1/2" (699)	408.24.481	408.24.581

1332 Supplied With

Hinge kit
 Slide mounting hardware kit
 Mounting instructions

1432 Supplied With

Slide mounting hardware kit
 Mounting instructions



Dimensional data not binding. We reserve the right to alter specifications without notice.

Dimensions in mm
 Inches are approximate

Accuride 1332/1432 Accessories

Door heights	Number of hinges needed per door
36" – 47"	3
47" – 59"	4
59" – 71"	5
71" – 78"	6

Note

Order the proper number of kits per door based on door height.

35 mm (1 3/8") Hinge Kit

- For inset 3/4" thick doors

Material: Steel

Color/Finish	Item No.
black	408.27.070
zinc	408.24.071

Supplied With

- 2 Hinges
- 2 Mounting plates
- 2 Spacers
- 4 Wood screws

40 mm (1 5/8") Hinge Kit

Material: Steel; Finish: zinc

Door thickness	Item No.
7/16" overlay for doors up to 3/4"	408.24.075
inset for doors 13/16" – 1 1/4"	408.24.074

Supplied With

- 2 Hinges
- 2 Mounting plates
- 2 Spacers
- 4 Wood screws

7

Hinge Carrier Strip Kit

- Required for all doors 36" – 78" tall

Material: Steel

Color/Finish	Item No.
black	408.24.060
zinc	408.24.061

Supplied With

- 2 Hinge carrier strips
- 3 Connector clips
- Mounting screws

Note

Order 2 Hinge Carrier Strip Kits per 2 doors for heights of 36" to 56", and 3 kits for doors 57" to 78".

Connector Clip Kit

Material: Stainless steel

Item No.
408.24.062

Supplied With

- Clip
- 2 #8 x 3/8" pan head screws
- 2 #8 x 5/8" flat head screws

Note

Use 1 Connector Clip at each joint of carrier strip and 1 for every hinge mounted on the carrier strip. They are not required for the hinge mounted directly to the slide. For 2 doors 59" to 71" order 1 Connector Clip Kit. For 2 doors 71" to 78" order 3 Connector Clip Kits.

Dimensional data not binding. We reserve the right to alter specifications without notice.